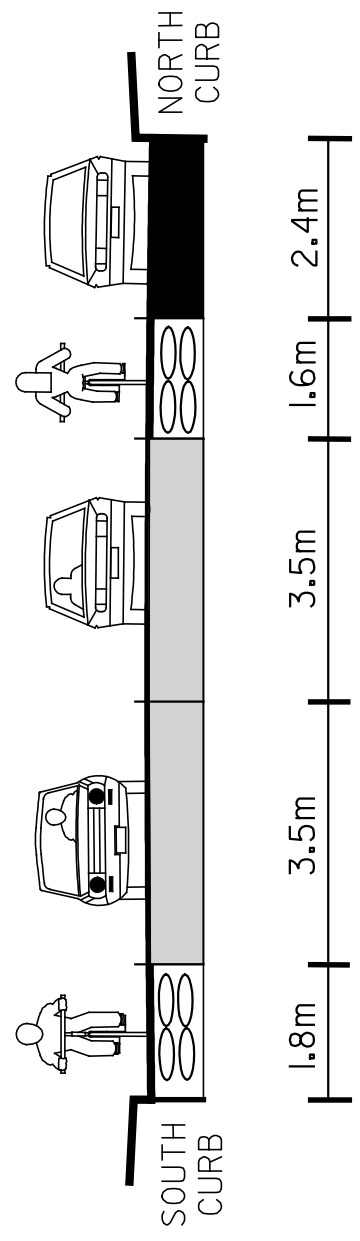





EXISTING CROSS SECTION A - A



PROPOSED CROSS SECTION A - A

LEGEND

-  PARKING LANE
-  BICYCLE LANE
-  GENERAL PURPOSE LANE

**ROGERS ROAD
OLD WESTON ROAD - OAKWOOD AVE.**

P.A.E. AUG 2006
 DWG. NO. 42IP0003

PAVEMENT WIDTH: 12.8m
 CITY OF TORONTO TRANSPORTATION INFRASTRUCTURE MANAGEMENT
 PEDESTRIAN AND CYCLING INFRASTRUCTURE