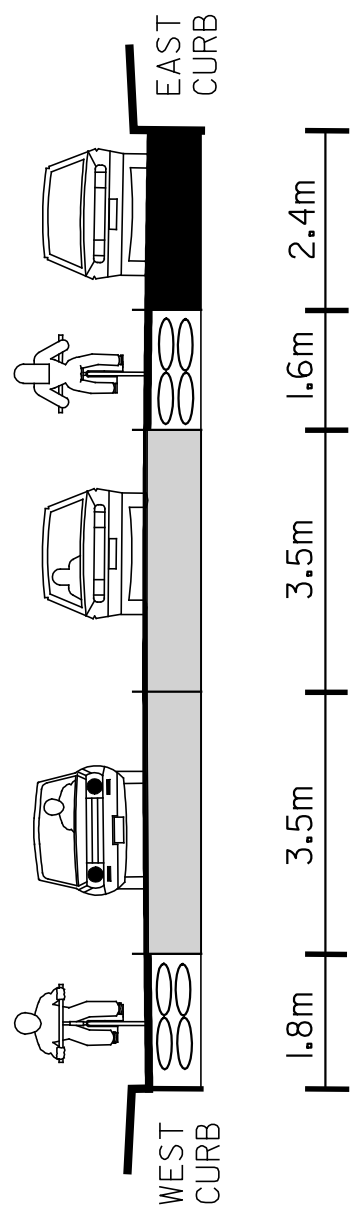





EXISTING CROSS SECTION B - B



PROPOSED CROSS SECTION B - B

LEGEND

-  PARKING LANE
-  BICYCLE LANE
-  GENERAL PURPOSE LANE

CHRISTIE ST ASHWORTH AVE - MELITA AVE

PAVEMENT WIDTH: 12.8m