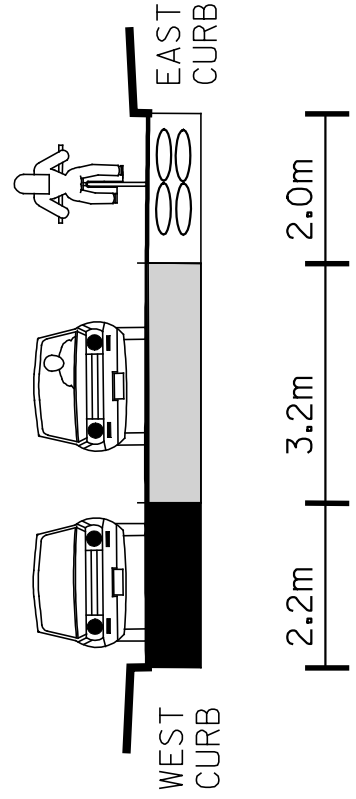


EXISTING CROSS SECTION A - A



PROPOSED CROSS SECTION A - A

LEGEND

-  PARKING LANE
-  CONTRA FLOW BICYCLE LANE
-  GENERAL PURPOSE LANE

KNOX AVE

QUEEN ST E - EASTERN AVE

CROSS SECTION A-A

PAVEMENT WIDTH: 7.4m