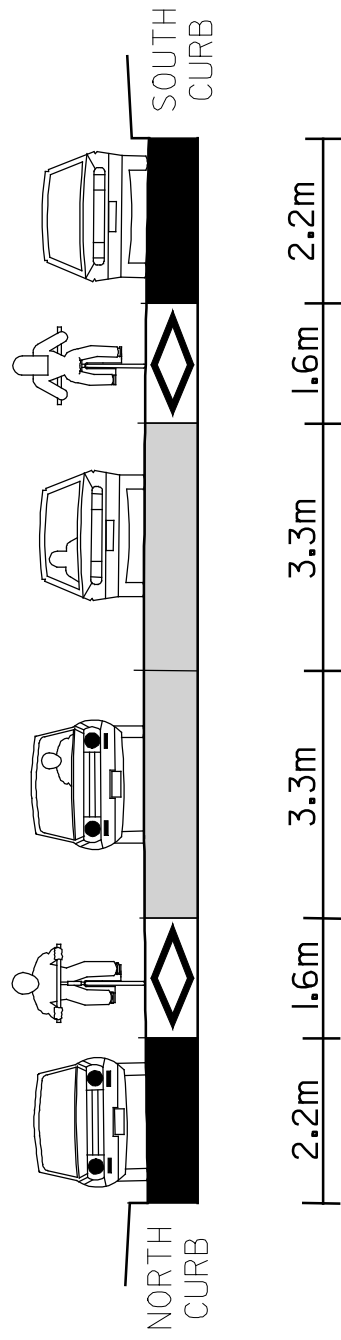





## EXISTING CROSS SECTION A - A



## PROPOSED CROSS SECTION A - A

### LEGEND

-  PARKING LANE
-  BICYCLE LANE
-  GENERAL PURPOSE LANE

# WELLSLEY ST QUEEN'S PARK CRES W - PARLIAMENT ST CROSS SECTION A-A

PAVEMENT WIDTH: 14.2m