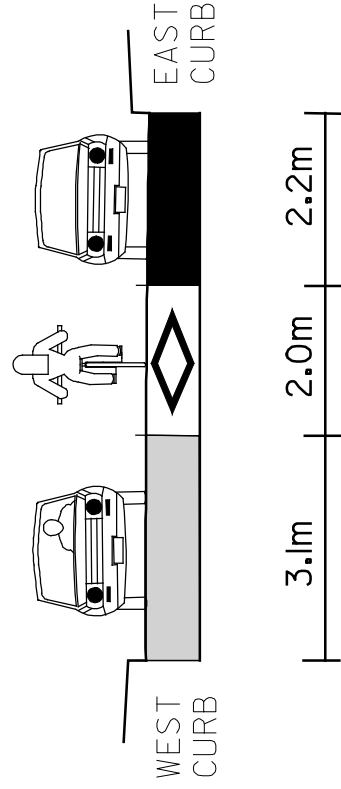





EXISTING CROSS SECTION A - A



PROPOSED CROSS SECTION A - A

LEGEND

-  PARKING LANE
-  BICYCLE LANE
-  GENERAL PURPOSE LANE

SHAW ST BARTON AVE - DUPONT ST CROSS SECTION A-A

PAVEMENT WIDTH: 7.3m