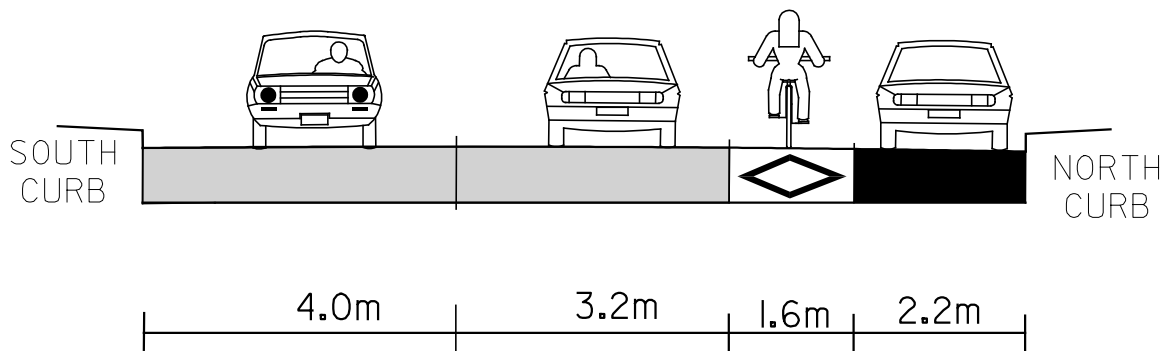




EXISTING CROSS SECTION A - A



PROPOSED CROSS SECTION A - A

LEGEND

-  PARKING LANE
-  BICYCLE LANE
-  GENERAL PURPOSE LANE

VAUGHAN RD ST CLAIR AVE W - WINONA DR CROSS SECTION A-A

PAVEMENT WIDTH: 11.0