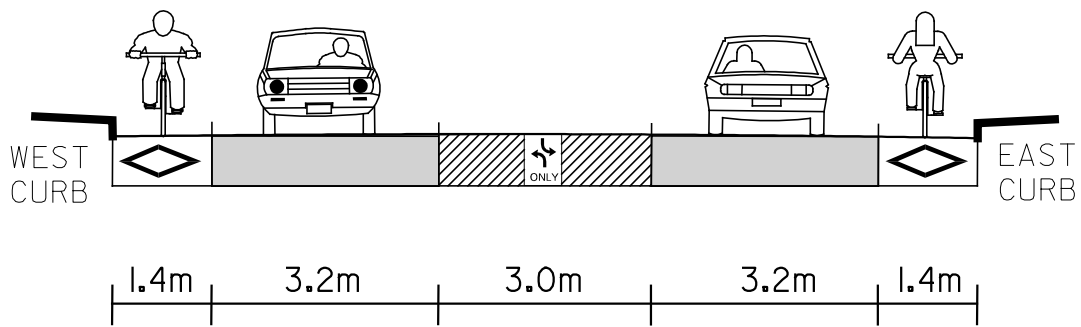






EXISTING CROSS SECTION A - A



PROPOSED CROSS SECTION A - A

LEGEND

-  BICYCLE LANE
-  GENERAL PURPOSE LANE
-  CENTRE LEFT TURN LANE
-  UNDESIGNATED AREA

**MARLEE AVE
ROSELAWN AVE - DELL PARK AVE
CROSS SECTION**

PAVEMENT WIDTH: 12.2m