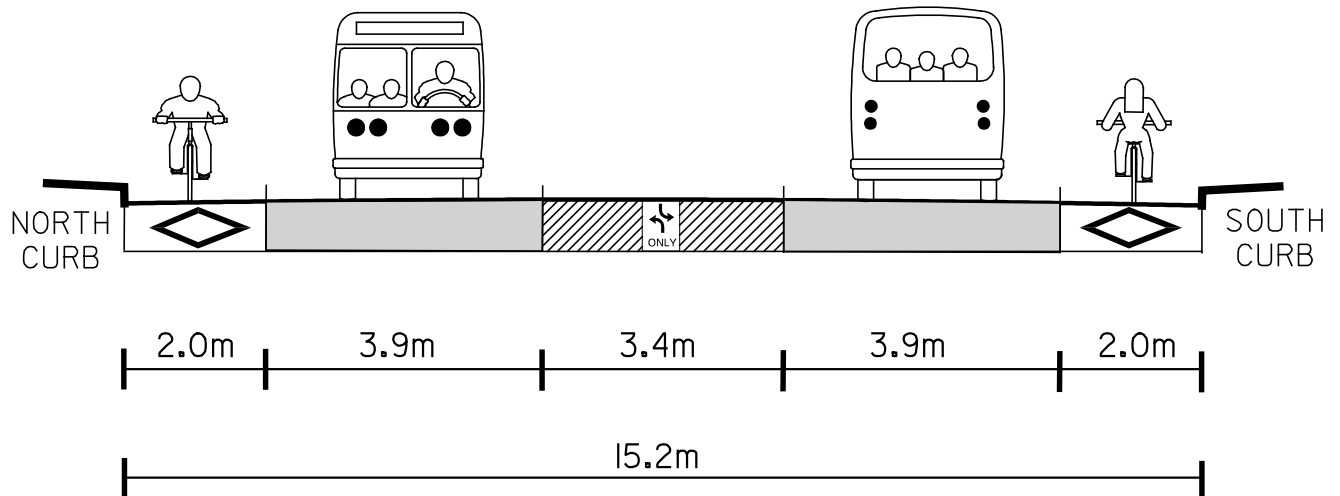


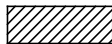


EXISTING CROSS SECTION A - A



PROPOSED CROSS SECTION A - A

LEGEND

-  BICYCLE LANE
-  GENERAL PURPOSE LANE
-  CENTER LEFT TURN LANE

**HORNER AVE:
BROWNS LINE - JUDSON ST
CROSS SECTION A - A**

15.2m