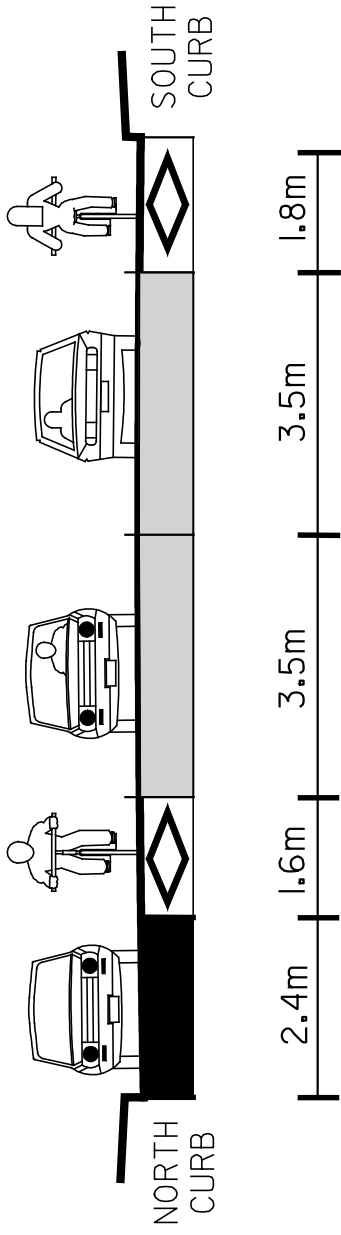





EXISTING CROSS-SECTION A - A



PROPOSED CROSS-SECTION A - A

LEGEND

-  PARKING LANE
-  BICYCLE LANE
-  GENERAL PURPOSE LANE

ANNETTE ST: JANE ST - RUNNYMEDE RD CROSS SECTION A-A PAVEMENT WIDTH: 12.8m