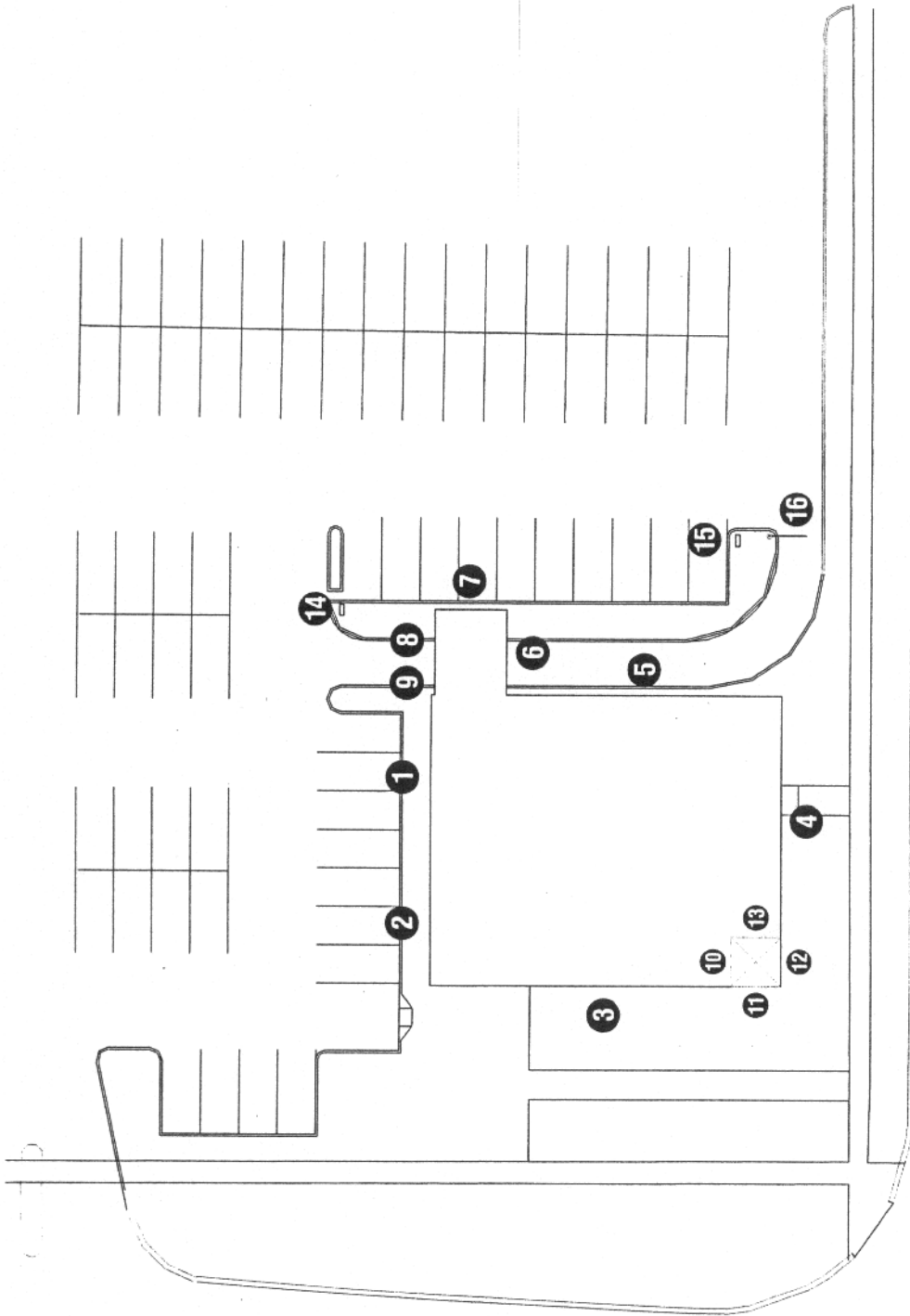


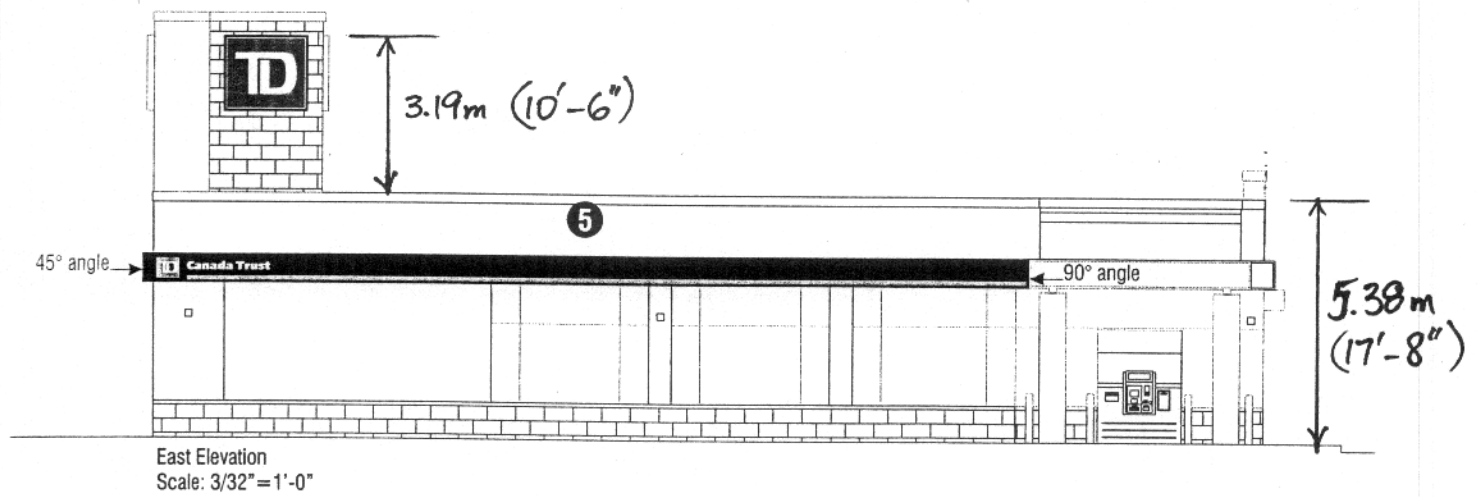
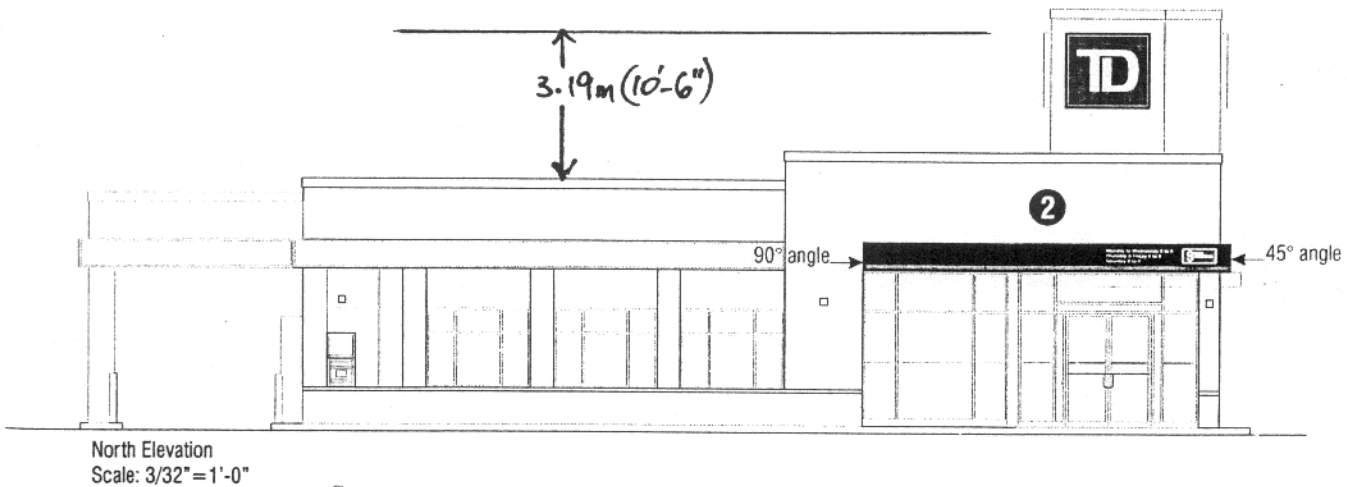
MIDLAND AVENUE



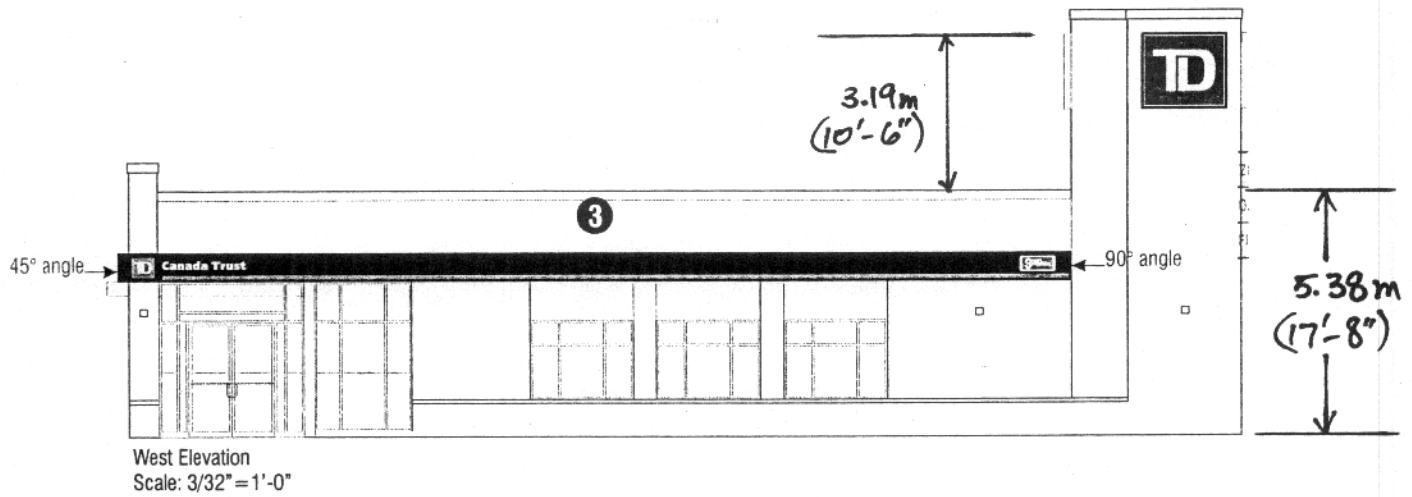
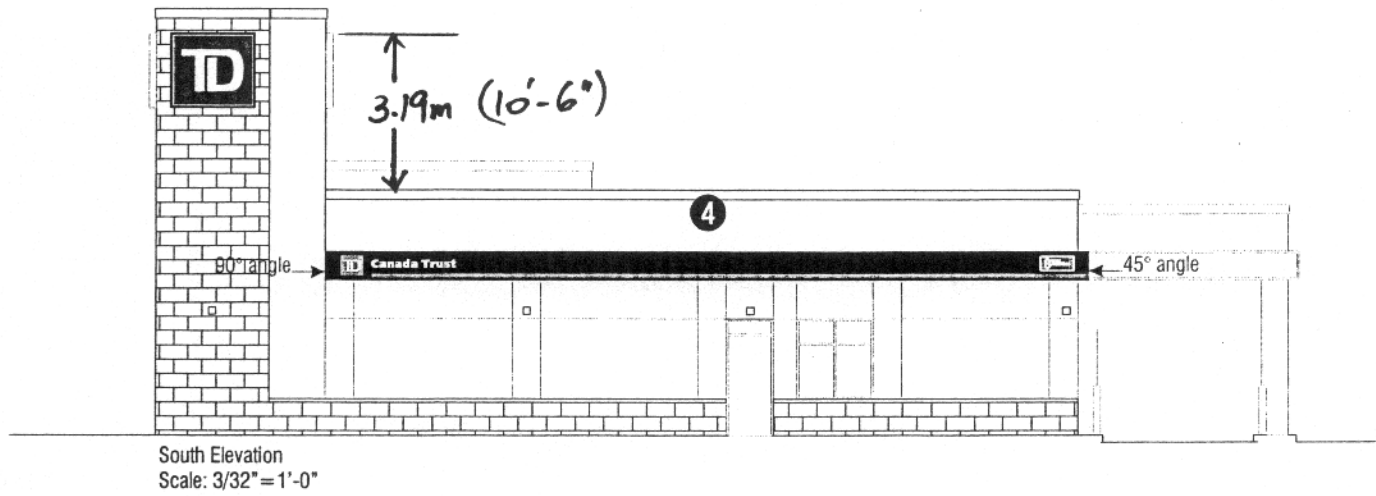
LAWRENCE AVENUE EAST

Attachment 1 - Site Plan





Attachment 3 – Wall Elevations (North and East)



Attachment 4 – Wall Elevations (South and West)