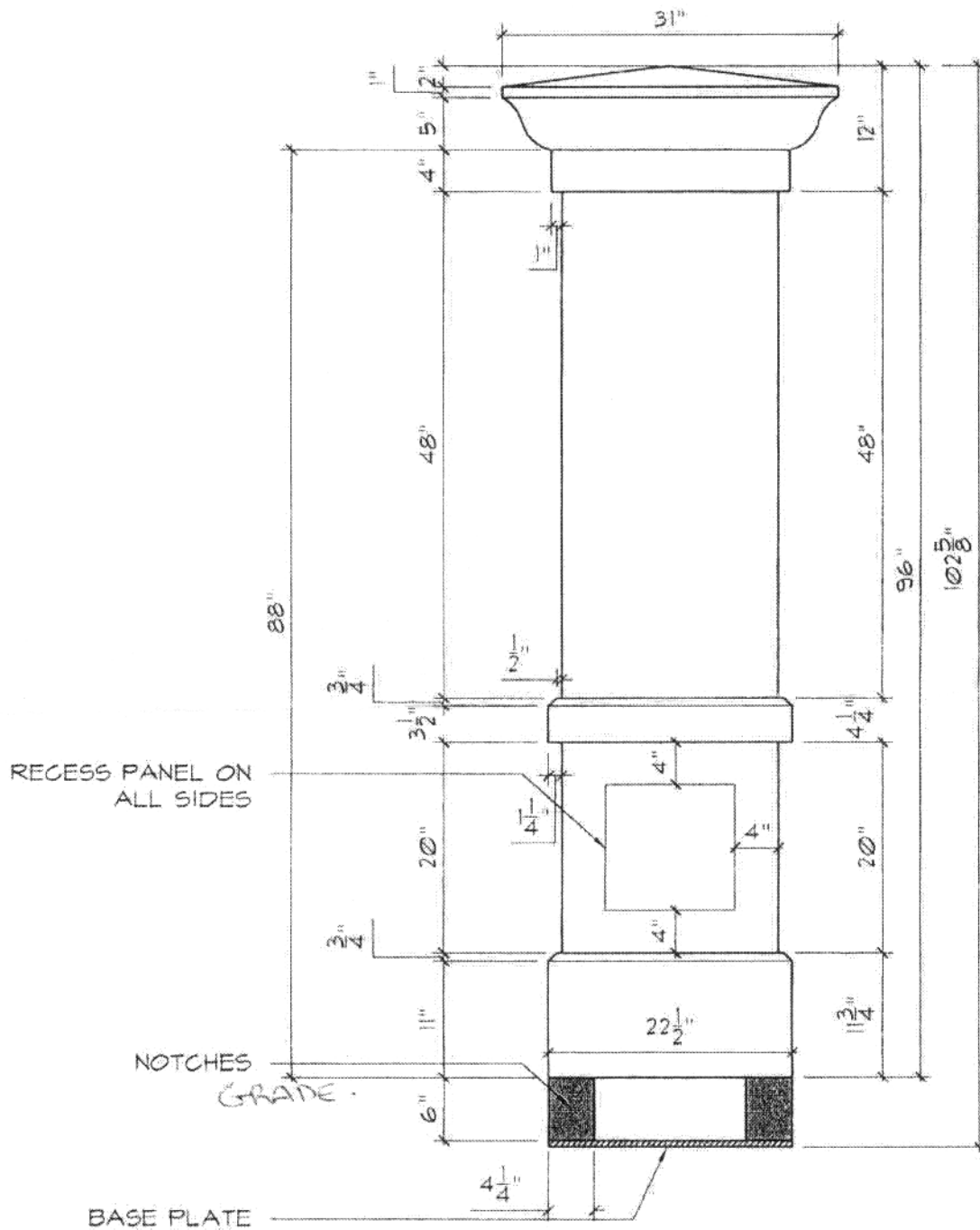



<p>UNLESS OTHERWISE NOTED          ALL DIMENSIONS ARE IN INCHES          FRACTIONAL DIMENSIONS SHALL BE IN 1/8" INCREMENTS          UNLESS OTHERWISE NOTED</p>		<p>DO NOT SCALE DRAWING          SCALE DRAWING          SUBJECT TITLE</p>		<p>DESIGN P.D.          SHEET NO. 1</p>		<p>DATE: April 2 2008          DRAWN BY: DOM</p>		<p>SCALE: NTS</p>		<p>DATE: April 2 2008          DRAWN BY: DOM</p>		<p>DESIGN P.D.          SHEET NO. 1</p>		<p>DATE: April 2 2008          DRAWN BY: DOM</p>		<p>DESIGN P.D.          SHEET NO. 1</p>		<p>DATE: April 2 2008          DRAWN BY: DOM</p>	
<p>EUROPEAN WROUGHT IRON WORKS</p>										<p>Fence Details</p>									
<p>DESCRIPTION</p>										<p>DESCRIPTION</p>									
<p>DATE</p>										<p>DATE</p>									
<p>REVISIONS</p>										<p>REVISIONS</p>									
<p>1. This drawing is the property of European Wrought Iron Works, Inc. and shall remain the property of European Wrought Iron Works, Inc. unless otherwise stated.</p>										<p>1. This drawing is the property of European Wrought Iron Works, Inc. and shall remain the property of European Wrought Iron Works, Inc. unless otherwise stated.</p>									
<p>2. The design is the property of European Wrought Iron Works, Inc. and shall remain the property of European Wrought Iron Works, Inc. unless otherwise stated.</p>										<p>2. The design is the property of European Wrought Iron Works, Inc. and shall remain the property of European Wrought Iron Works, Inc. unless otherwise stated.</p>									
<p>3. The design is the property of European Wrought Iron Works, Inc. and shall remain the property of European Wrought Iron Works, Inc. unless otherwise stated.</p>										<p>3. The design is the property of European Wrought Iron Works, Inc. and shall remain the property of European Wrought Iron Works, Inc. unless otherwise stated.</p>									
<p>4. The design is the property of European Wrought Iron Works, Inc. and shall remain the property of European Wrought Iron Works, Inc. unless otherwise stated.</p>										<p>4. The design is the property of European Wrought Iron Works, Inc. and shall remain the property of European Wrought Iron Works, Inc. unless otherwise stated.</p>									
<p>5. The design is the property of European Wrought Iron Works, Inc. and shall remain the property of European Wrought Iron Works, Inc. unless otherwise stated.</p>										<p>5. The design is the property of European Wrought Iron Works, Inc. and shall remain the property of European Wrought Iron Works, Inc. unless otherwise stated.</p>									
<p>6. The design is the property of European Wrought Iron Works, Inc. and shall remain the property of European Wrought Iron Works, Inc. unless otherwise stated.</p>										<p>6. The design is the property of European Wrought Iron Works, Inc. and shall remain the property of European Wrought Iron Works, Inc. unless otherwise stated.</p>									
<p>7. The design is the property of European Wrought Iron Works, Inc. and shall remain the property of European Wrought Iron Works, Inc. unless otherwise stated.</p>										<p>7. The design is the property of European Wrought Iron Works, Inc. and shall remain the property of European Wrought Iron Works, Inc. unless otherwise stated.</p>									
<p>8. The design is the property of European Wrought Iron Works, Inc. and shall remain the property of European Wrought Iron Works, Inc. unless otherwise stated.</p>										<p>8. The design is the property of European Wrought Iron Works, Inc. and shall remain the property of European Wrought Iron Works, Inc. unless otherwise stated.</p>									
<p>9. The design is the property of European Wrought Iron Works, Inc. and shall remain the property of European Wrought Iron Works, Inc. unless otherwise stated.</p>										<p>9. The design is the property of European Wrought Iron Works, Inc. and shall remain the property of European Wrought Iron Works, Inc. unless otherwise stated.</p>									
<p>10. The design is the property of European Wrought Iron Works, Inc. and shall remain the property of European Wrought Iron Works, Inc. unless otherwise stated.</p>										<p>10. The design is the property of European Wrought Iron Works, Inc. and shall remain the property of European Wrought Iron Works, Inc. unless otherwise stated.</p>									



The following notes shall apply to all drawings and manufactured components:

- Copyright of this drawing and design is reserved by the Designer & European Wrought Iron Works Ltd. The drawing and all associated intellectual and/or industrial rights are the property of European Wrought Iron Works Ltd. The drawing and the information contained therein may not be reproduced in whole or in part without the written or verbal permission of the designer or European Wrought Iron Works Ltd.
- Drawings are not to be used for construction, all working and construction and dimensions required to produce the work are to be verified and any discrepancies are to be reported to the designer or European Wrought Iron Works Ltd.
- These drawings are not to be used for construction unless noted below as "Issued for Construction".
- All work to be carried out in accordance with the Code and Rules of the authorities having jurisdiction.
- The Designer of these drawings and specifications does not accept any responsibility, in any form, about the constructability of the item represented by them.

	TITLE	Pre-cast Column
	SCALE	NTS.

TOLERANCES INCHES UNLESS OTHERWISE NOTED	DESIGN	P.D.
X 100" ± 0.005" X 1" ± 0.015" FRACTIONAL 1/16" ANGULAR ± 1"	DATE DRAWN	June 22, 2007
	DRAWN BY	DCM

DO NOT MODIFY OR SCALE DRAWING	PROJECT TITLE:	Custom Concrete Gate Pillars - 07 Model
	DESIGN	P.D.
	SHEET NO	2

DRAWING & DESIGN REMAIN THE PROPERTY OF EUROPEAN WROUGHT IRON WORKS LTD.	
FINISH	Custom
DRAWING NUMBER	EW-07
REV	1- A

**Toronto Mahavihara, 4698 Kingston Road,  
Scarborough, ON M1E 2P9**



Figure 1. Panoramic View of the Temple



Figure 2. Image of the temple and its surroundings