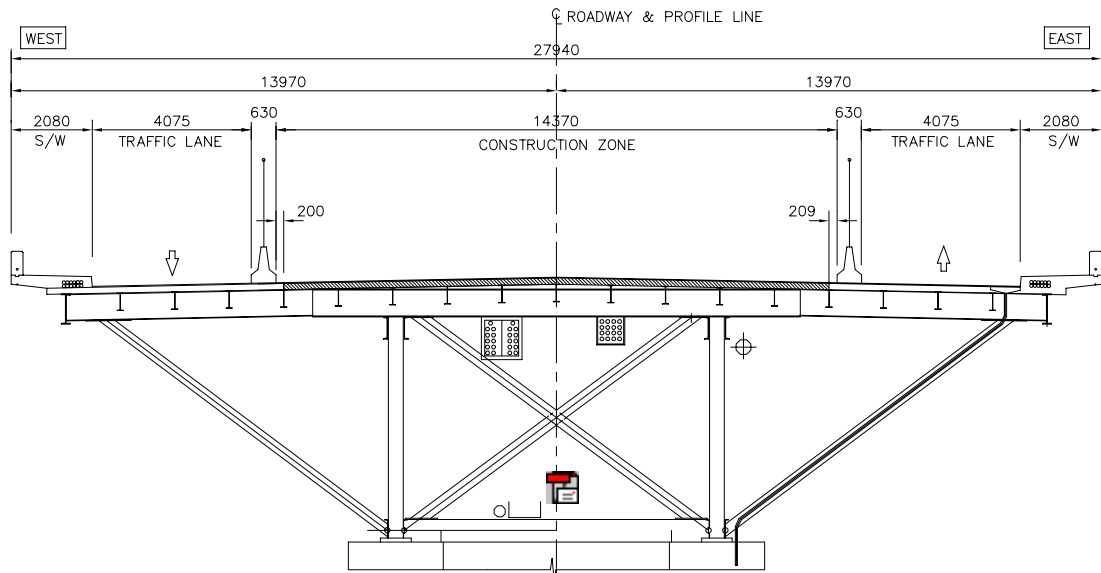
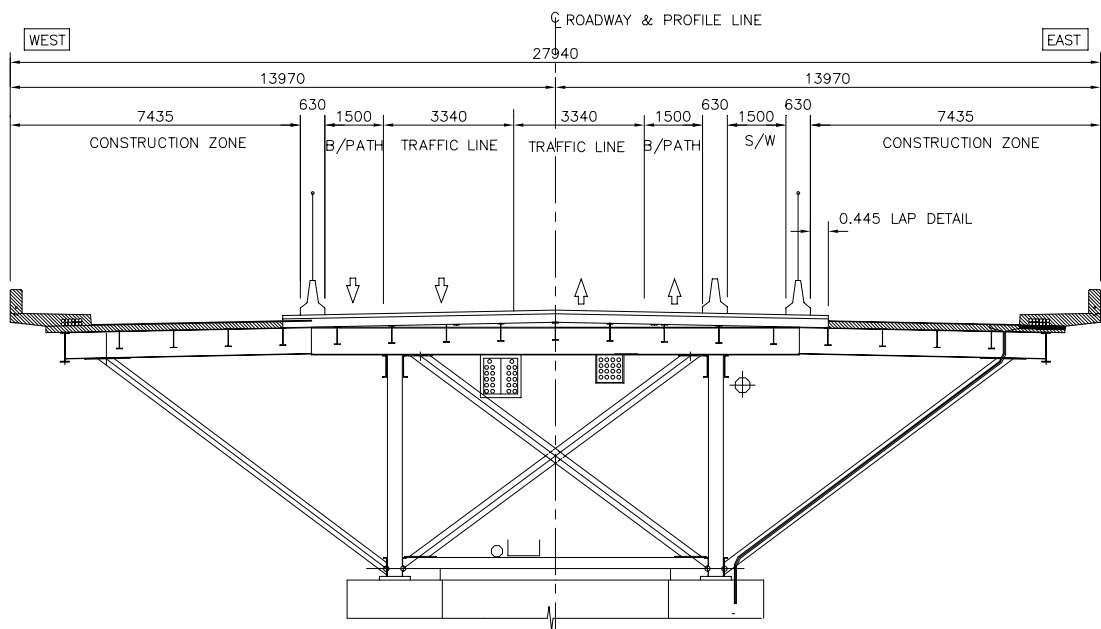


Traffic Management



SECTION A
SCALE 1:100
STAGES 1, 3 AND 5



SECTION B
STAGES 2, 4 AND 6

Traffic Management



- ⌘ Traffic pinch point of 120 meters
- ⌘ Bicycles stay on both sides of the bridge
- ⌘ Pedestrians are provided with designated sidewalk
- ⌘ One lane of traffic in each direction
- ⌘ During the winter closure full traffic is reinstated
- ⌘ TTC will provide information for any bus stop relocation