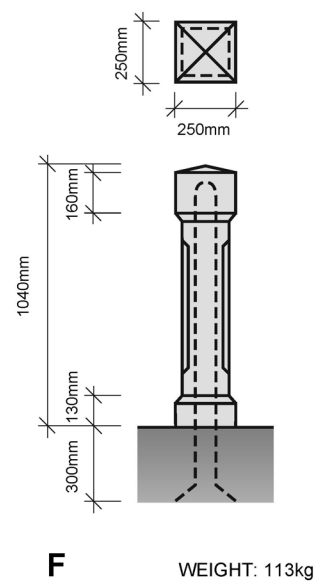
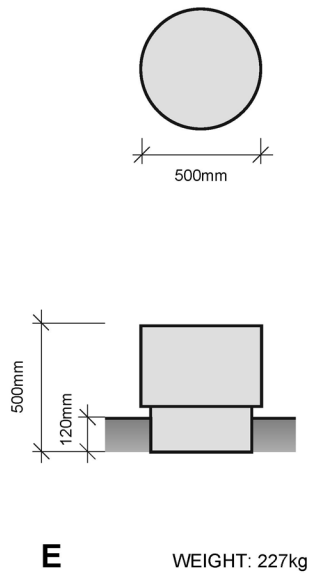
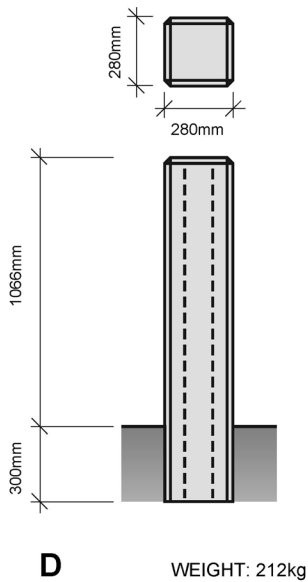
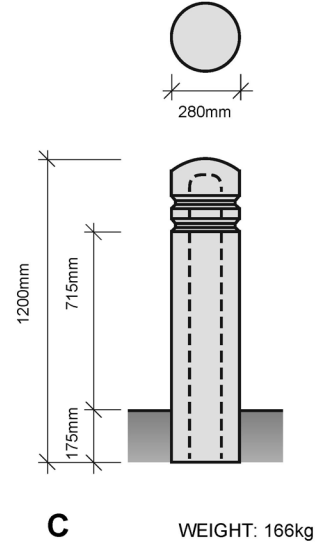
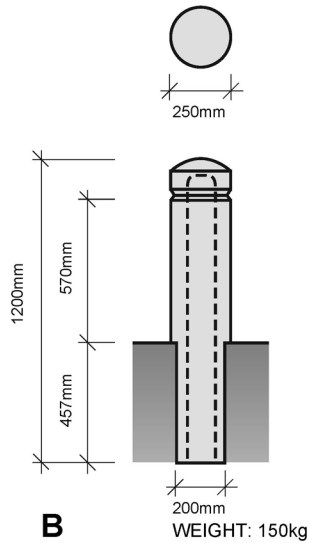
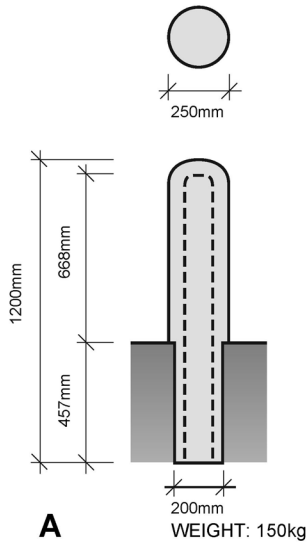


Contents

F-5-1a	Concrete Bollards
F-5-1b	Concrete Bollards
F-5-2	Concrete Bollards with City Logo
F-5-3	Cast Iron Bollards
F-5-4	Decorative Steel Bollard
F-5-5	Swivel "P" Gate Steel Bollard
F-5-6	Steel Bollard
F-5-7	Steel Railing
F-5-8	Stainless Steel Railing
F-5-9	Decorative Aluminum Railing/Splash Guard
F-5-10	Decorative Steel Railing
F-5-11	Decorative Metal Fence
F-5-12	Concrete Vehicle Deflector (TTC/LRT Platforms)

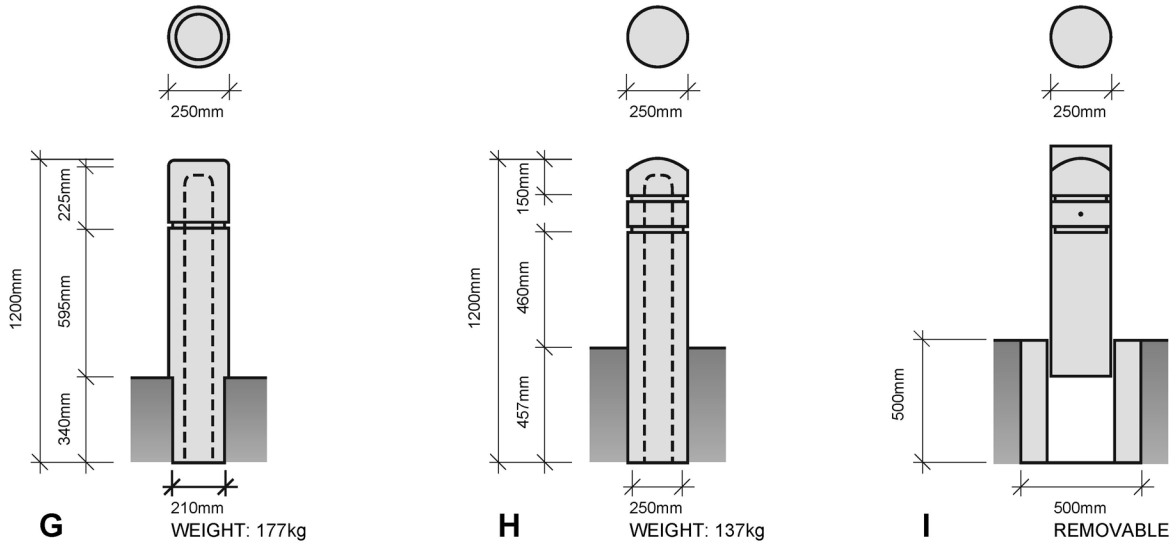
FURNITURE DETAIL

Bollards	
Finishes	Plain or Coloured Concrete
	Exposed Aggregate
	Light or Medium Sandblast
	Acid Etched
Supplier	Streetscape Architectural Precast Products (or equivalent)

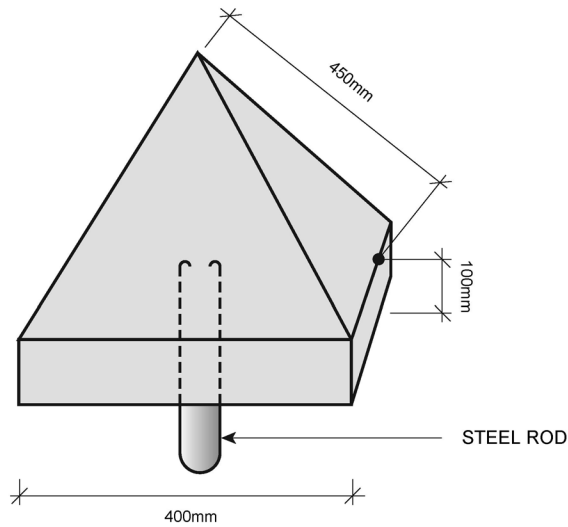


FURNITURE DETAIL

Bollards (continued)	
Finishes	Plain or Coloured Concrete
	Exposed Aggregate
	Light or Medium Sandblast
	Acid Etched
Supplier	Streetscape Architectural Precast Products (or equivalent)



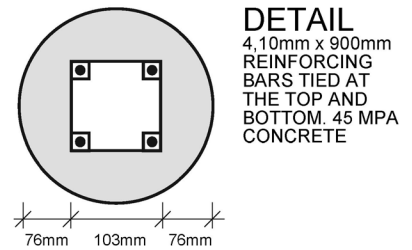
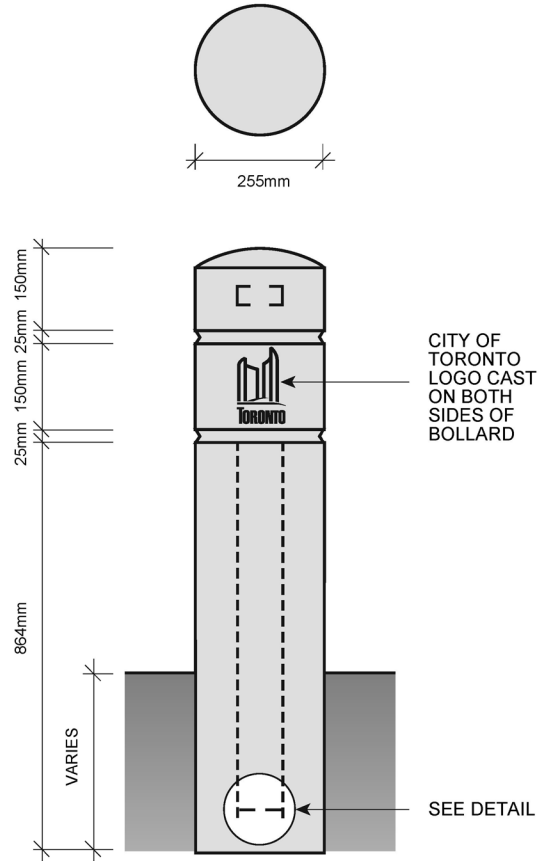
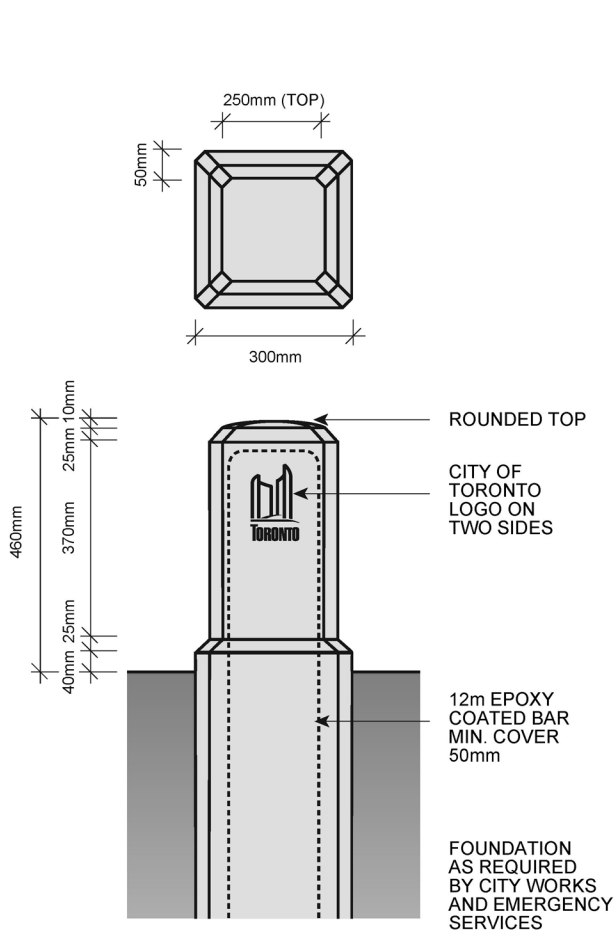
Pyramid Bollard	
Finishes	Plain Concrete
Supplier	Streetscape Architectural Precast Products



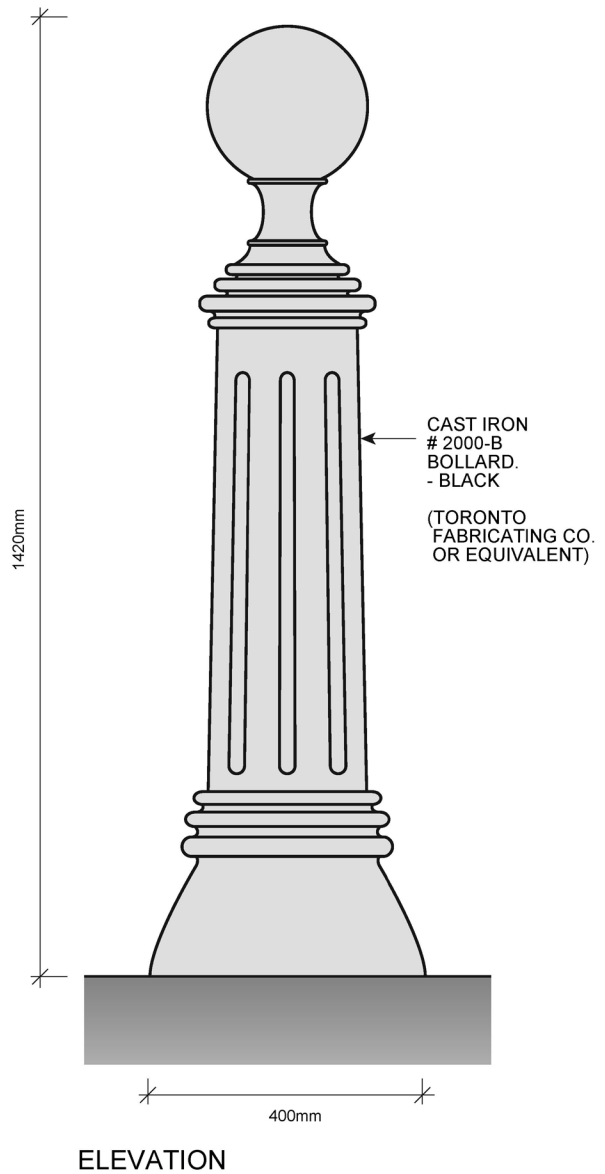
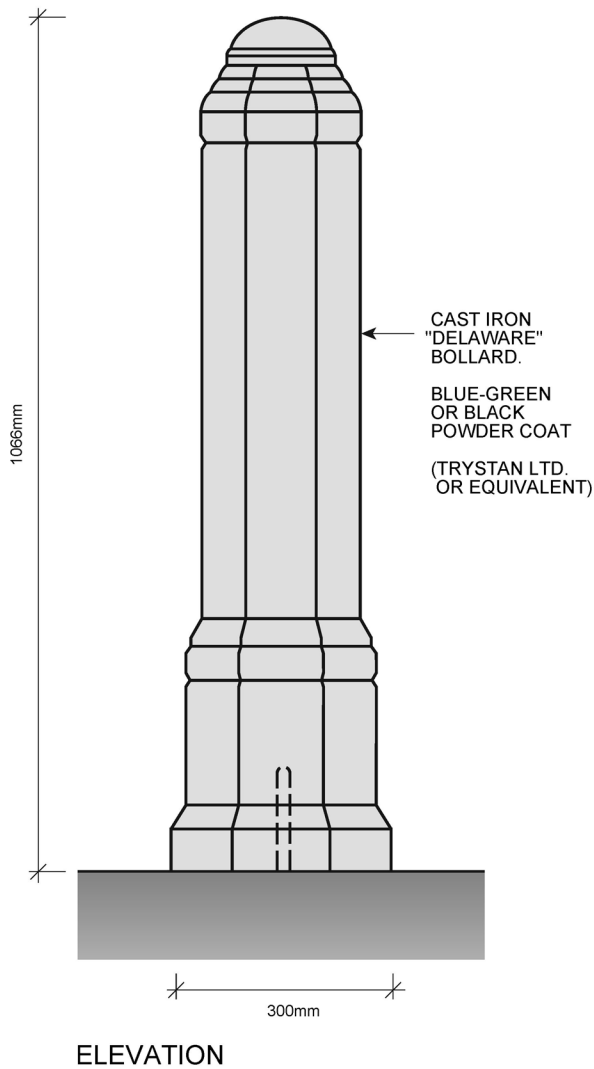
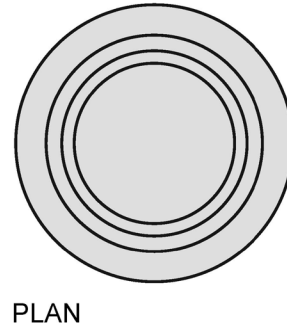
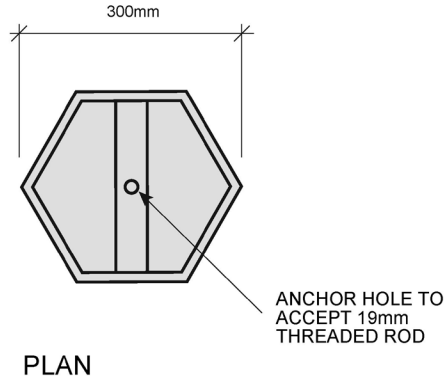
FURNITURE DETAIL

Precast Concrete Bollard with City of Toronto Logo	
Finishes	Aggregate and Terrazzo
Colour	Ottawa Red

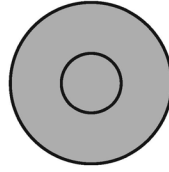
Precast Concrete Bollard with City of Toronto Logo	
Finishes	Plain or Coloured Concrete
Colour	



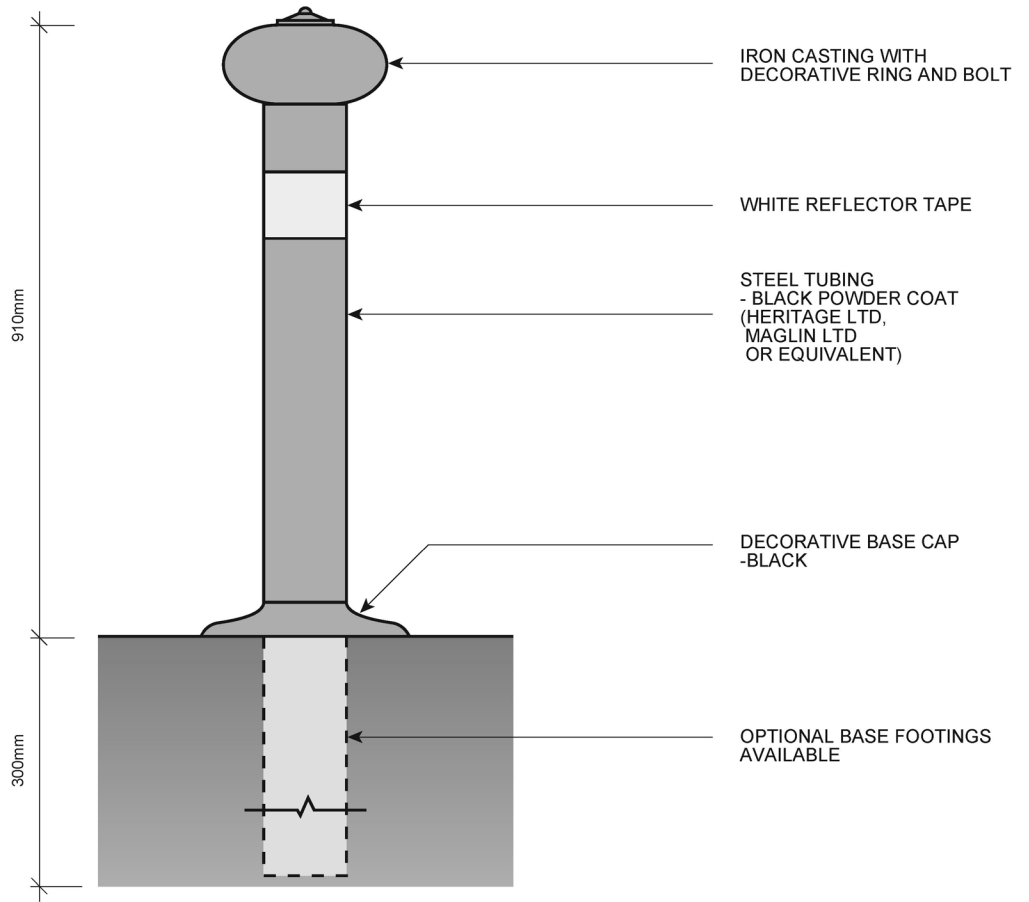
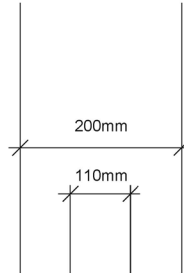
FURNITURE DETAIL



FURNITURE DETAIL

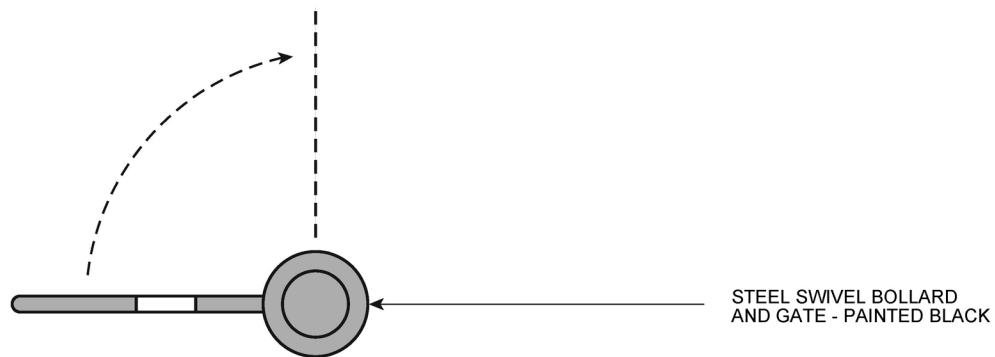


PLAN

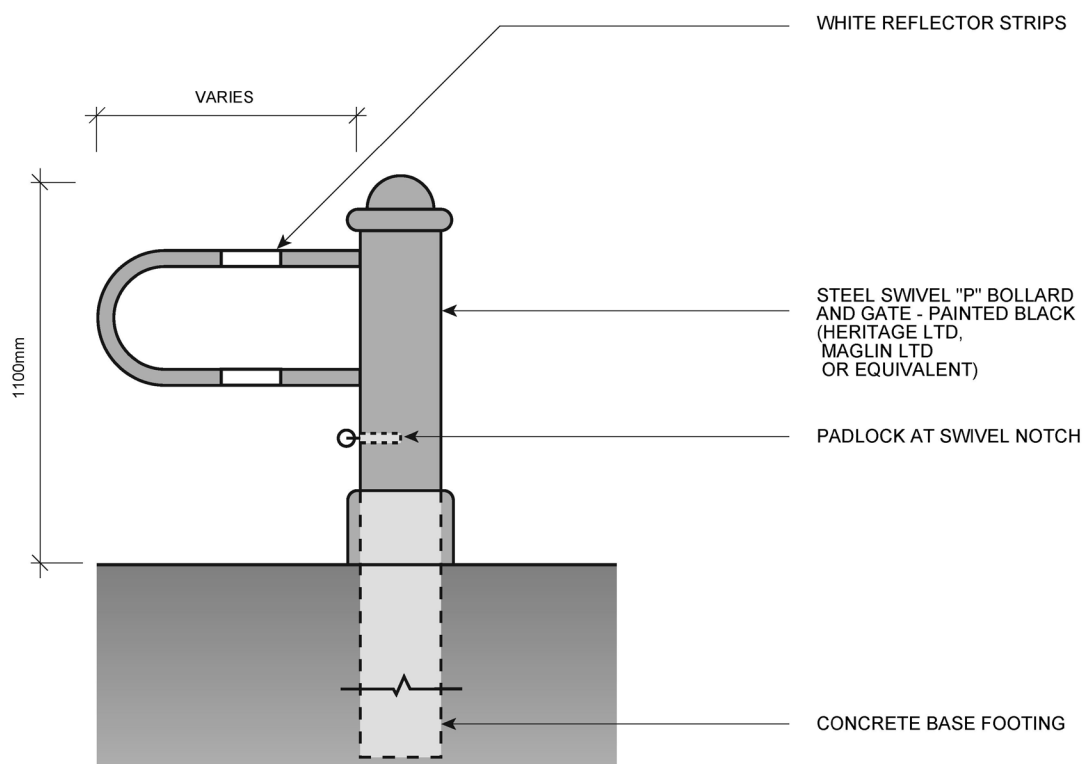


ELEVATION

FURNITURE DETAIL

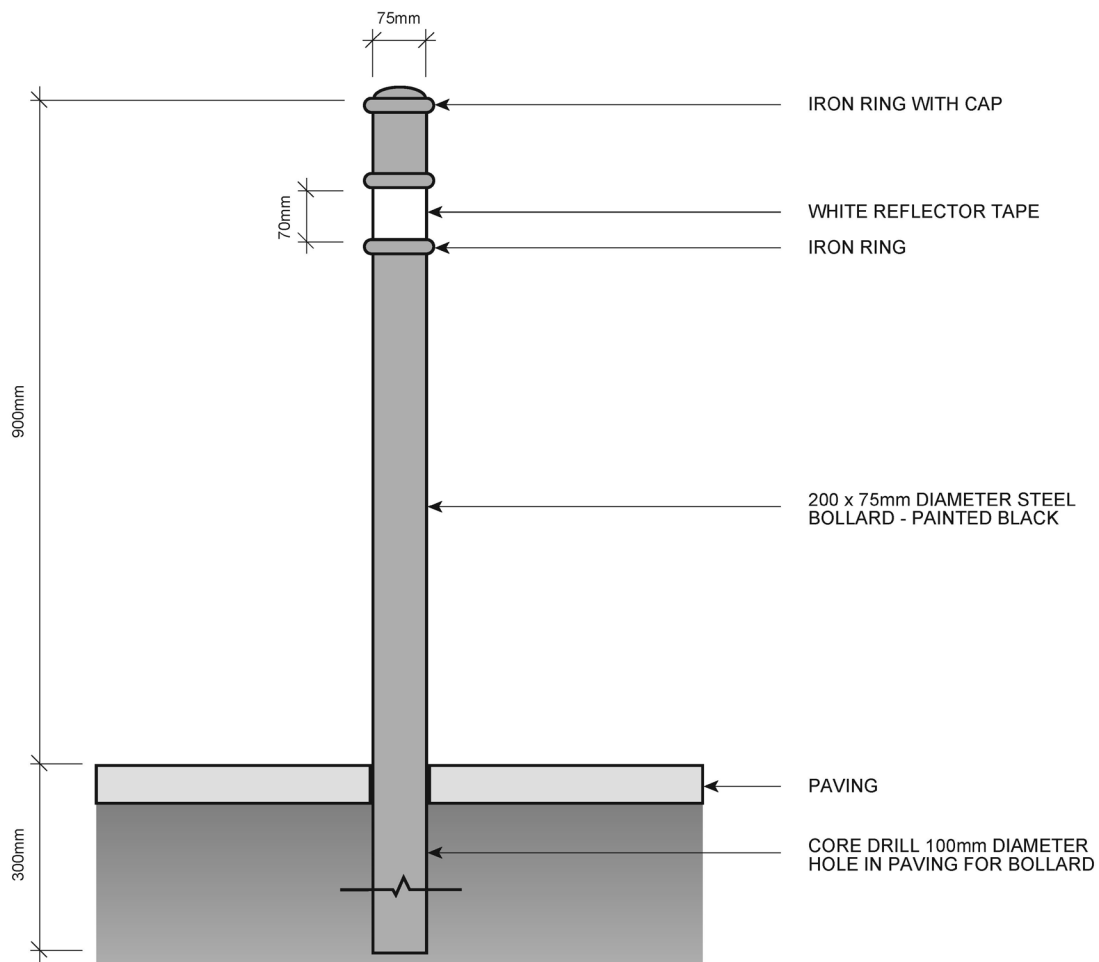


PLAN



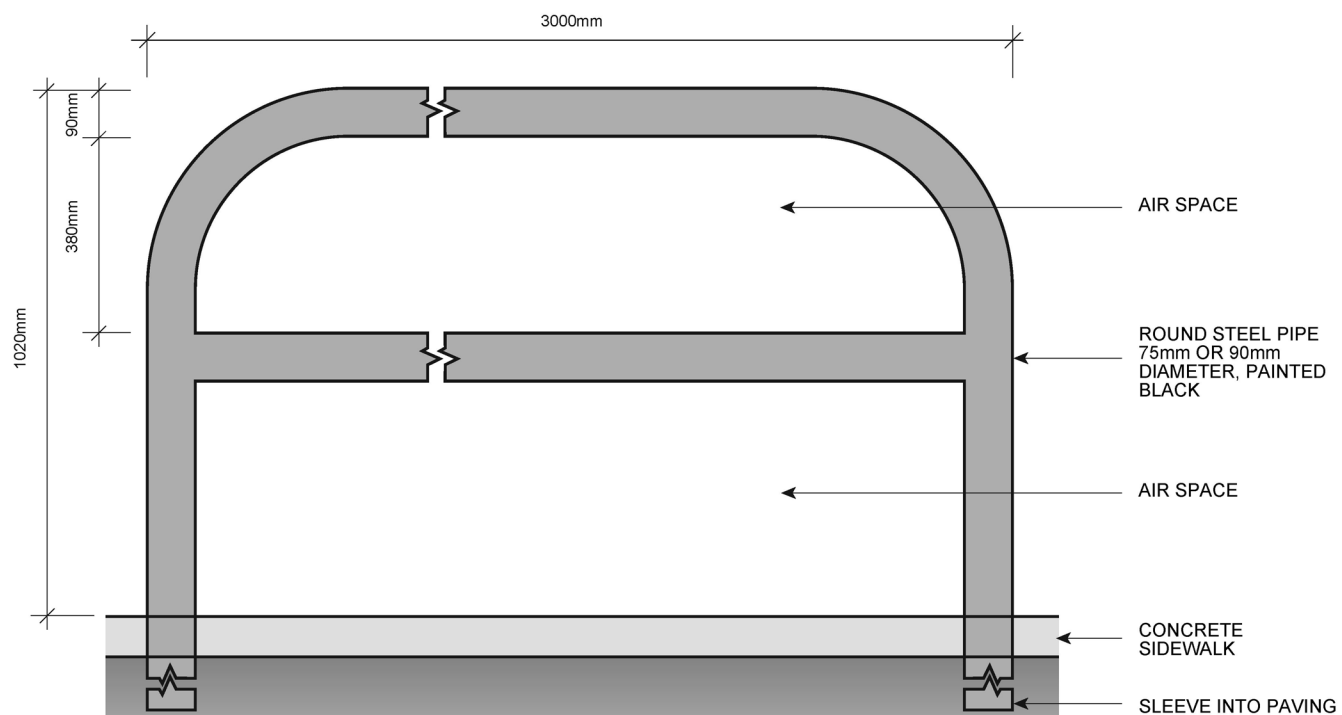
ELEVATION

FURNITURE DETAIL

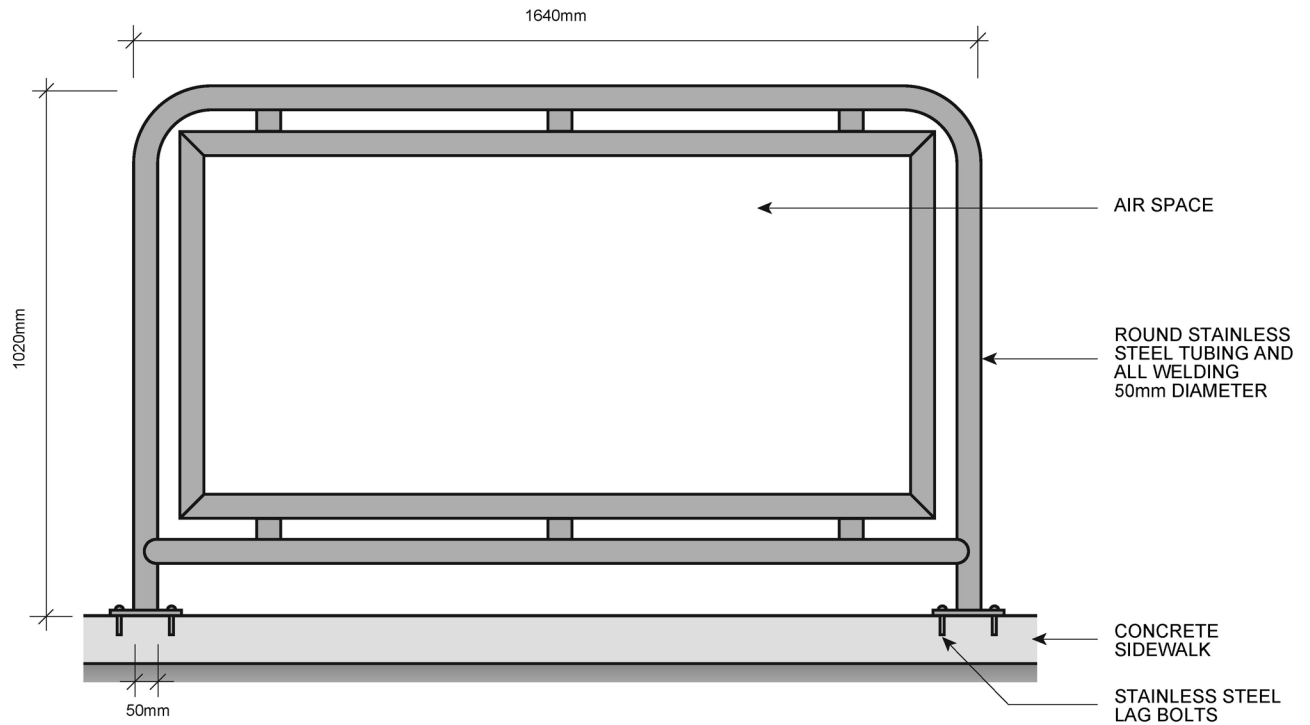
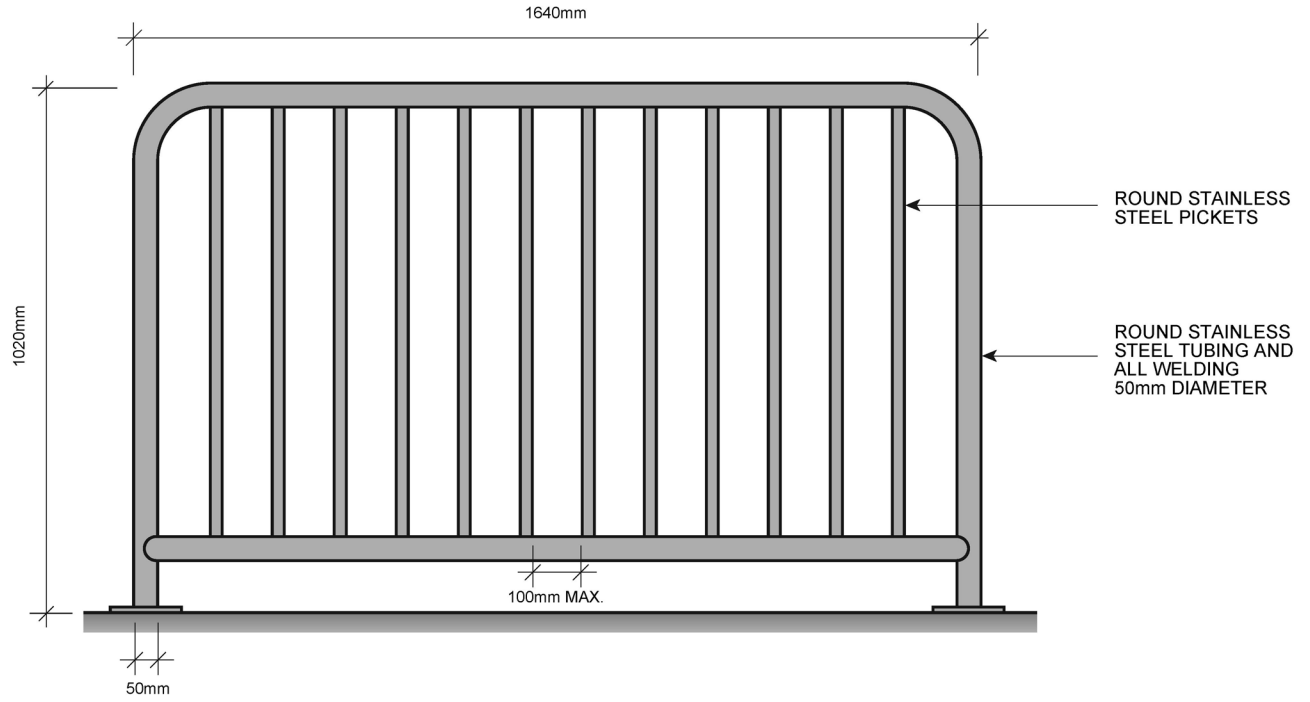


NOTES:
1. AVAILABLE FROM CITY OF TORONTO,
TRANSPORTATION SERVICES.

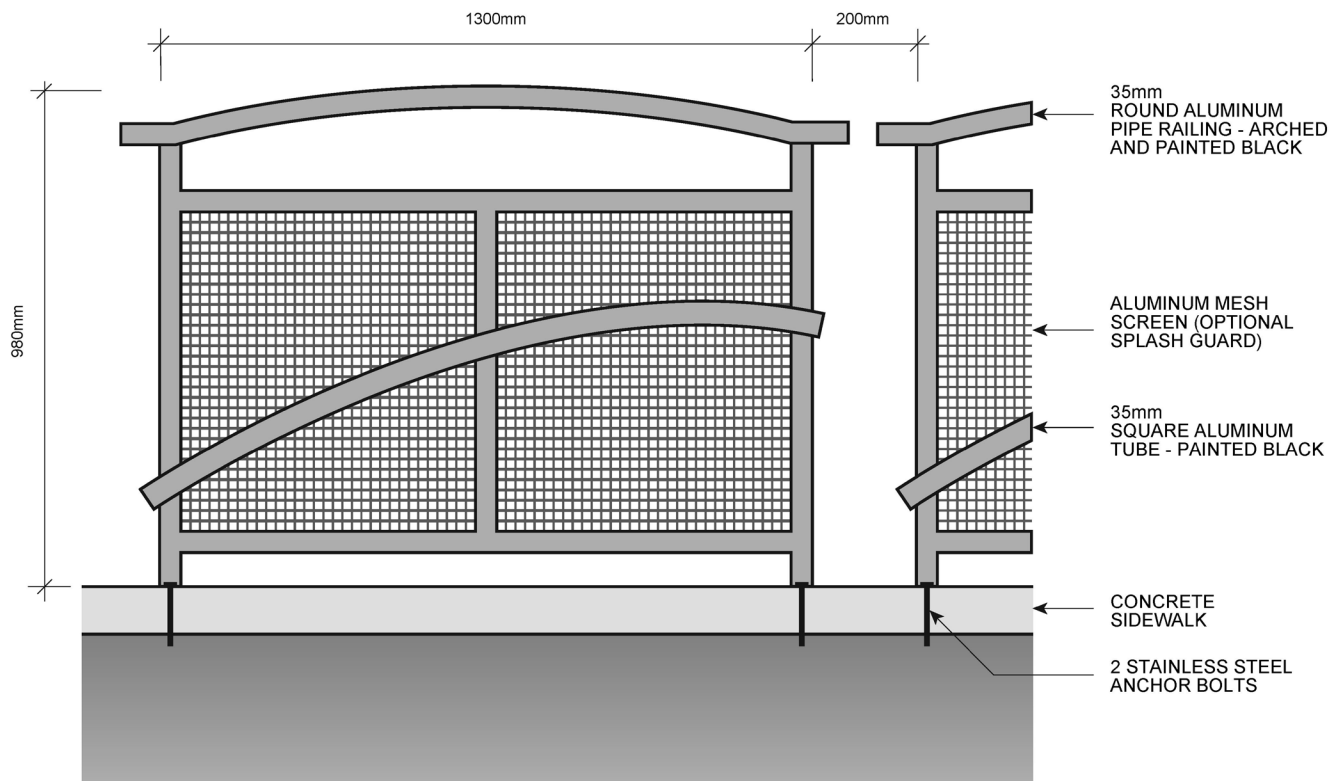
FURNITURE DETAIL



FURNITURE DETAIL

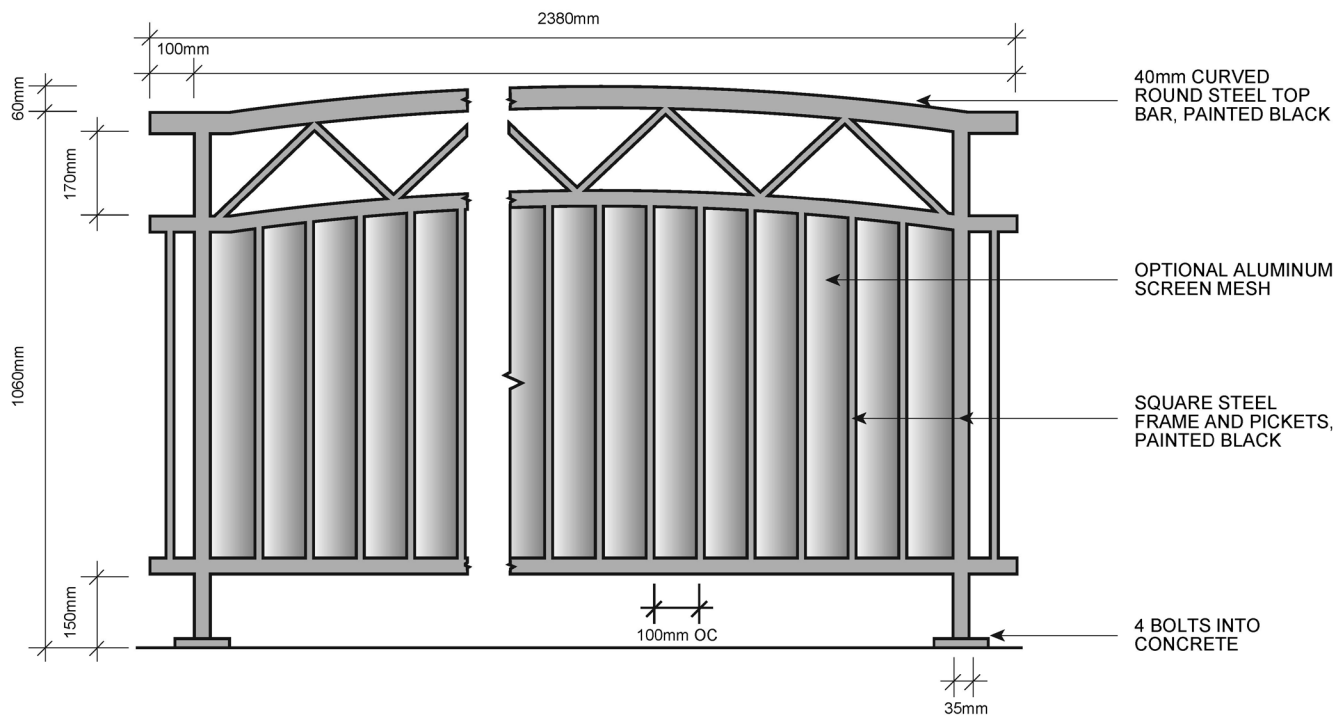


FURNITURE DETAIL

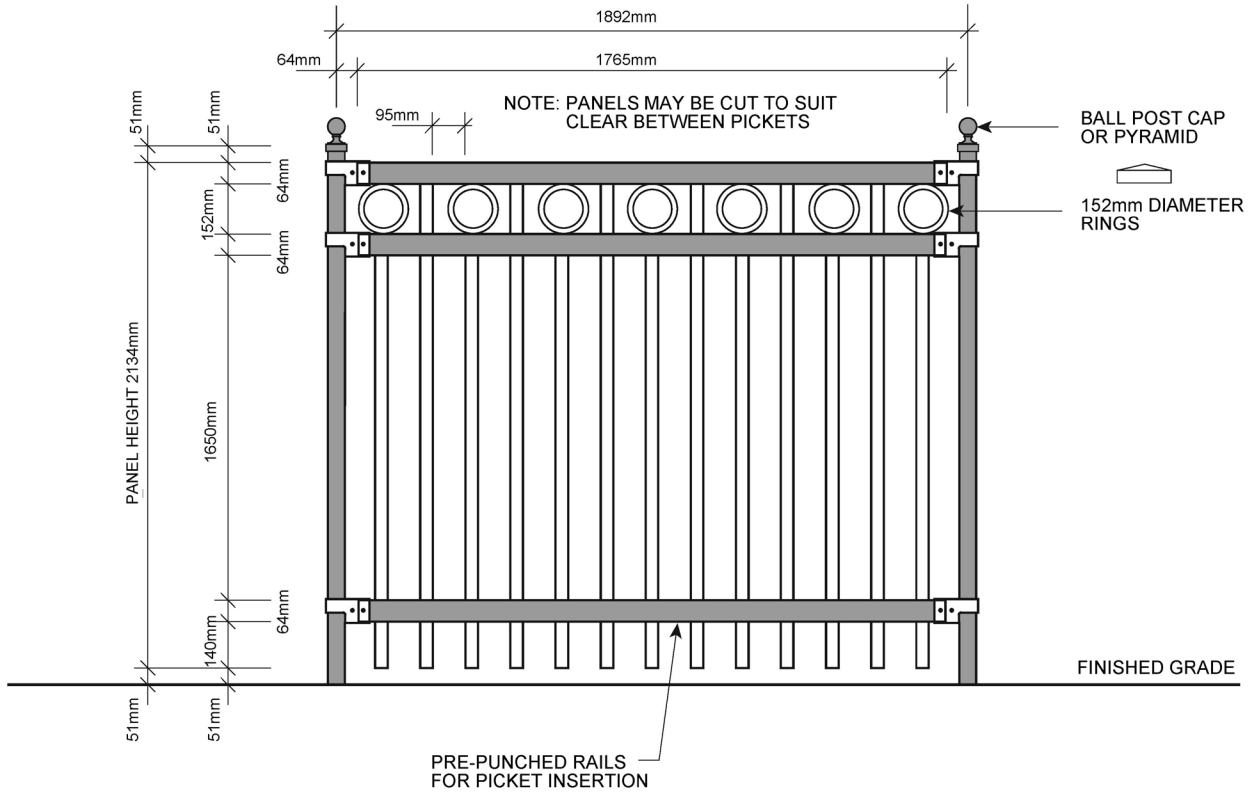


ELEVATION - STREET SIDE

FURNITURE DETAIL

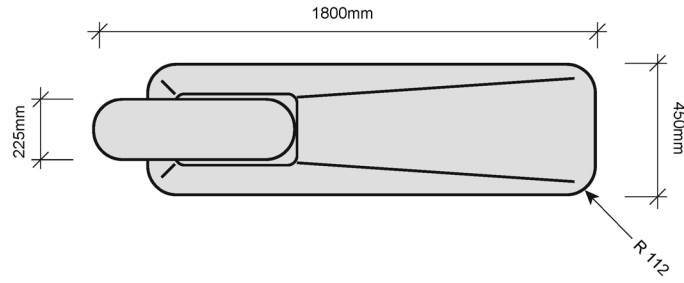


FURNITURE DETAIL

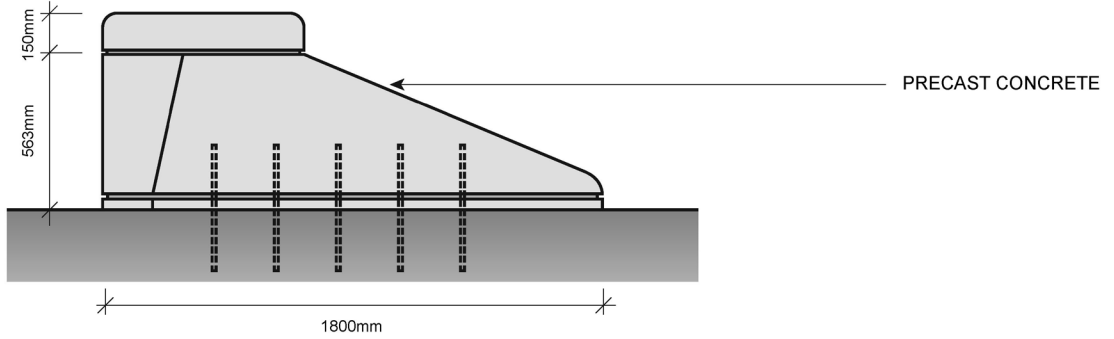


FURNITURE DETAIL

PLAN

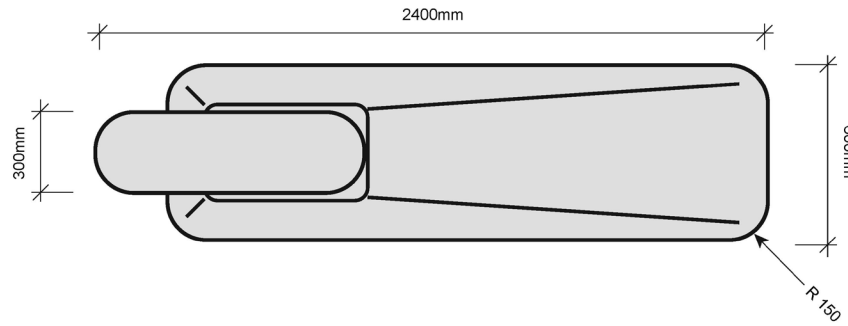


ELEVATION



MANUFACTURER:
STREETSCAPE PRECAST
INDUSTRIES (OR EQUIVALENT)

PLAN



ELEVATION

