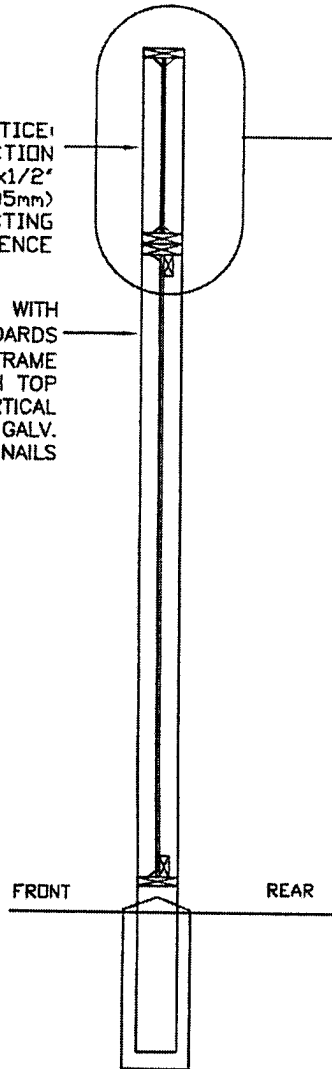


# Attachment 4

[80 Tykos Dr.]

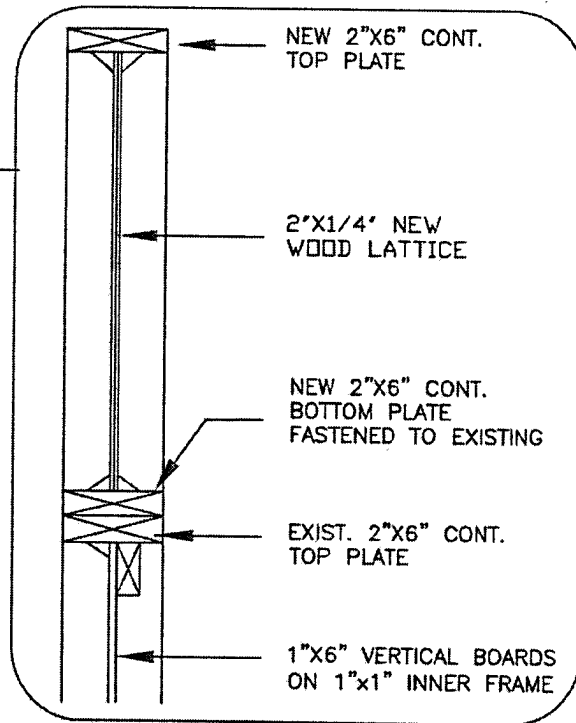
NEW WOOD LATTICE:  
2"x1/4" CONSTRUCTION  
WITH 1/2"x1/2"  
OPENINGS: 1'(305mm)  
WIDE. OVER EXISTING  
FENCE

EXISTING FENCE WITH  
1"x6" VERTICAL BOARDS  
ON 1"x1" INNER FRAME  
FASTENED TO BOTH TOP  
BOARD AND VERTICAL  
BOARDS WITH GALV.  
SPIRAL NAILS



SIDE VIEW

SCALE 1:25



SCALE 1:10

**NINO RICO**  
ARCHITECT  
201 Spinkner Way,  
Unit 10  
Concord, Ontario  
L4K 4C6  
Tel: 905 760-1848  
Fax: 905 760-5941  
E-mail:  
ninhorico@ninhorico.com  
www.ninhorico.com

PROJECT:  
ETHIOPIAN ORTHODOX CHURCH OF CANADA  
ST. MARY'S CHURCH  
(PHASE 2)  
80 / 84 TYCOS DRIVE,  
TORONTO, ONTARIO

DRAWING TITLE :  
**WOOD FENCE DETAILS**

ONTARIO ASSOCIATION  
OF  
ARCHITECTS  
GAELANO NINO RICO  
LICENCE  
3567

DATE:  
NOV. 01, 2013

SCALE:  
1 : 20

PLOT DATE :  
NOV. 01, 2013

PROJECT No.  
**6005**

DRAWING No.

**SK-2**