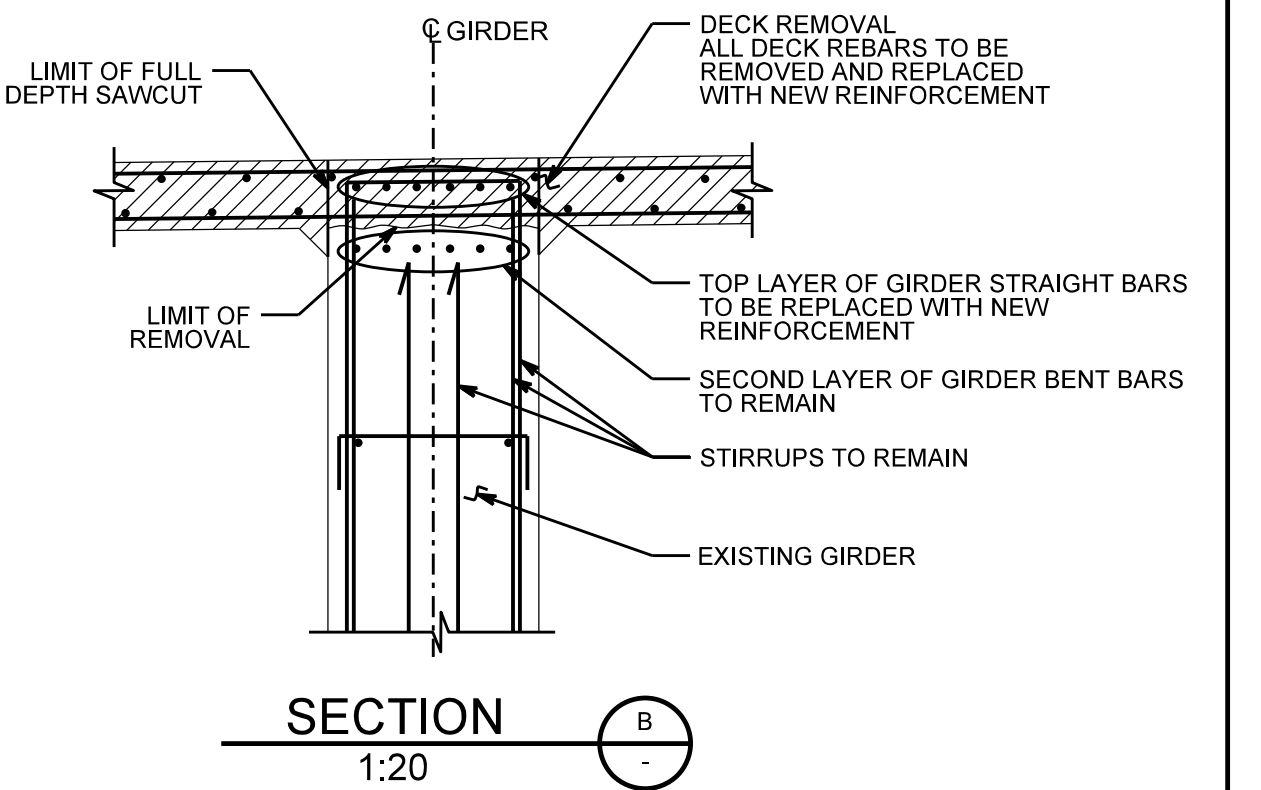
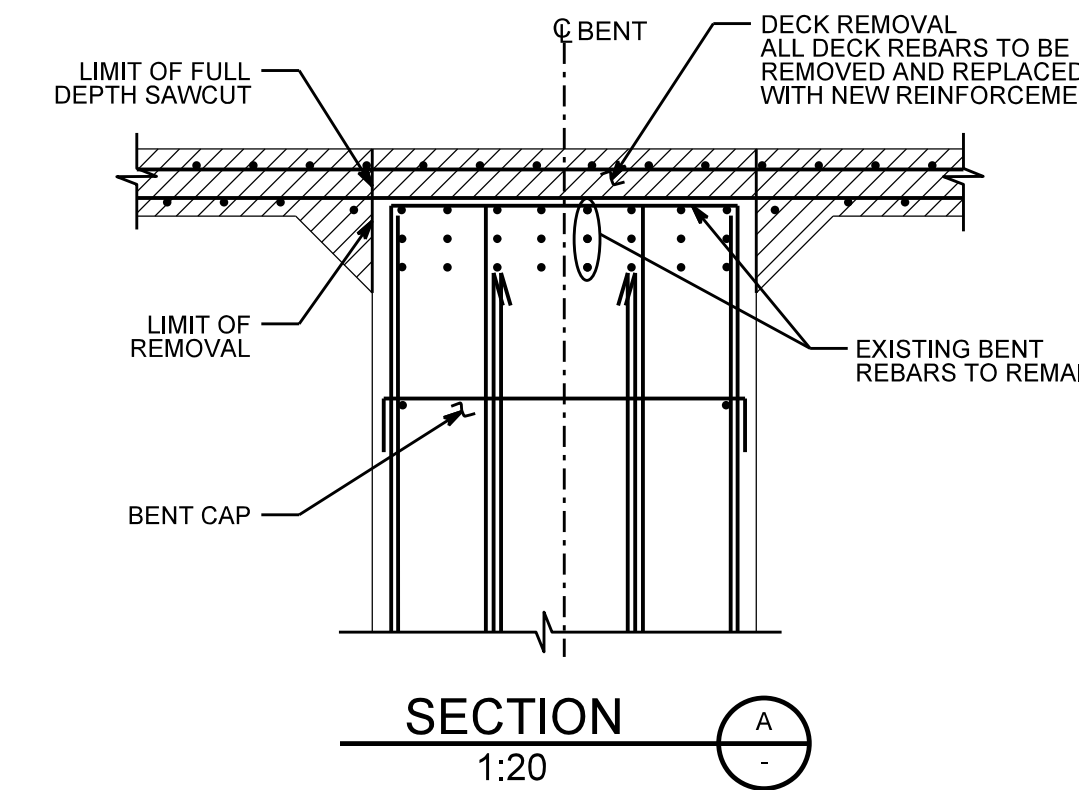
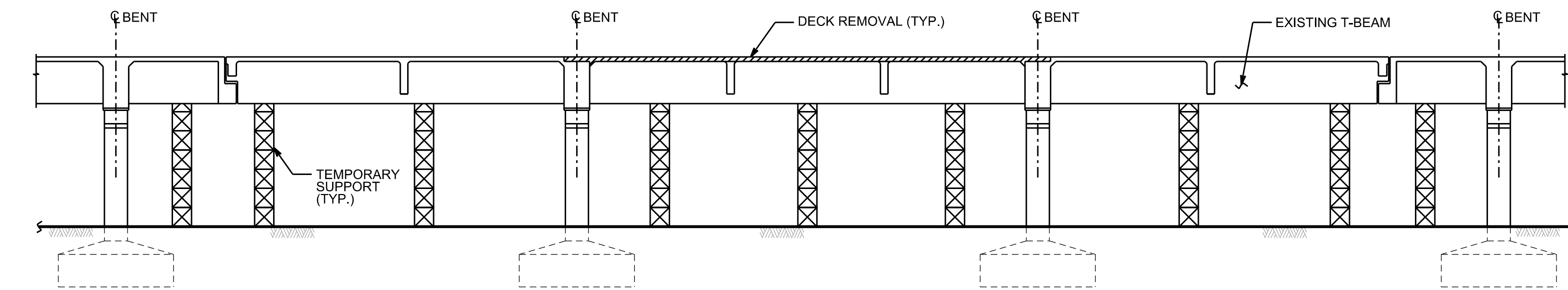
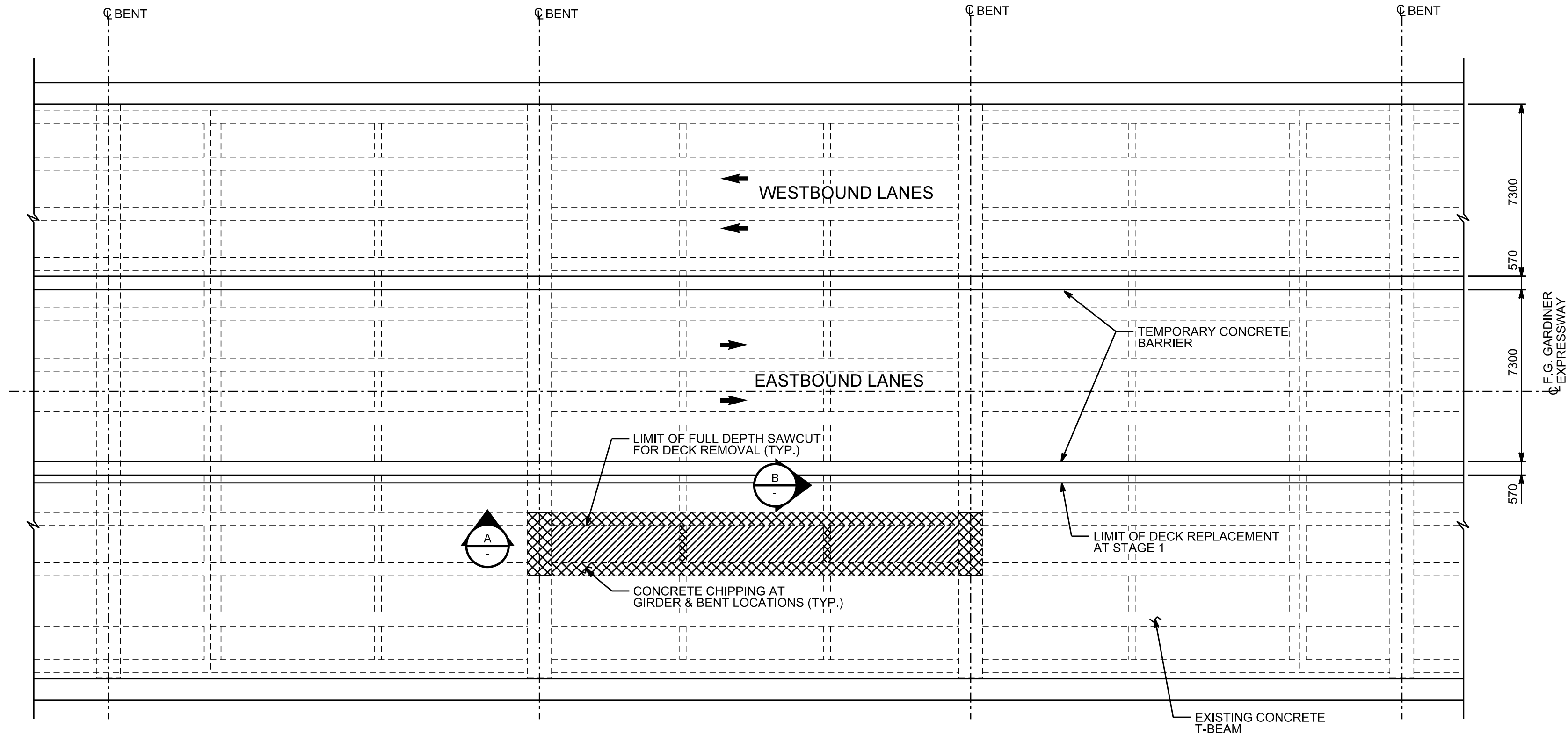
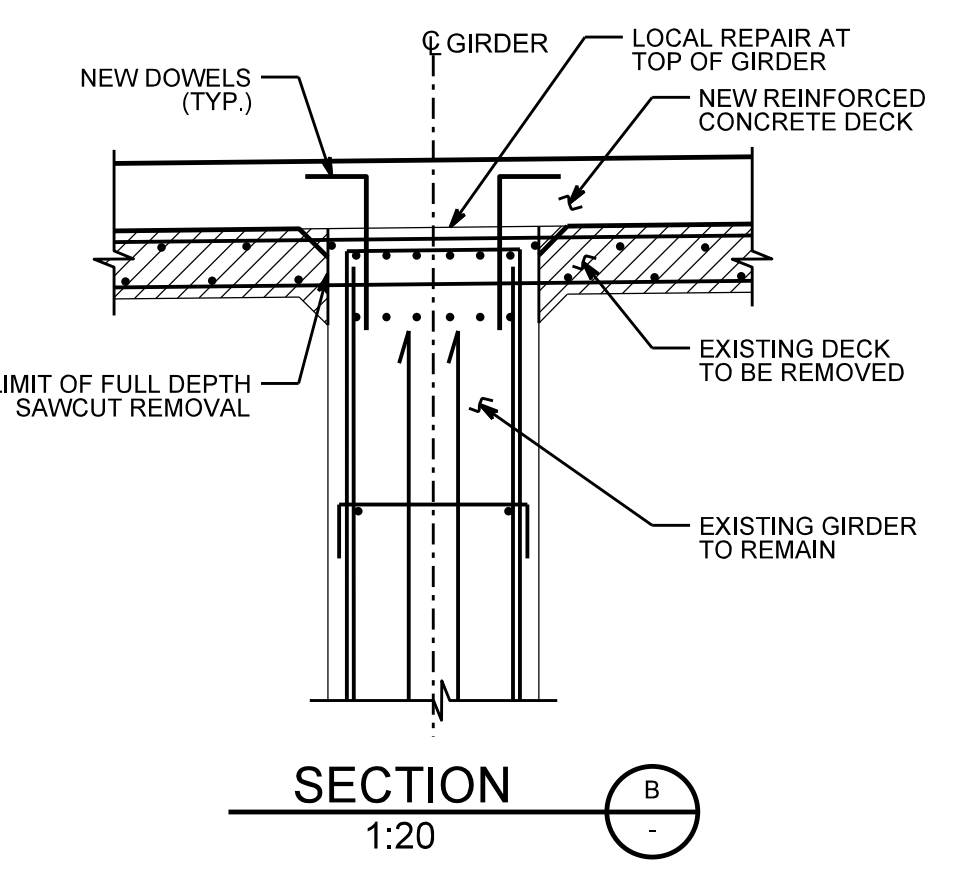
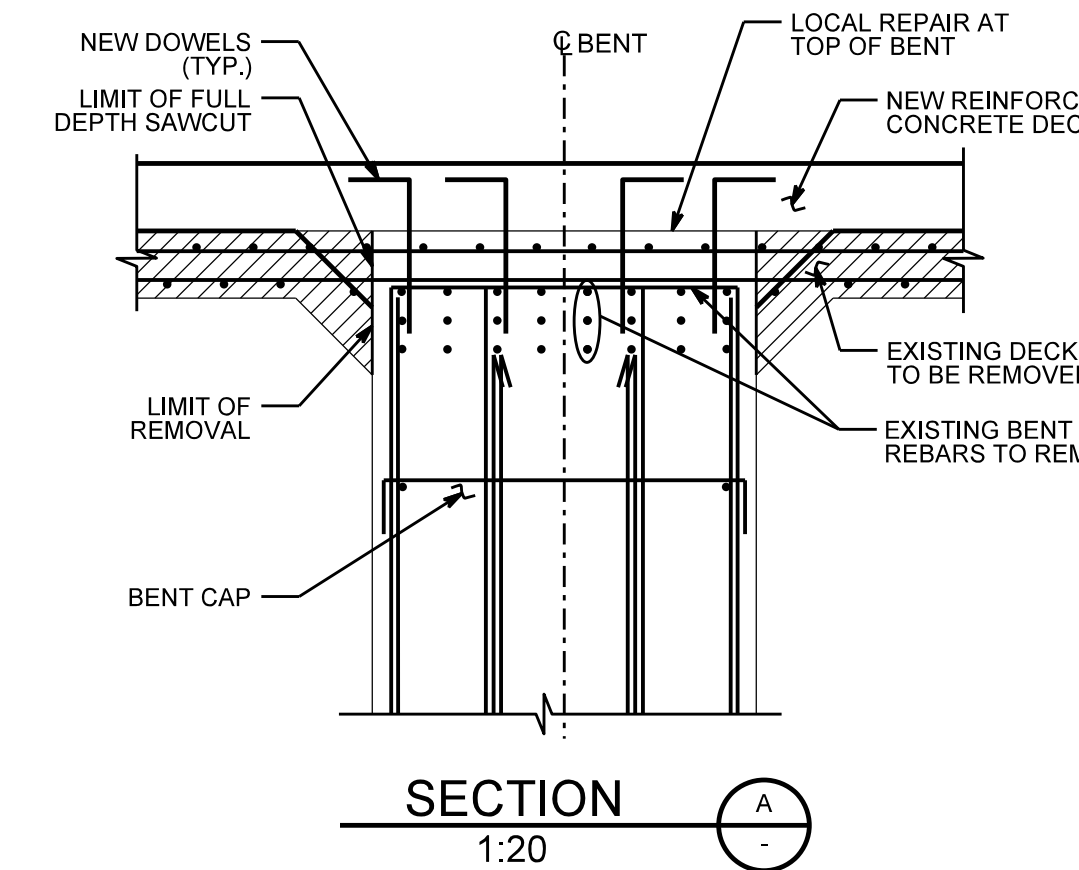

APPENDIX I
Rehabilitation Alternatives – Reinforced Concrete T-Beam Section

NOTES:
 1. STAGE 1 SHOWN, STAGE 2 AND 3 SIMILAR. SEE STAGING DRAWINGS FOR DETAILS.

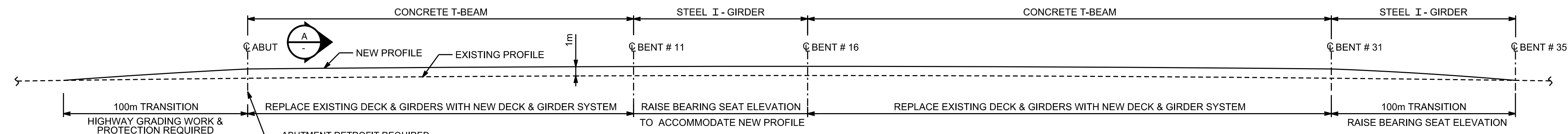


ALTERNATIVE 1A

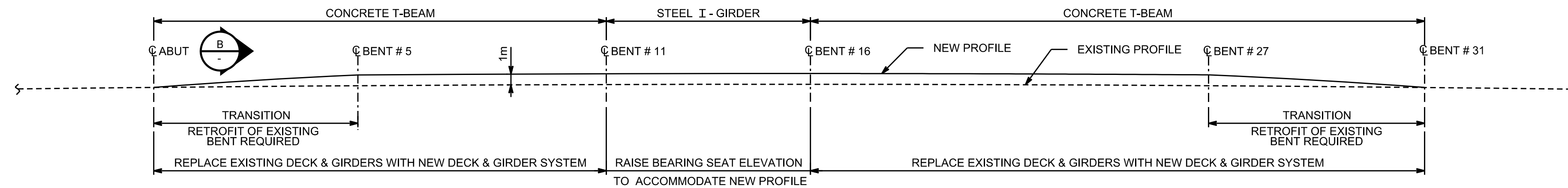


ALTERNATIVE 1B

NOTES:
 1. STAGE 1 SHOWN, STAGE 2 AND 3 SIMILAR. SEE STAGING DRAWINGS FOR DETAILS.

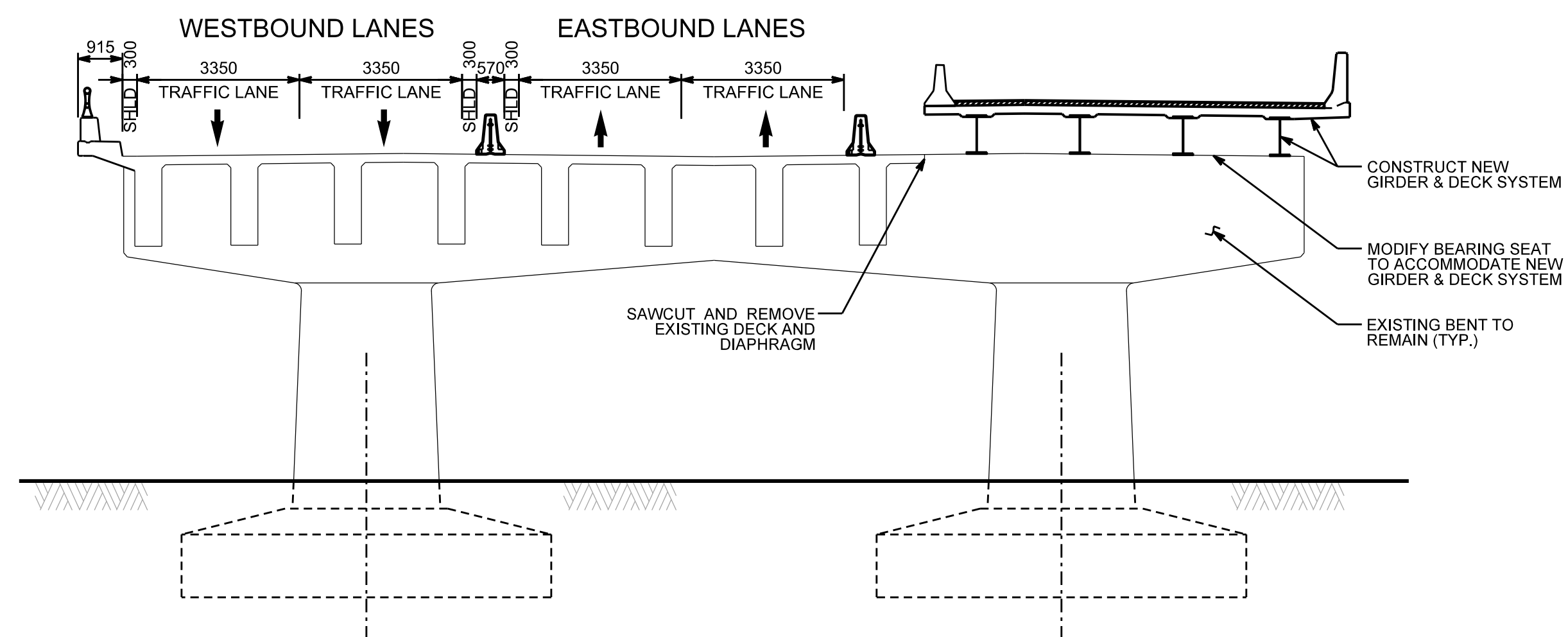


ALTERNATIVE 2A

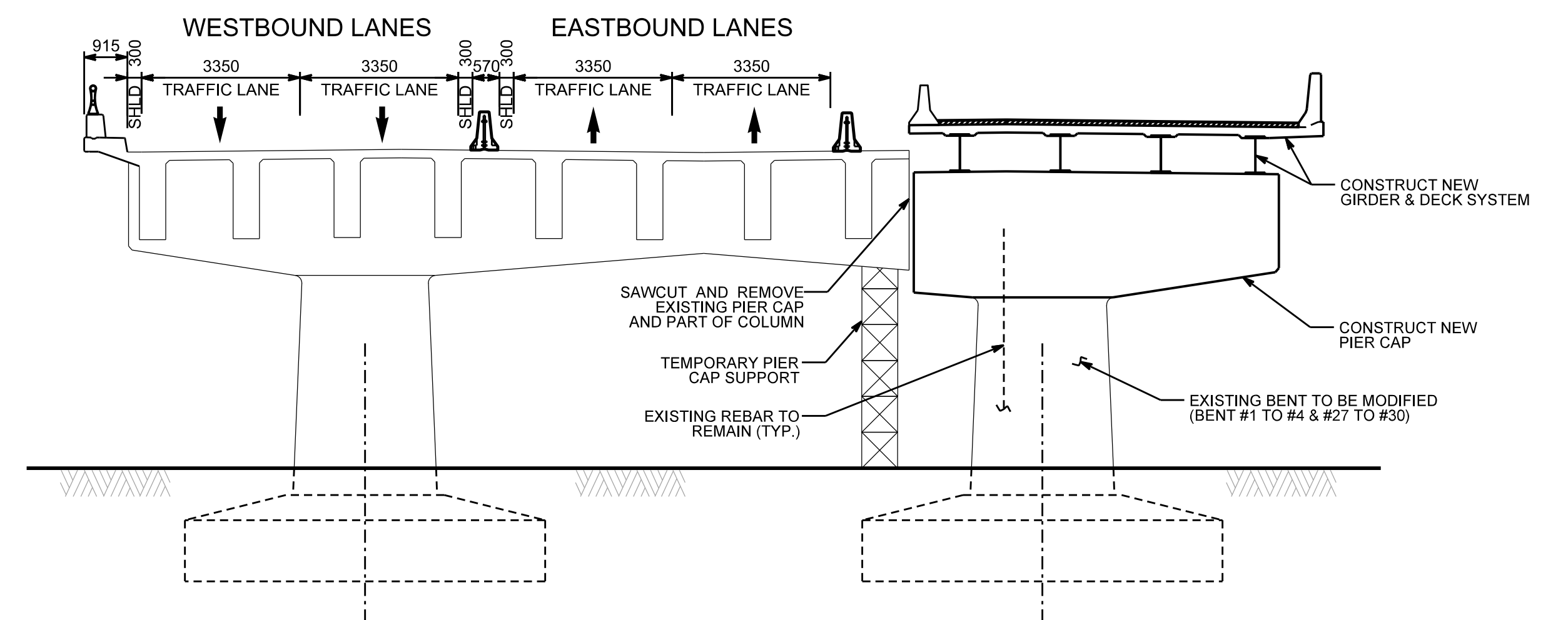


ALTERNATIVE 2B

PROFILES
 N.T.S.



A ALTERNATIVE 2A - STAGE 1
 1 : 100



B ALTERNATIVE 2B - STAGE 1
 1 : 100