



RECEIVED  
CITY CLERK'S OFFICE  
CH 2ND FLOOR

2018 JAN 24 P 3:55

January 23, 2018

City Clerk's Office – Attention **Ellen Devlin**  
Toronto City Hall  
100 Queen Street West  
Toronto, Ontario  
M5H 2N2

Dear Ellen,

BMO Field located at 100 Princes' Blvd. is applying for **four temporary extensions** of their liquor license and is requesting a letter of non-objection from the Municipal Clerk. Details are as follows:

*Event:* **TFC 2018**

*Extension Dates:* **Feb 27 – Mar 12, 2018**  
**Mar 30 – Apr 12, 2018**  
**Apr 28 – May 11, 2018**  
**May 18 – May 31, 2018**

*Alcohol Service:* **11:00am until 12:00am**

*Locations:* **North Grandstand**  
**Capacity: 1,010**  
**No tiered seating**

**South Terrace**  
**Capacity: 147**  
**No tiered seating**

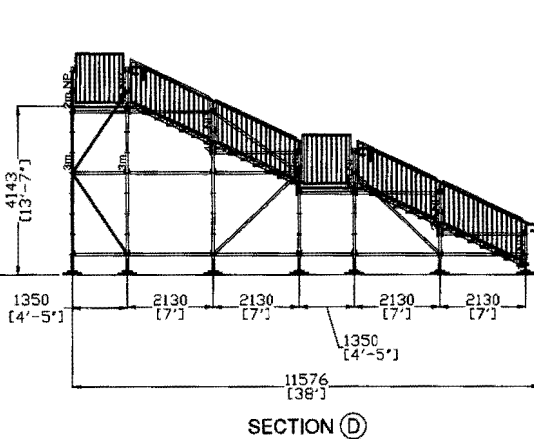
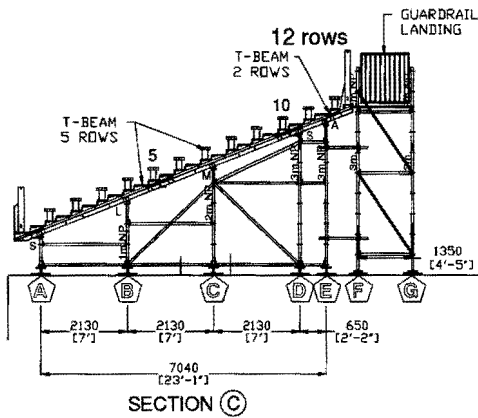
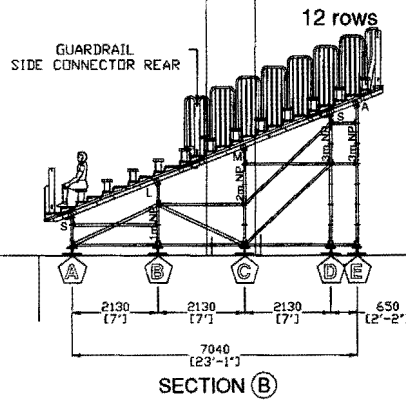
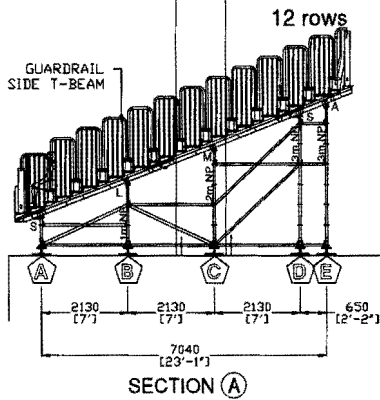
I have attached 2 maps of the proposed license area to this letter. Letters of notification have been sent to local Fire, Building, Health, and Police authorities. The North Grandstand and South Terrace are temporary structures for the 2018 Toronto FC Season.

Should you have any questions or concerns, please do not hesitate to contact me at 416.815.5400 extension 3298 or alternatively, via email, at [lia.mannella@mlse.com](mailto:lia.mannella@mlse.com).

Sincerely,

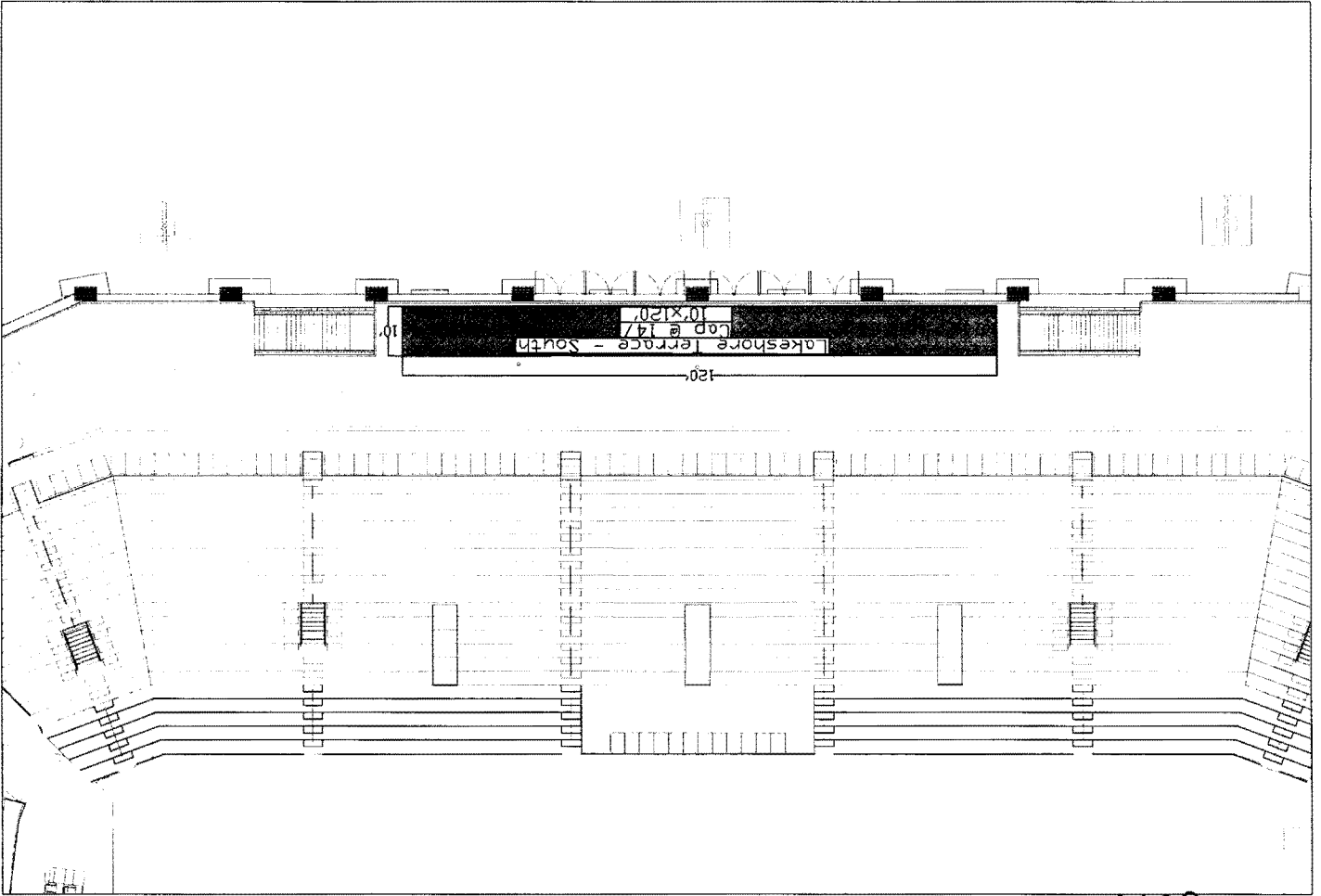
Lia Mannella  
MLSE | P: 416.815.5400 Ext. 3298 | C: 416.452.9048

# NORTH GRAND STAND



NO.	DESCRIPTION	DATE	BY
	REVISION		
CHECKED BY:	DRIVEN BY:	ANDRÉ MADOR	
DRAWING RELEASE STATUS			
<input type="checkbox"/> Preliminary Drawing Not for Construction or Fabrication			
<input type="checkbox"/> Revised Preliminary Drawing Not for Construction or Fabrication			
<input checked="" type="checkbox"/> Approved for construction or Fabrication			
<input type="checkbox"/> Revised Destroy all Previous Copies			
SCALE:	DATE:	OCTOBER 12, 2017	
JOB NO.:	FILE NO.:		
CUSTOMER:	CLIENT APPROVAL:	SIGNATURE:	
		DATE:	
PROJECT:			
BMO STADIUM SOCCER			
1010 SEATS / 5-12 ROWS			
SHEET:			
GRANDSTAND SECTIONS (A-B-C-D)			
LOCATION:			
TORONTO, ONT			
DWG NO.:			SHEET NO. 2 / 3

38' x 14'



SOUTH Terrace