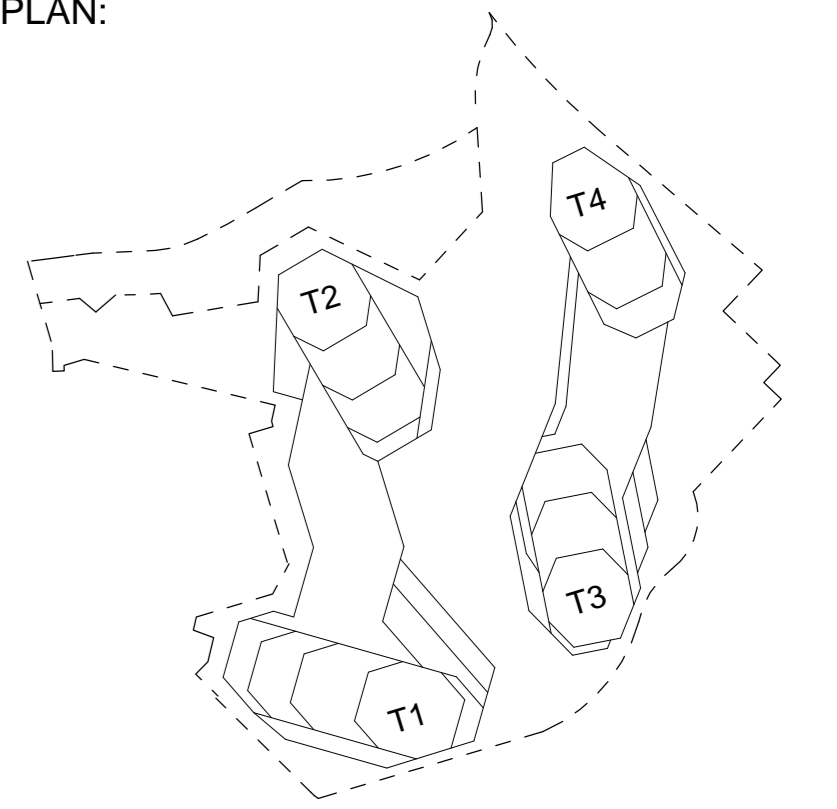
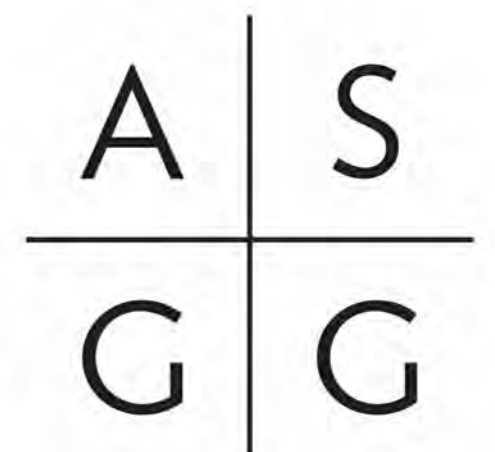


KEY PLAN:



AS+GG CANADA
PARTNERSHIP



30 WEST MONROE STREET SUITE 400 CHICAGO IL 60603
T 312 920 1888 F 312 920 1775

OWNERS:



FENGATE

Freed Developments + Fengate Properties

552 Wellington Street West, Suite 1500 Toronto, Ontario, Canada M5V 2V5
77 King Street West, Suite 3410 Toronto, Ontario, Canada M5K 1H1

NOT FOR
CONSTRUCTION

CONSULTANTS:

CIVIL
COUNTERPOINT ENGINEERING
6396 Jane Street, Suite 100
Vaughan, Ontario, Canada L4K 5Y2

GEOTECHNICAL
GROUNDED ENGINEERING
12 Banigan Drive
Toronto, Ontario, Canada M4H 1E9

LANDSCAPE
CLAUDE CORMIER + ASSOCIÉS INC.
1223, Rue Des Carrières, Studio A
Montréal, Québec, Canada H2S 2B1

PLANNING
BOUSFIELDS INC
3 Church Street, Suite 200
Toronto, Ontario, Canada M5E 1M2

TRAFFIC
LEA CONSULTING LTD.
625 Cochrane Drive, 9th Floor
Markham, Ontario, Canada L3R 9R9

ISSUED:

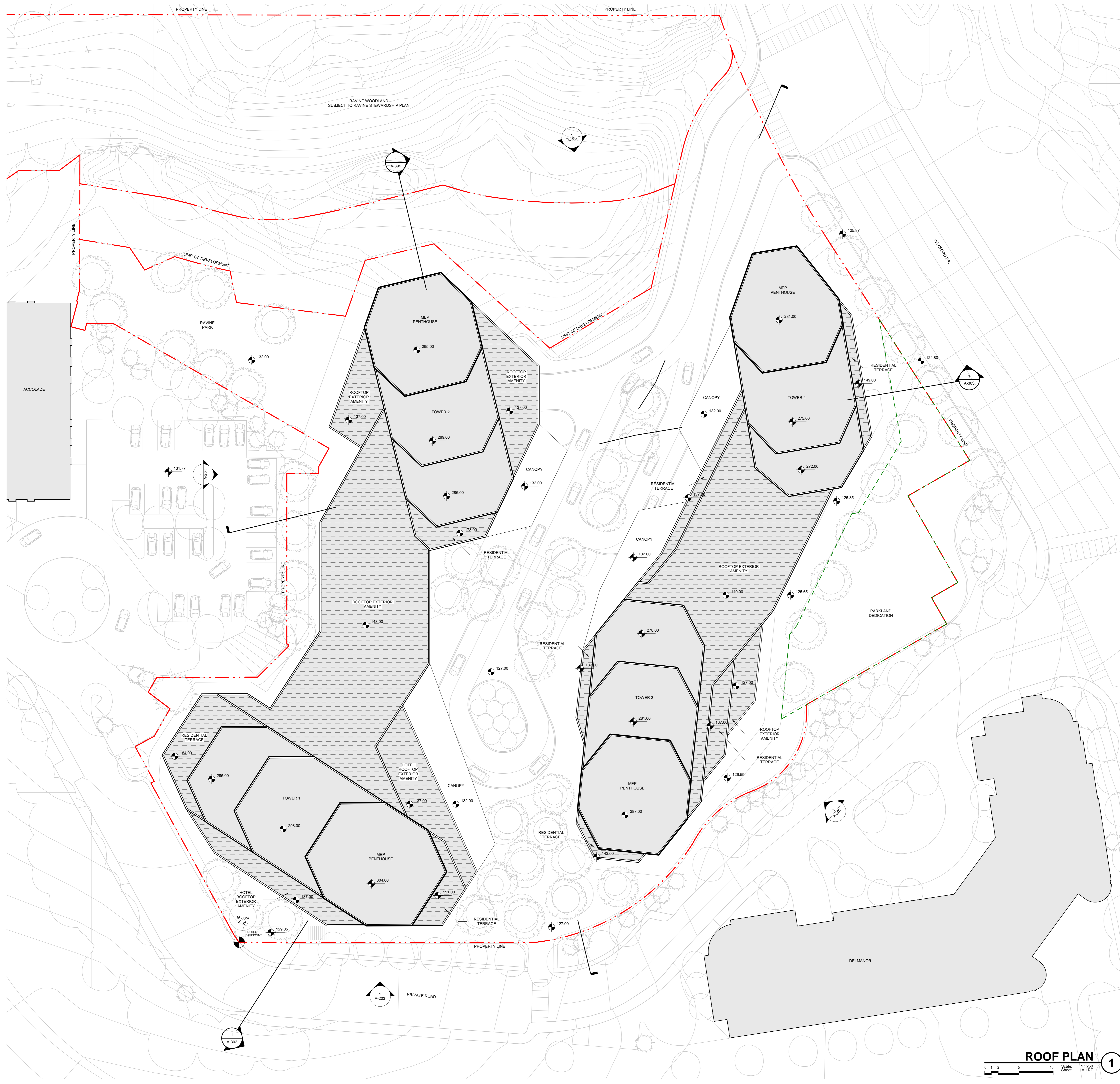
NO	DESCRIPTION	DATE
1	ZBA SUBMISSION	17 JUNE 2021
2	OLT REVISED PLANS	20 JAN 2023

PROJECT #: 221004 DRAWN BY: JL
CHECKED BY: JB

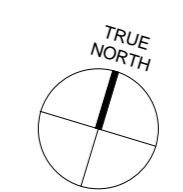
PROJECT NAME:
175 Wynford
175 Wynford Drive
North York, Ontario, Canada M3C 1J3

SHEET NAME:
ROOF PLAN

SHEET NUMBER:
A-1RF

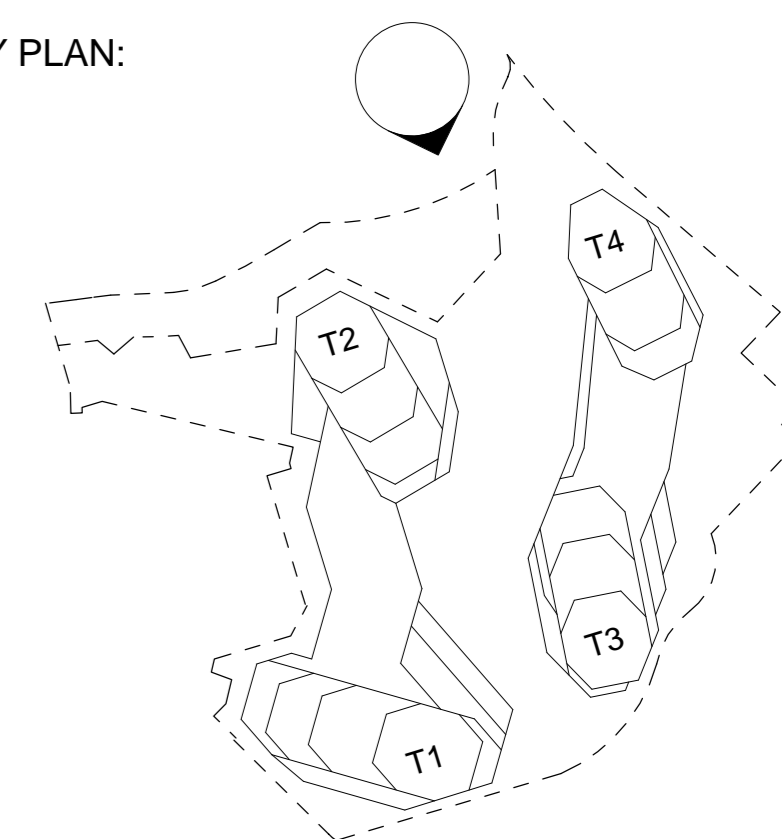


ROOF PLAN ①
Scale: 1:250
Date: 17 JAN 2023

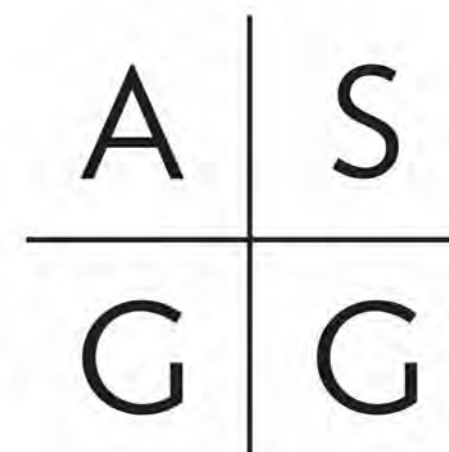


FILE PATH: C:\Users\jwh\Documents\221004_175 Wynford_Consult_A TO WYFORD_TOWER1-4_TOWERS_Jan17.kwd
PLOT TIME: 1/19/2023 4:22:19 PM

KEY PLAN:



AS+GG CANADA PARTNERSHIP



30 WEST MONROE STREET SUITE 400 CHICAGO IL 60603
T 312 920 1888 F 312 920 1775

OWNERS:



Freed Developments + Fengage Properties

552 Wellington Street West, Suite 1500 Toronto, Ontario, Canada M5V 2V5
77 King Street West, Suite 3410 Toronto, Ontario, Canada M5K 1H1

NOT FOR CONSTRUCTION

CONSULTANTS:

CIVIL
COUNTERPOINT ENGINEERING
6396 Jane Street, Suite 100
Vaughan, Ontario, Canada L4K 5Y2

GEOTECHNICAL
GROUNDING ENGINEERING
12 Bannigan Drive
Toronto, Ontario, Canada M4H 1E9

LANDSCAPE
CLAUDE CORMIER + ASSOCIES INC.
1223, Rue Des Carrières, Studio A
Montréal, Québec, Canada H2S 2B1

PLANNING
BOUSFIELDS INC
3 Church Street, Suite 200
Toronto, Ontario, Canada M5E 1M2

TRAFFIC
LEA CONSULTING LTD.
625 Cochrane Drive, 9th Floor
Markham, Ontario, Canada L3R 9R9

ISSUED:

NO	DESCRIPTION	DATE
1	ZBA SUBMISSION	17 JUNE 2021
2	OLT REVISED PLANS	20 JAN 2023

PROJECT #: 221004 DRAWN BY: LRT
CHECKED BY: JB

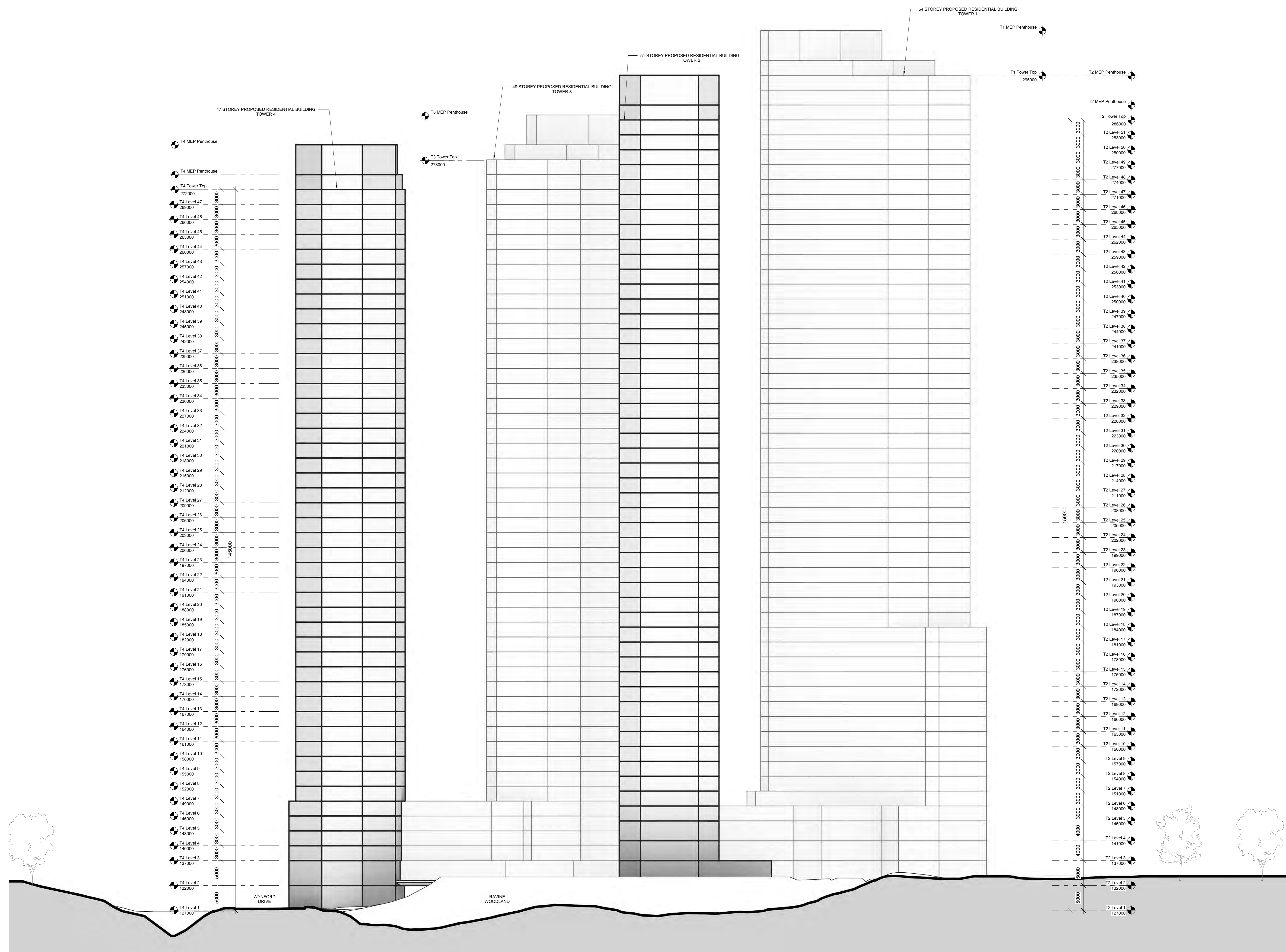
PROJECT NAME:

175 Wynford
175 Wynford Drive
North York, Ontario, Canada M3C 1J3

SHEET NAME:
NORTH ELEVATION

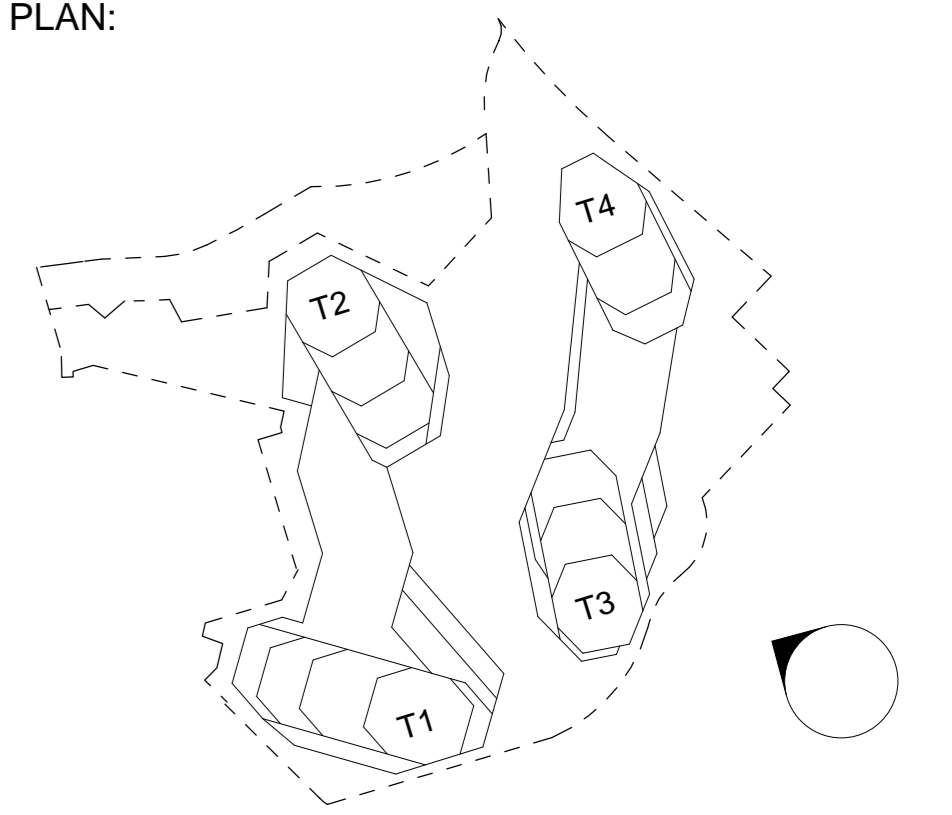
SHEET NUMBER:

A-201

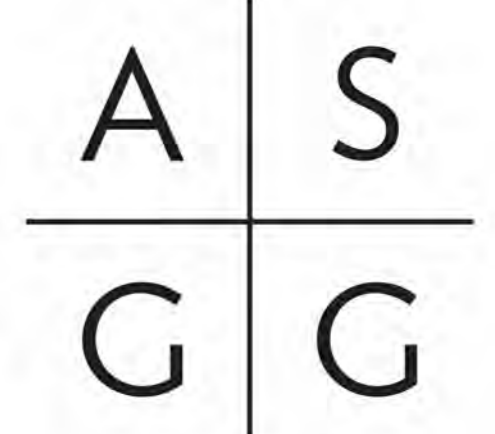


NORTH ELEVATION 1

KEY PLAN:



AS+GG CANADA PARTNERSHIP



30 WEST MONROE STREET SUITE 400 CHICAGO IL 60603
T 312 920 1888 F 312 920 1775

OWNERS:

fread

FENGATE

Freed Developments + Fengate Properties

552 Wellington Street West, Suite 1500
Toronto, Ontario, Canada M5V 2V5

77 King Street West, Suite 3410
Toronto, Ontario, Canada M5K 1H1

NOT FOR CONSTRUCTION

CONSULTANTS:

CIVIL
COUNTERPOINT ENGINEERING
6396 Jane Street, Suite 100
Vaughan, Ontario, Canada L4K 5Y2

GEOTECHNICAL
GROUNDED ENGINEERING
12 Banigan Drive
Toronto, Ontario, Canada M4H 1E9

LANDSCAPE
CLAUDE CORMIER + ASSOCIÉS INC.
1223, Rue Des Cartières, Studio A
Montréal, Québec, Canada H2S 2B1

PLANNING
BOUSFIELDS INC
3 Church Street, Suite 200
Toronto, Ontario, Canada M5E 1M2

TRAFFIC
LEA CONSULTING LTD.
625 Cochrane Drive, 9th Floor
Markham, Ontario, Canada L3R 9R9

ISSUED:

NO	DESCRIPTION	DATE
1	ZBA SUBMISSION	17 JUNE 2021
2	OLT REVISED PLANS	20 JAN 2023

PROJECT #: 221004 DRAWN BY: LRT
CHECKED BY: JB

PROJECT NAME:

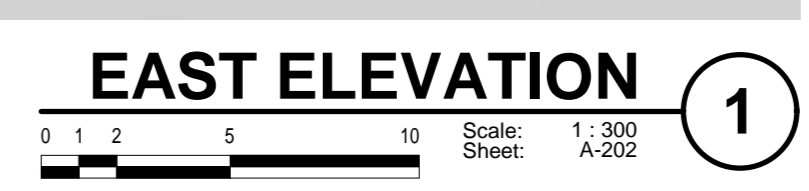
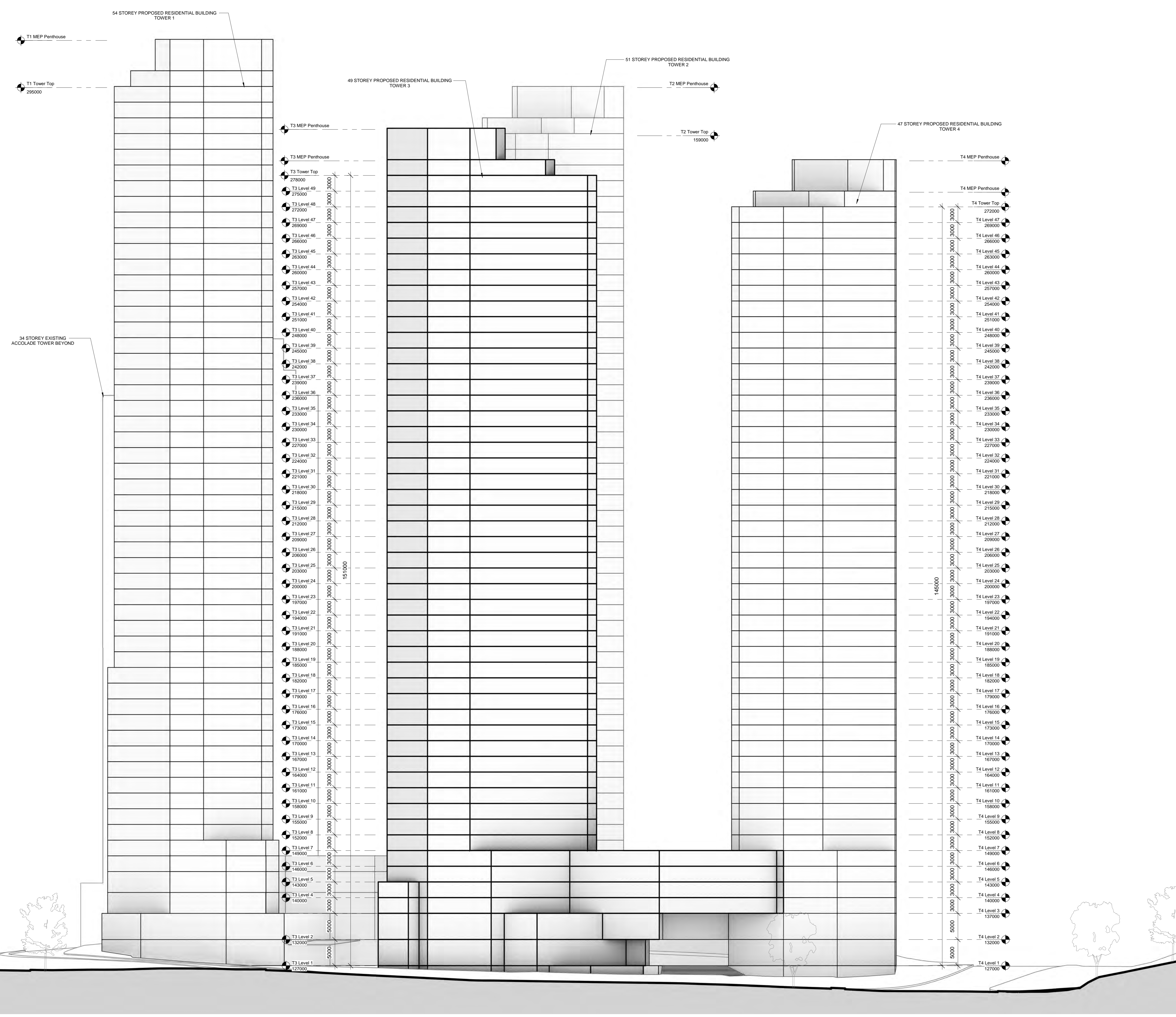
175 Wynford
175 Wynford Drive
North York, Ontario, Canada M3C 1J3

SHEET NAME:
EAST ELEVATION

SHEET NUMBER:

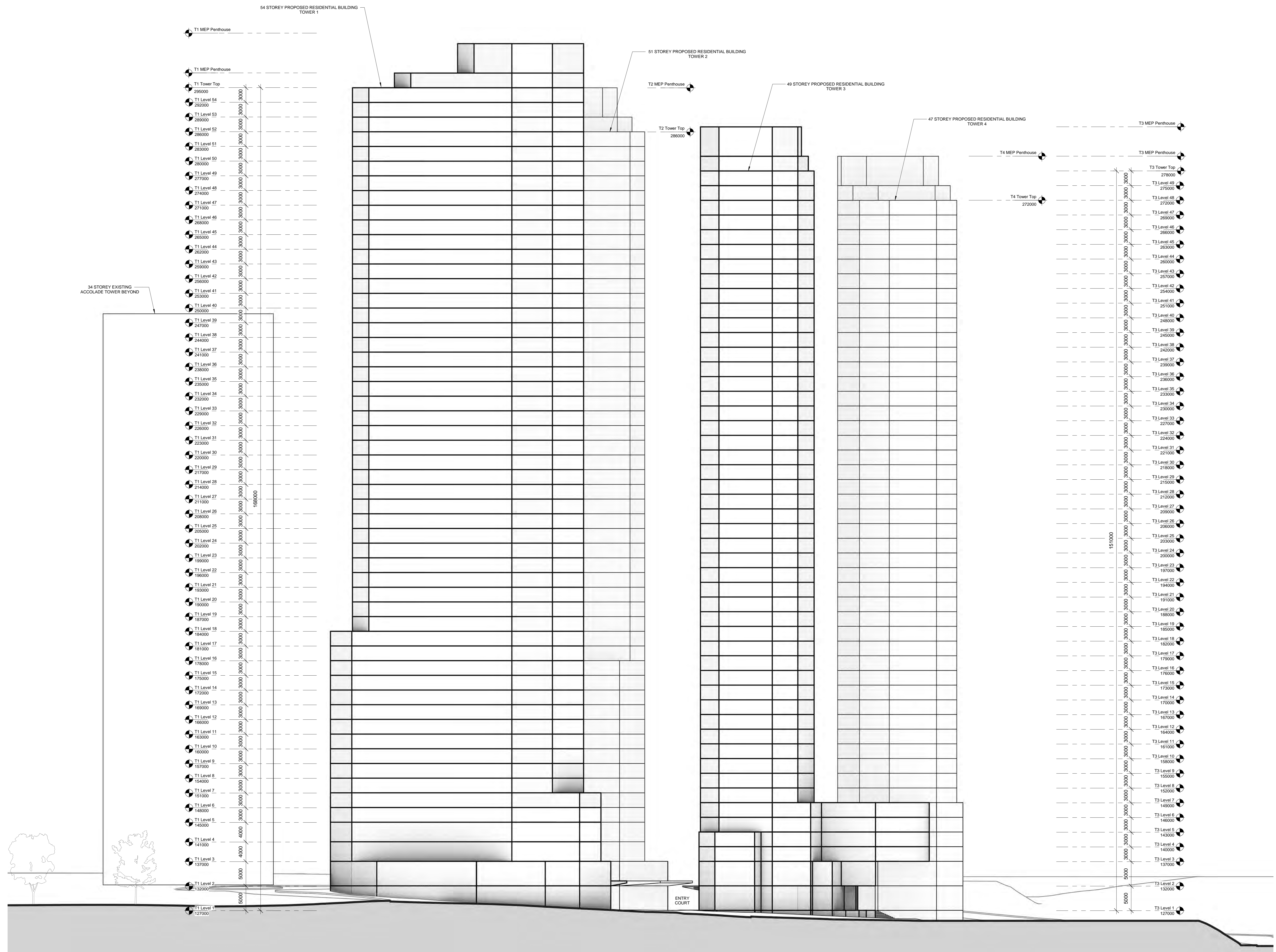
A-202

© 2023 AS+GG CANADA PARTNERSHIP

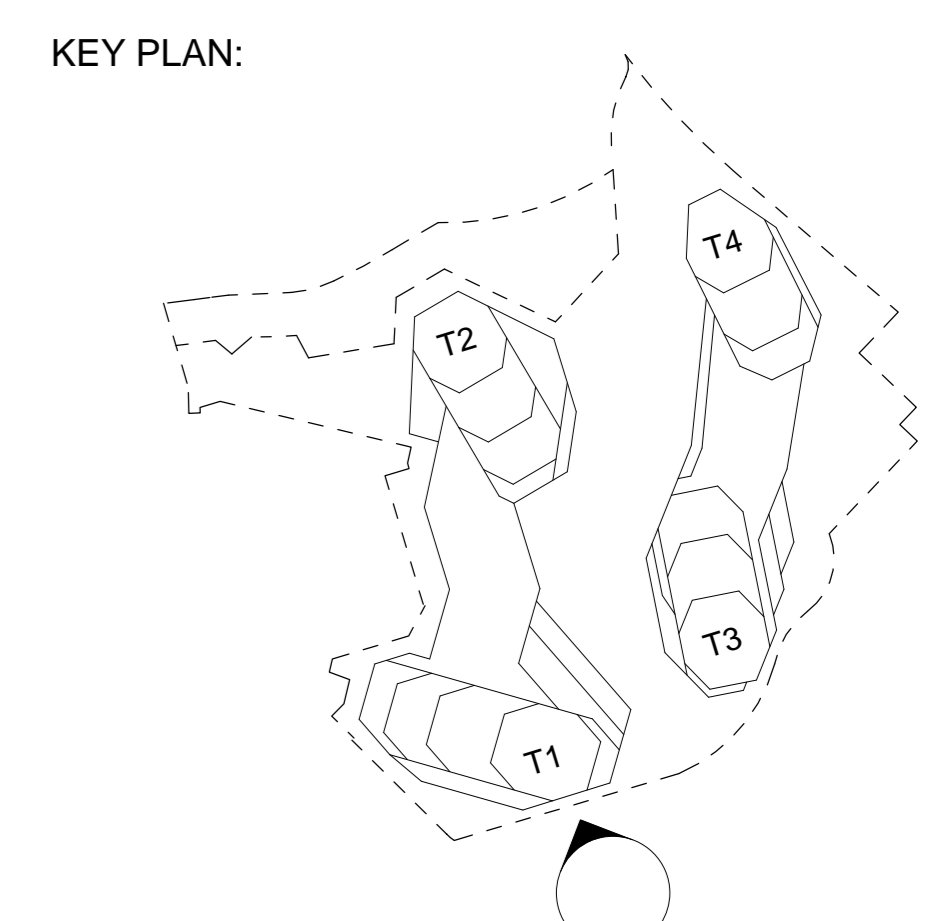


FILE PATH: C:\Users\mawad\Documents\221004_175 Wynford_Canada_4 TOWERS.dwg
PLOT TIME: 1/19/2023 3:48:25 PM

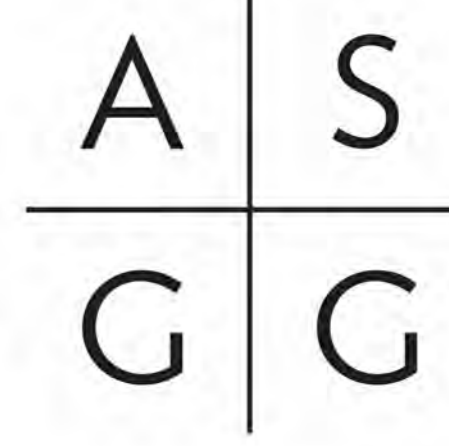
FILE PATH: C:\Users\mario\Documents\22104_175 Wynford_Central_4_TOWERS_A-203.dwg
 1/18/2023 3:48:40 PM
 PLOT TIME



SOUTH ELEVATION ①
 0 1 2 5 10 Scale: 1:300 Sheet: A-203



AS+GG CANADA PARTNERSHIP



30 WEST MONROE STREET SUITE 400 CHICAGO IL 60603
 T 312 920 1888 F 312 920 1775

OWNERS:
freed FENGATE
Freed Developments + Fengate Properties
 552 Wellington Street West, Suite 1500 Toronto, Ontario, Canada M5V 2V5
 77 King Street West, Suite 3410 Toronto, Ontario, Canada M5K 1H1

NOT FOR CONSTRUCTION

CONSULTANTS:
CIVIL
 COUNTERPOINT ENGINEERING
 6396 Jane Street, Suite 100
 Vaughan, Ontario, Canada L4K 5Y2
GEOTECHNICAL
 GROUNDED ENGINEERING
 12 Balfour Drive
 Toronto, Ontario, Canada M4H 1E9
LANDSCAPE
 CLAUDE CORMIER + ASSOCIES INC.
 1223, Rue Des Carrières, Studio A
 Montréal, Québec, Canada H2S 2B1
PLANNING
 BOUSFIELDS INC
 3 Church Street, Suite 200
 Toronto, Ontario, Canada M5E 1M2
TRAFFIC
 LEA CONSULTING LTD.
 625 Cochran Drive, 9th Floor
 Markham, Ontario, Canada L3R 9R9

ISSUED:

NO	DESCRIPTION	DATE
1	ZBA SUBMISSION	17 JUNE 2021
2	OLT REVISED PLANS	20 JAN 2023

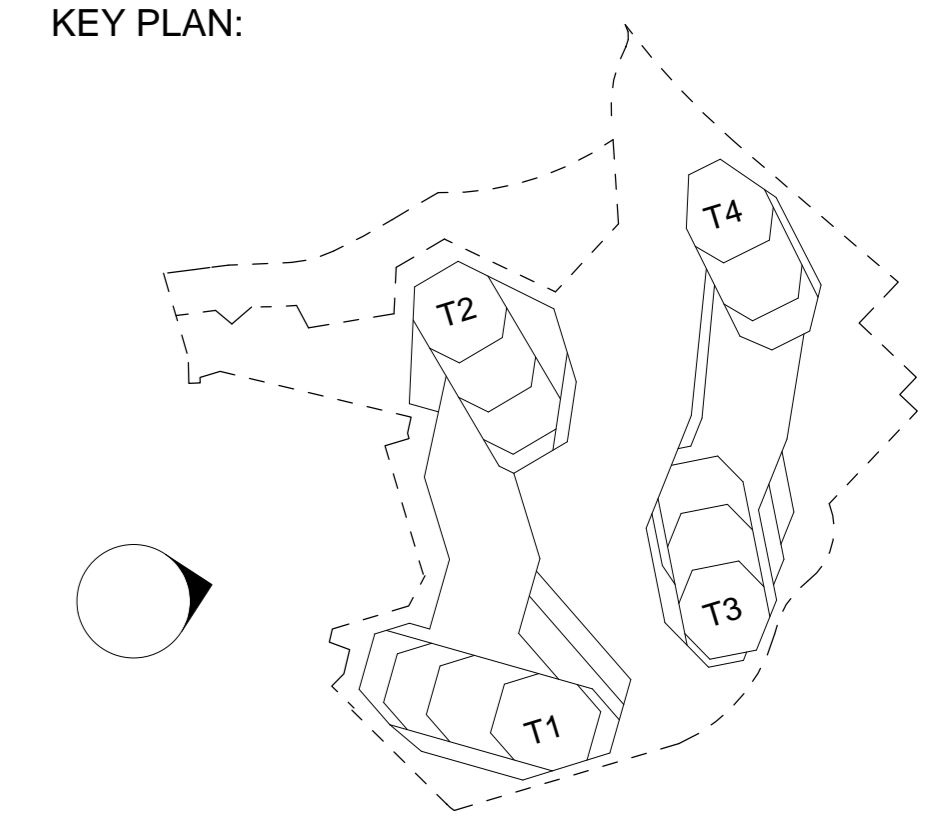
PROJECT #: 221004 DRAWN BY: LRT CHECKED BY: JB

PROJECT NAME:
175 Wynford
 175 Wynford Drive
 North York, Ontario, Canada M3C 1J3

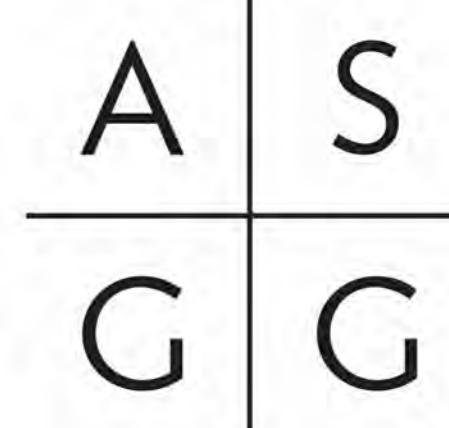
SHEET NAME:
SOUTH ELEVATION

SHEET NUMBER:
A-203

KEY PLAN:



AS+GG CANADA
PARTNERSHIP



30 WEST MONROE STREET SUITE 400 CHICAGO IL 60603
T 312 920 1888 F 312 920 1775

OWNERS:

fread **FENGATE**
Freed Developments + Fengate Properties

552 Wellington Street West, Suite 1500 Toronto, Ontario, Canada M5V 2V5
77 King Street West, Suite 3410 Toronto, Ontario, Canada M5K 1H1

NOT FOR
CONSTRUCTION

CONSULTANTS:

CIVIL
COUNTERPOINT ENGINEERING
6395 Jane Street, Suite 100
Vaughan, Ontario, Canada L4K 5Y2

GEOTECHNICAL
GROUNDLED ENGINEERING
12 Banigan Drive
Toronto, Ontario, Canada M4H 1E9

LANDSCAPE
CLAUDE CORMIER + ASSOCIES INC.
1223, Rue Des Carrières, Studio A
Montréal, Québec, Canada H2S 2B1

PLANNING
BOUSFIELDS INC
3 Church Street, Suite 200
Toronto, Ontario, Canada M5E 1M2

TRAFFIC
LEA CONSULTING LTD.
625 Cochrane Drive, 9th Floor
Markham, Ontario, Canada L3R 9R9

ISSUED:

NO	DESCRIPTION	DATE
1	ZBA SUBMISSION	17 JUNE 2021
2	OLT REVISED PLANS	20 JAN 2023

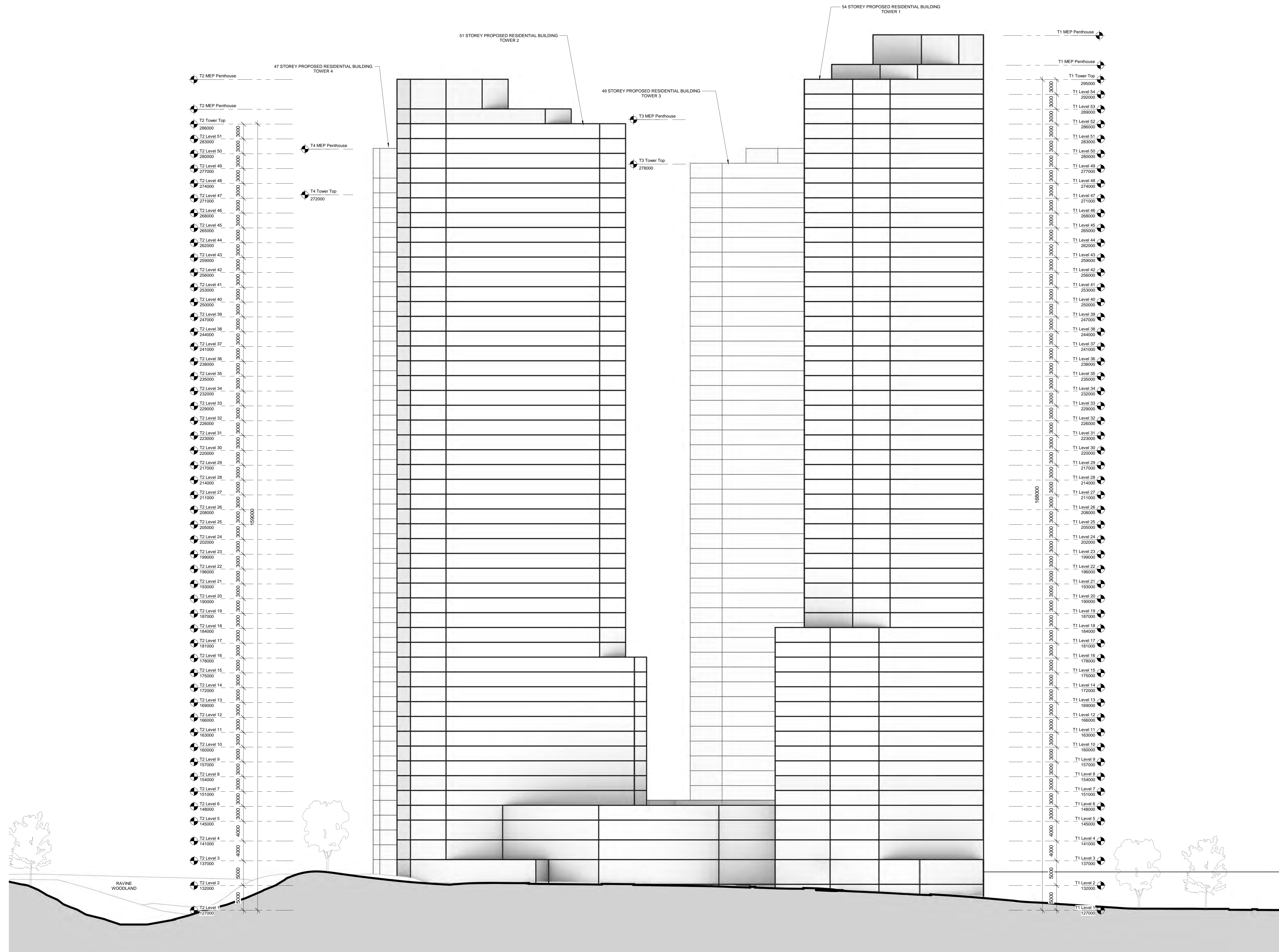
PROJECT #: 221004 DRAWN BY: LRT
CHECKED BY: JB

SHEET NAME:
175 Wynford
175 Wynford Drive
North York, Ontario, Canada M3C 1J3

SHEET NAME:
WEST ELEVATION

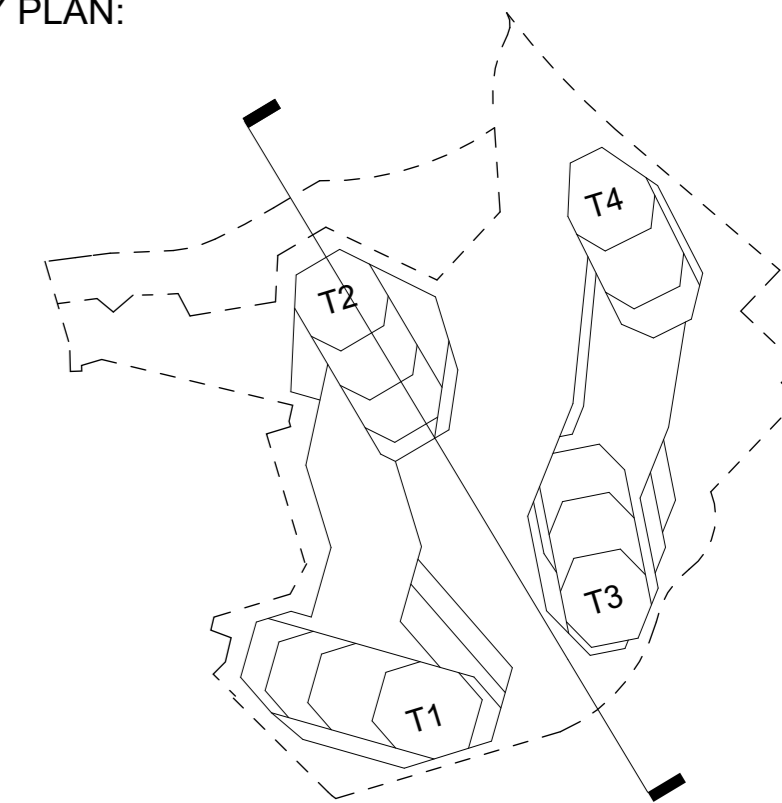
SHEET NUMBER:
A-204

© 2023 AS+GG CANADA PARTNERSHIP

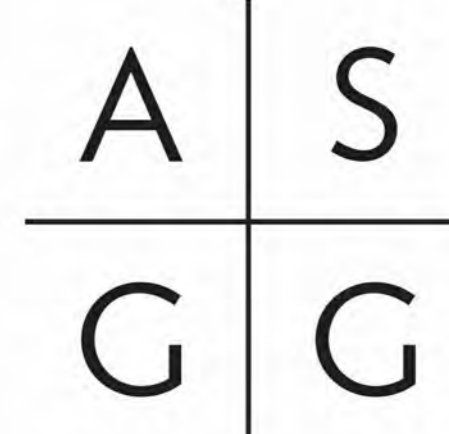


WEST ELEVATION
Scale: 1:300
1

KEY PLAN:



AS+GG CANADA
PARTNERSHIP



30 WEST MONROE STREET SUITE 400 CHICAGO IL 60603
T 312 920 1888 F 312 920 1775

OWNERS:



Freed Developments + FENGATE Properties

552 Wellington Street West, Suite 1500 Toronto, Ontario, Canada M5V 2V5
77 King Street West, Suite 3410 Toronto, Ontario, Canada M5K 1H1

NOT FOR
CONSTRUCTION

CONSULTANTS:

CIVIL
COUNTERPOINT ENGINEERING
8395 Jane Street, Suite 100
Vaughan, Ontario, Canada L4K 5Y2

GEOTECHNICAL
GROUNDED ENGINEERING
12 Bannan Drive
Toronto, Ontario, Canada M4H 1E9

LANDSCAPE
CLAUDE CORMIER + ASSOCIÉS INC.
1223, Rue Des Carrières, Studio A
Montréal, Québec, Canada H2S 2B1

PLANNING
BOUSFIELDS INC
3 Church Street, Suite 200
Toronto, Ontario, Canada M5E 1M2

TRAFFIC
LEA CONSULTING LTD.
625 Cochrane Drive, 9th Floor
Markham, Ontario, Canada L3R 9R9

ISSUED:

NO	DESCRIPTION	DATE
1	ZBA SUBMISSION	17 JUNE 2021
2	OLT REVISED PLANS	20 JAN 2023

PROJECT #: 221004 DRAWN BY: NS
CHECKED BY: JB

PROJECT NAME:

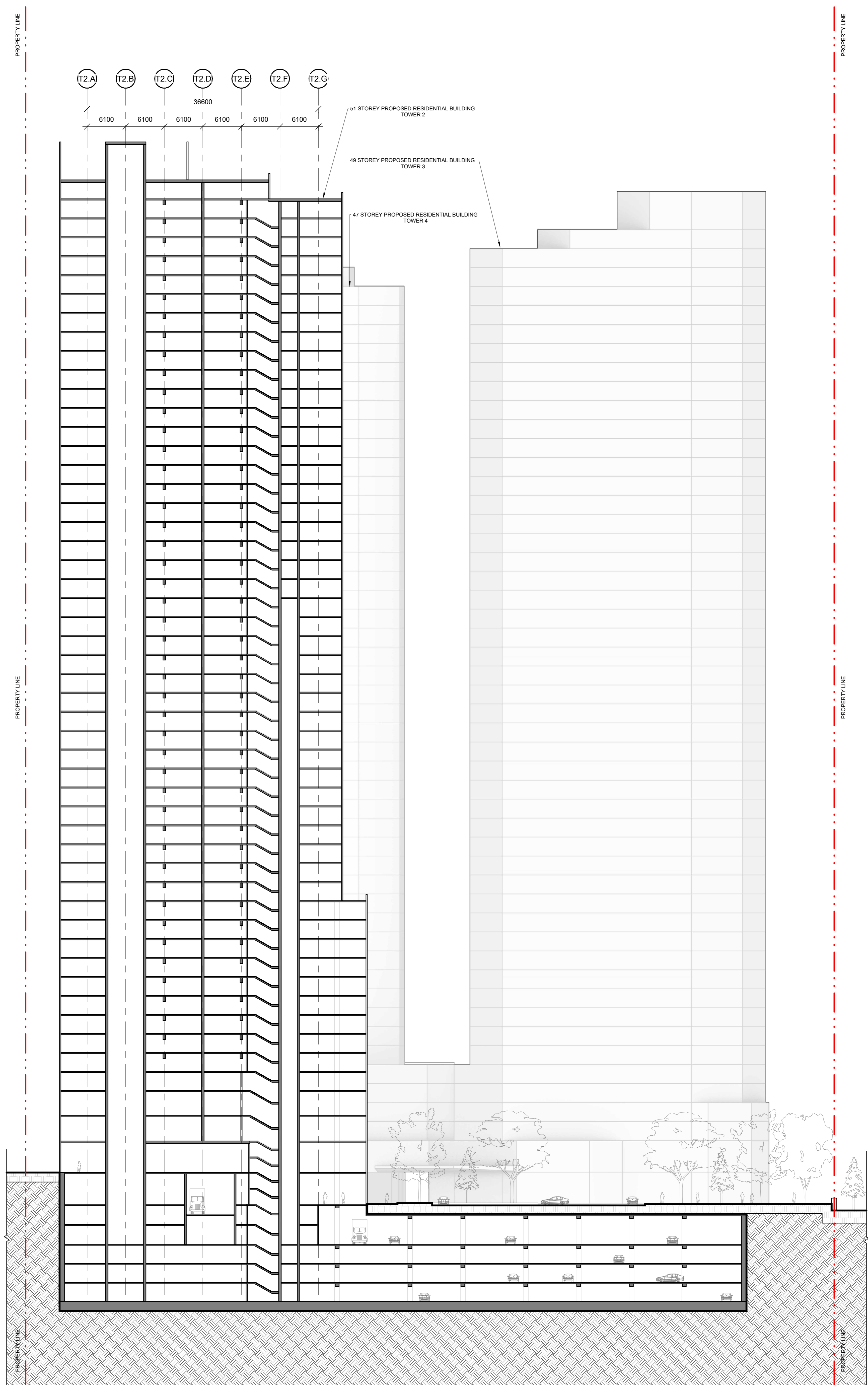
175 Wynford
175 Wynford Drive
North York, Ontario, Canada M3C 1J3

SHEET NAME:
**NORTH-SOUTH SECTION -
TOWER 2 & PUBLIC SPACE**

SHEET NUMBER:

A-301

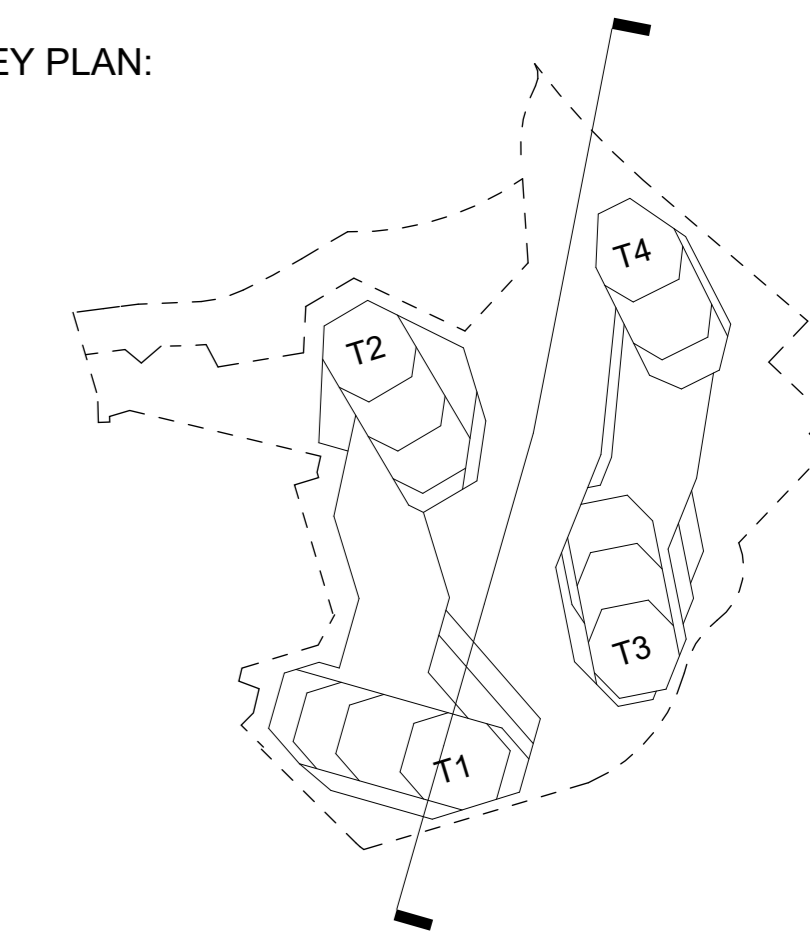
T2 MEP Penthouse	296000	RESIDENTIAL 21 LVLS AT 3M
T2 Top	296000	
T2 Level 51	293000	
T2 Level 50	290000	
T2 Level 49	287000	
T2 Level 48	284000	
T2 Level 47	281000	
T2 Level 46	278000	
T2 Level 45	275000	
T2 Level 44	272000	
T2 Level 43	269000	
T2 Level 42	266000	
T2 Level 41	263000	
T2 Level 40	260000	
T2 Level 39	257000	
T2 Level 38	254000	
T2 Level 37	251000	
T2 Level 36	248000	
T2 Level 35	245000	
T2 Level 34	242000	
T2 Level 33	239000	
T2 Level 32	236000	
T2 Level 31	233000	
T2 Level 30	230000	RESIDENTIAL / MEP
T2 Level 29	227000	
T2 Level 28	224000	
T2 Level 27	221000	
T2 Level 26	218000	
T2 Level 25	215000	
T2 Level 24	212000	
T2 Level 23	209000	
T2 Level 22	206000	
T2 Level 21	203000	
T2 Level 20	200000	
T2 Level 19	197000	
T2 Level 18	194000	
T2 Level 17	191000	
T2 Level 16	188000	
T2 Level 15	185000	
T2 Level 14	182000	
T2 Level 13	179000	
T2 Level 12	176000	
T2 Level 11	173000	
T2 Level 10	170000	
T2 Level 9	167000	
T2 Level 8	164000	
T2 Level 7	161000	
T2 Level 6	158000	
T2 Level 5	155000	
T2 Level 4	152000	
T2 Level 3	149000	
T2 Level 2	146000	
T2 Level 1	143000	
LEVEL B1M	129000	
LEVEL B1	126000	
LEVEL B2	123000	
LEVEL B3	120000	
LEVEL B4	117000	
LEVEL B4	114000	



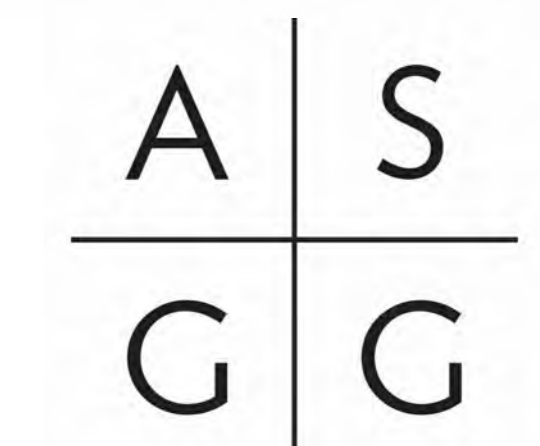
SECTION - TOWER 2 & PUBLIC SPACE ①



KEY PLAN:



AS+GG CANADA
PARTNERSHIP



30 WEST MONROE STREET SUITE 400 CHICAGO IL 60603
T 312 920 1888 F 312 920 1775

OWNERS:



FENGATE

Freed Developments + Fengage Properties

552 Wellington Street West, Suite 1500
Toronto, Ontario, Canada M5V 2V5

77 King Street West, Suite 3410
Toronto, Ontario, Canada M5K 1H1

NOT FOR
CONSTRUCTION

CONSULTANTS:

CIVIL
COUNTERPOINT ENGINEERING
8395 Jane Street, Suite 100
Vaughan, Ontario, Canada L4K 5Y2

GEOTECHNICAL
GROUNDED ENGINEERING
12 Banigan Drive
Toronto, Ontario, Canada M4H 1E9

LANDSCAPE
CLAUDE CORMIER + ASSOCIÉS INC.
1223, Rue Des Cartières, Studio A
Montréal, Québec, Canada H2S 2B1

PLANNING
BOUSFIELDS INC
3 Church Street, Suite 200
Toronto, Ontario, Canada M5E 1M2

TRAFFIC
LEA CONSULTING LTD.
625 Cochrane Drive, 9th Floor
Markham, Ontario, Canada L3R 9R9

ISSUED:

NO	DESCRIPTION	DATE
1	ZBA SUBMISSION	17 JUNE 2021
2	OLT REVISED PLANS	20 JAN 2023

PROJECT #: 221004 DRAWN BY: NS
CHECKED BY: JB

PROJECT NAME:

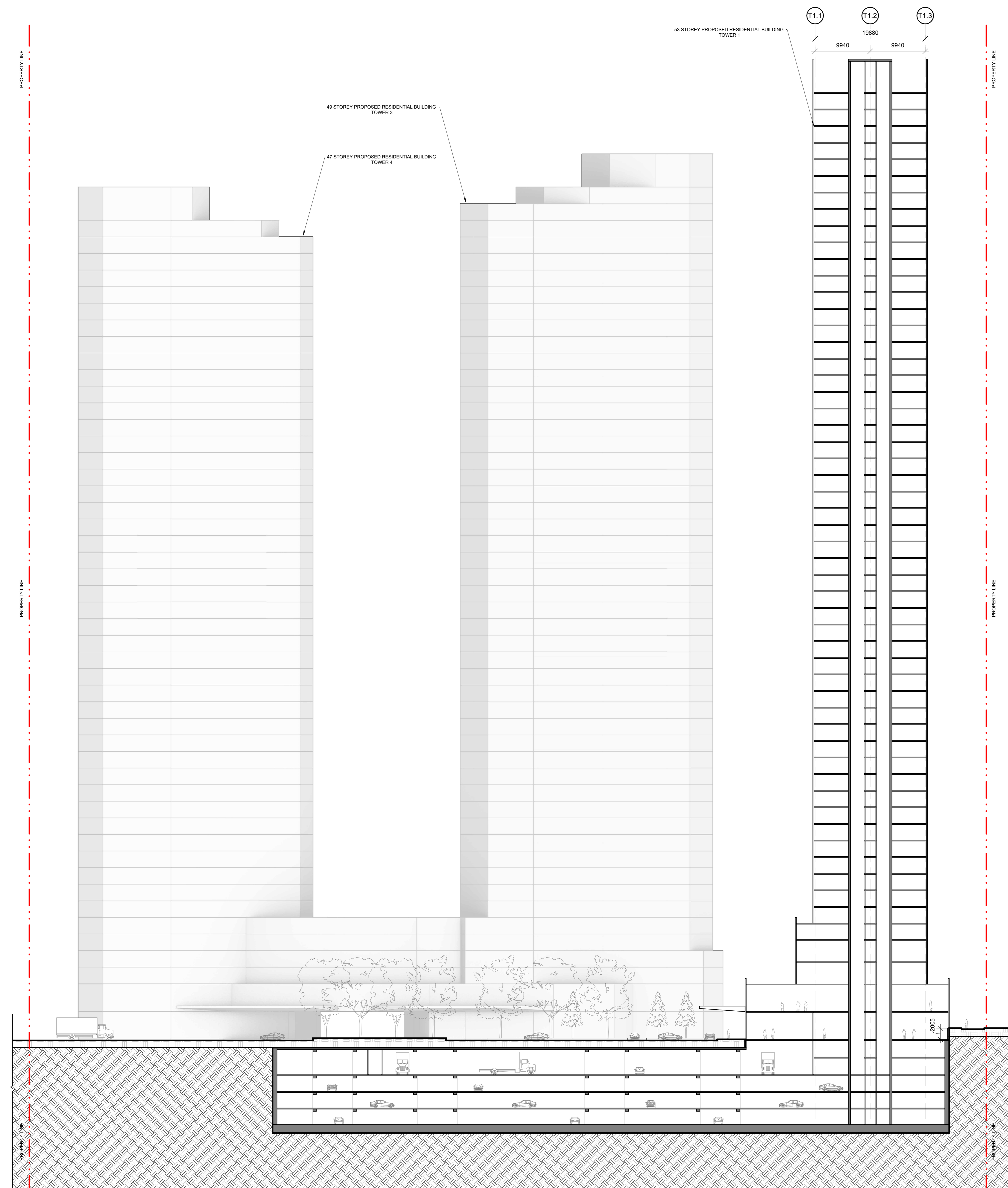
175 Wynford
175 Wynford Drive
North York, Ontario, Canada M3C 1J3

SHEET NAME:
**NORTH-SOUTH SECTION -
PRIVATE ROAD & TOWER 1**

SHEET NUMBER:

A-302

© 2023 AS+GG CANADA PARTNERSHIP

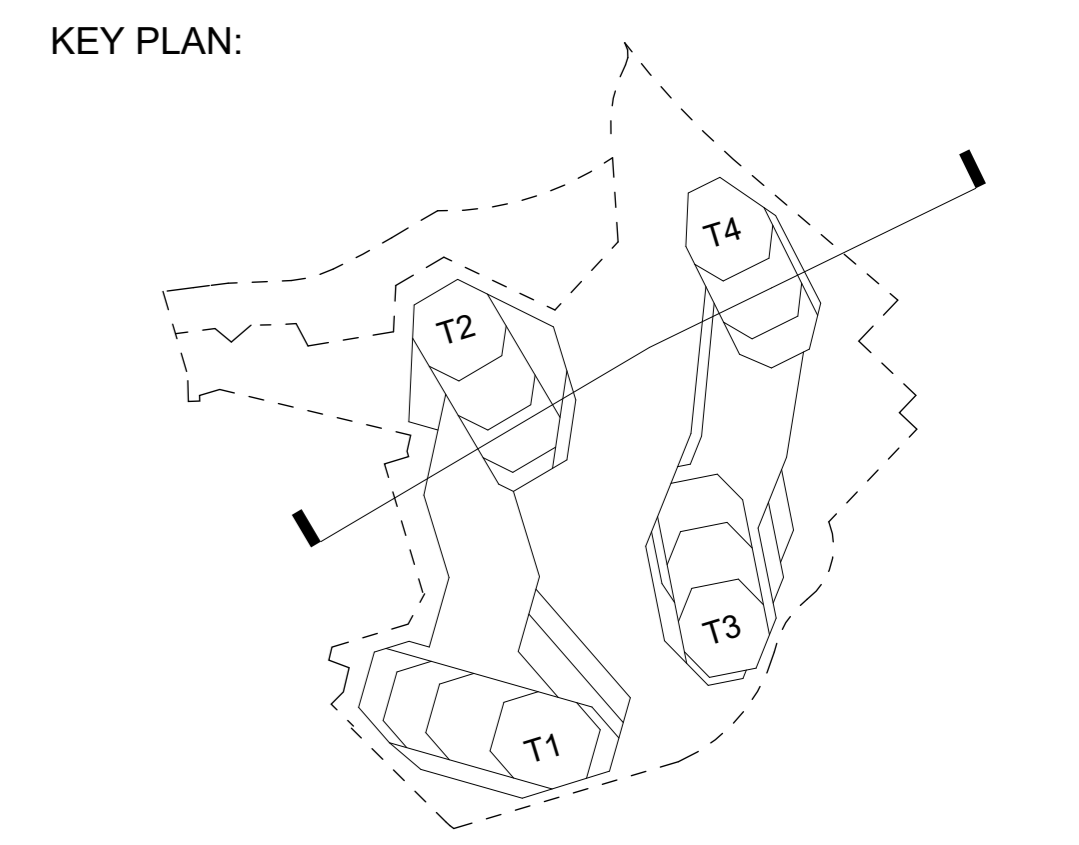


T1 MEP Penthouse	
T1 MEP Penthouse	
T1 Top	28900
T1 Level 53	29200
T1 Level 53	28900
T1 Level 52	28900
T1 Level 51	28300
T1 Level 50	28300
T1 Level 49	27700
T1 Level 48	27400
T1 Level 47	27100
T1 Level 46	26800
T1 Level 45	26500
T1 Level 44	26200
T1 Level 43	25900
T1 Level 42	25600
T1 Level 41	25300
T1 Level 40	25000
T1 Level 39	24700
T1 Level 38	24400
T1 Level 37	24100
T1 Level 36	23800
T1 Level 35	23500
T1 Level 34	23200
T1 Level 33	22900
T1 Level 32	22600
T1 Level 31	22300
T1 Level 30	22000
T1 Level 29	21700
T1 Level 28	21400
T1 Level 27	21100
T1 Level 26	20800
T1 Level 25	20500
T1 Level 24	20200
T1 Level 23	19900
T1 Level 22	19600
T1 Level 21	19300
T1 Level 20	19000
T1 Level 19	18700
T1 Level 18	18400
T1 Level 17	18100
T1 Level 16	17800
T1 Level 15	17500
T1 Level 14	17200
T1 Level 13	16900
T1 Level 12	16600
T1 Level 11	16300
T1 Level 10	16000
T1 Level 9	15700
T1 Level 8	15400
T1 Level 7	15100
T1 Level 6	14800
T1 Level 5	14500
T1 Level 4	14200
T1 Level 3	13900
T1 Level 2	13600
T1 Level 1	13300
T1 Level 0	13000
LEVEL B1	12700
LEVEL B1	12400
LEVEL B2	12100
LEVEL B3	11800
LEVEL B4	11500

SECTION - PRIVATE ROAD & TOWER 1 1



PLOT TIME: 1/19/2023 1:46:26 PM FILE PATH: C:\Users\mshah\OneDrive\Documents\221004_175 Wynford_Cover_4 TOWERB_1.mxd



30 WEST MONROE STREET SUITE 400 CHICAGO IL 60603
T 312 920 1888 F 312 920 1775

OWNERS:
fread **FENGATE**
Freed Developments + Fengage Properties
552 Wellington Street West, Suite 1500 Toronto, Ontario, Canada M5V 2V5
77 King Street West, Suite 3410 Toronto, Ontario, Canada M5K 1H1

NOT FOR CONSTRUCTION

CONSULTANTS:
CIVIL
COUNTERPOINT ENGINEERING
8395 Jane Street, Suite 100
Vaughan, Ontario, Canada L4K 5Y2
GEOTECHNICAL
GROUNDED ENGINEERING
12 Bannigan Drive
Toronto, Ontario, Canada M4H 1E9
LANDSCAPE
CLAUDE CORMIER + ASSOCIES INC.
1223, Rue Des Cartières, Studio A
Montréal, Québec, Canada H2S 2B1
PLANNING
BOUSFIELDS INC
3 Church Street, Suite 200
Toronto, Ontario, Canada M5E 1M2
TRAFFIC
LEA CONSULTING LTD.
625 Cochrane Drive, 9th Floor
Markham, Ontario, Canada L3R 9R9

ISSUED:

NO	DESCRIPTION	DATE
1	ZBA SUBMISSION	17 JUNE 2021
2	OLT REVISED PLANS	20 JAN 2023

PROJECT #: 221004 DRAWN BY: NS
CHECKED BY: MS

PROJECT NAME:
175 Wynford
175 Wynford Drive
North York, Ontario, Canada M3C 1J3

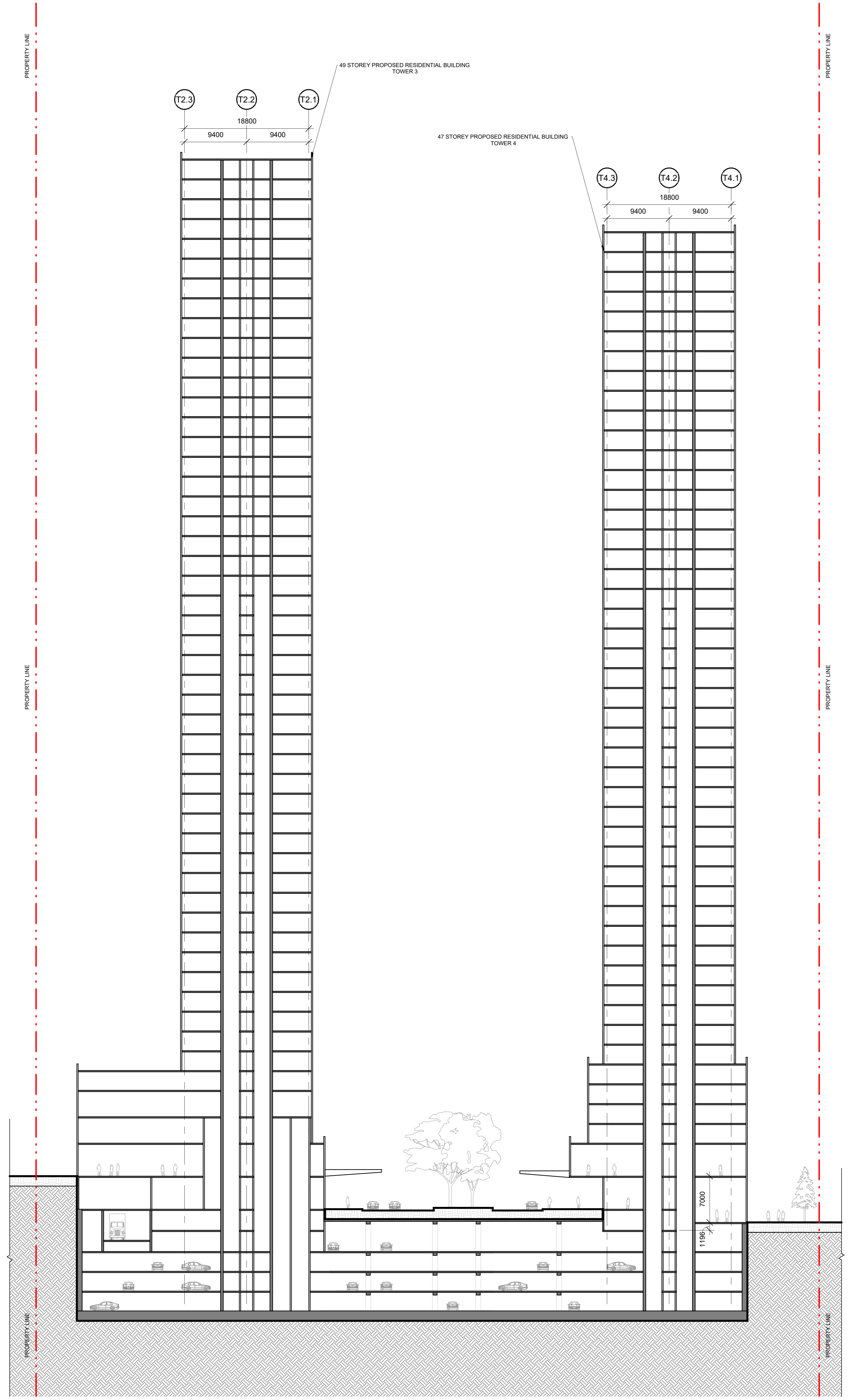
SHEET NAME:
**EAST-WEST SECTION - TOWER
2 & TOWER 4**

SHEET NUMBER:
A-303

© 2023 AS+GG CANADA PARTNERSHIP

PLOT TIME: 1/19/2023 1:46:27 PM FILE PATH: C:\Users\mstark\Documents\221004_175 Wynford_Cover_4 TOWER2_4 TOWER4_1.dwg

- T2 MEP Penthouse
- T2 MEP Penthouse
- T2 Top
- T2 Level 51
- T2 Level 50
- T2 Level 49
- T2 Level 48
- T2 Level 47
- T2 Level 46
- T2 Level 45
- T2 Level 44
- T2 Level 43
- T2 Level 42
- T2 Level 41
- T2 Level 40
- T2 Level 39
- T2 Level 38
- T2 Level 37
- T2 Level 36
- T2 Level 35
- T2 Level 34
- T2 Level 33
- T2 Level 32
- T2 Level 31
- T2 Level 30
- T2 Level 29
- T2 Level 28
- T2 Level 27
- T2 Level 26
- T2 Level 25
- T2 Level 24
- T2 Level 23
- T2 Level 22
- T2 Level 21
- T2 Level 20
- T2 Level 19
- T2 Level 18
- T2 Level 17
- T2 Level 16
- T2 Level 15
- T2 Level 14
- T2 Level 13
- T2 Level 12
- T2 Level 11
- T2 Level 10
- T2 Level 9
- T2 Level 8
- T2 Level 7
- T2 Level 6
- T2 Level 5
- T2 Level 4
- T2 Level 3
- T2 Level 2
- T2 Level 1
- LEVEL B1M
- LEVEL B1
- LEVEL B2
- LEVEL B3
- LEVEL B4



- T4 MEP Penthouse
- T4 MEP Penthouse
- T4 Top
- T4 Level 47
- T4 Level 46
- T4 Level 45
- T4 Level 44
- T4 Level 43
- T4 Level 42
- T4 Level 41
- T4 Level 40
- T4 Level 39
- T4 Level 38
- T4 Level 37
- T4 Level 36
- T4 Level 35
- T4 Level 34
- T4 Level 33
- T4 Level 32
- T4 Level 31
- T4 Level 30
- T4 Level 29
- T4 Level 28
- T4 Level 27
- T4 Level 26
- T4 Level 25
- T4 Level 24
- T4 Level 23
- T4 Level 22
- T4 Level 21
- T4 Level 20
- T4 Level 19
- T4 Level 18
- T4 Level 17
- T4 Level 16
- T4 Level 15
- T4 Level 14
- T4 Level 13
- T4 Level 12
- T4 Level 11
- T4 Level 10
- T4 Level 9
- T4 Level 8
- T4 Level 7
- T4 Level 6
- T4 Level 5
- T4 Level 4
- T4 Level 3
- T4 Level 2
- T4 Level 1
- T4 LEVEL B1M
- LEVEL B1
- LEVEL B2
- LEVEL B3
- LEVEL B4

SECTION - TOWER 2 & TOWER 4

