

Browne & Perry
JOINERY CO.

Reproduction Window/Door Proposal

Browne & Perry
JOINERY CO.

9 Drumsnab Rd

Ciaran Browne, BscEng, CAHP
Browne & Perry Joinery Co.
3-14 Cataraqui St. | Kingston, ON |
K7K 1Z7
CiaranBrowne@browneperry.com
Tel: (613) 326-8114 |

Purpose of Document

The purpose of this document is to demonstrate that, by using traditional joinery techniques and solid wood construction, it is possible to produce "like-for-like" window or door replacements that preserve the architectural integrity of the original design while incorporating modern thermal glazing units to enhance both comfort and security.

Scope of work

The existing heritage windows on the main elevation and the main entrance door.

Existing Windows: A3 – A7

A 6-over-12 window from the first-floor main elevation was used as the basis for measurement. Particular attention was given to the dimensions of the stiles, bottom rail, meeting rail, sash horns, muntin bars, and overall muntin bar layout. These measurements have informed the design of the proposed replacement windows.

Reproduction Windows with insulated glass: A8 - A17, A18 - A19

As can be seen from the elevation drawings, there is very little discernible difference between the proposed and existing elevations.

Specially fabricated thermal glazing units with a 5/16" sightline will be used, allowing for minimal change to the width of the muntin bars. The new muntin bars will be only 1/16" wider than the originals. These units will be incorporated into a true divided lite construction, maintaining the depth and character of the original design. A narrow 1 1/2" meeting rail will also be retained and incorporated into the new windows, and the exterior beaded casing will be preserved.

The most significant deviation from the original windows will be the thickness of the sash. The existing sash are 1 3/4", whereas the new sash will be 2 1/4". This difference will not be readily noticeable. The increased thickness allows for the incorporation of insulated glass while retaining the depth of the interior struck profile.

The new windows will be fabricated in the same manner as the originals, using through mortise-and-tenon, coped joinery. The frames will be constructed from hardwood (sapele or red grandis), while the sash will be made from Accoya. With appropriate maintenance, these components are expected to last for generations. They will also be readily repairable and capable of accommodating future advancements in glazing technology, such as vacuum-insulated glass.

Window Restoration: A20

One original window on the second story East wall will be retained. It will be restored in order to make sound and weather tight.

GENERAL NOTES

Browne & Perry
JOINERY CO.

9 Drumsnab Rd

Ciaran Browne, BscEng, CAHP
Browne & Perry Joinery Co.
3-14 Cataragui St. | Kingston, ON |
K7K 1Z7
CiaranBrowne@browneperry.com
Tel: (613) 326-8114 |

1

A

Front entrance Assembly Adjustment A21 - A22

The existing door system was altered during a 1998 renovation, most notably through modifications to the sidelights to accommodate thermal glazing units. This intervention compromised the architectural integrity of the assembly, with the glazing appearing to be retained by overly wide and visually intrusive panel mouldings.

The proposed elongated entrance door has been designed in close accordance with the original architectural drawings (circa 1925), which illustrate a door composition more appropriate to the Georgian Revival style of the house. The transom will retain its original leaded glass, and the door will remain a solid wood six-panel configuration. The sidelights will be reconstructed as true divided lite sash over panel, incorporating narrow muntin bars consistent with the rest of the house. The existing pilasters will be retained.

GENERAL NOTES

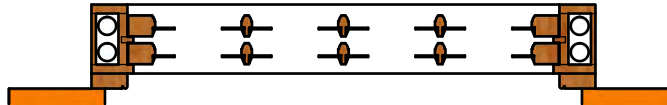
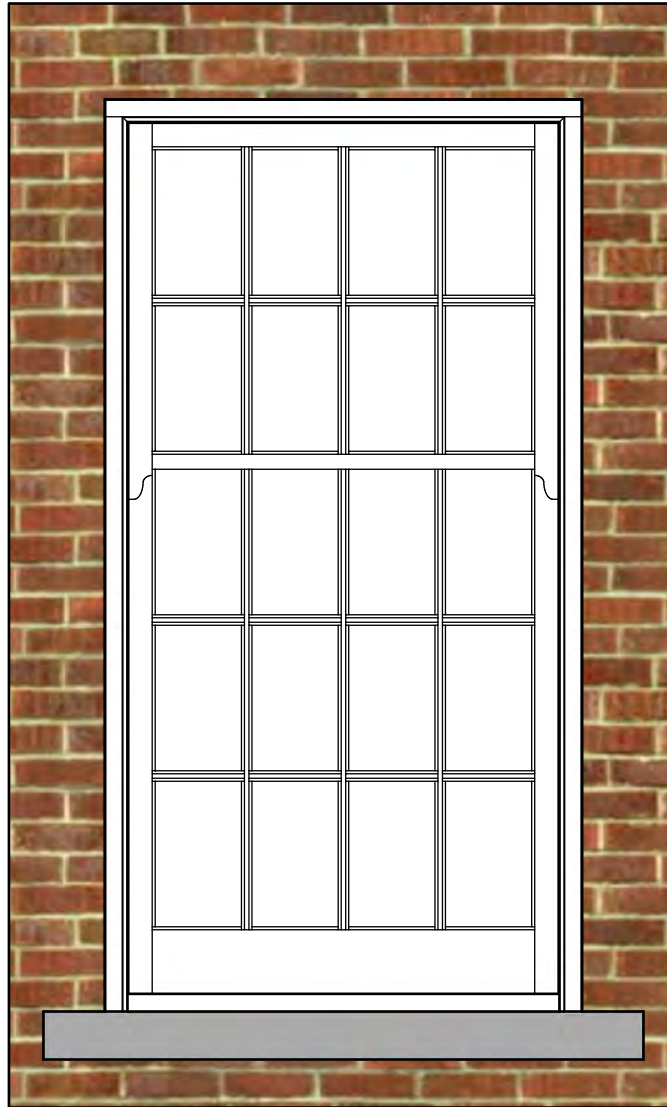
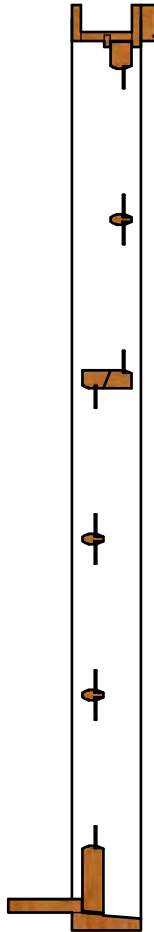
Browne & Perry
JOINERY CO.

9 Drumsnab Rd

Ciaran Browne, BscEng, CAHP
Browne & Perry Joinery Co.
3-14 Cataraqui St. | Kingston, ON |
K7K 1Z7
CiaranBrowne@browneperry.com
Tel: (613) 326-8114 |

A 2

A

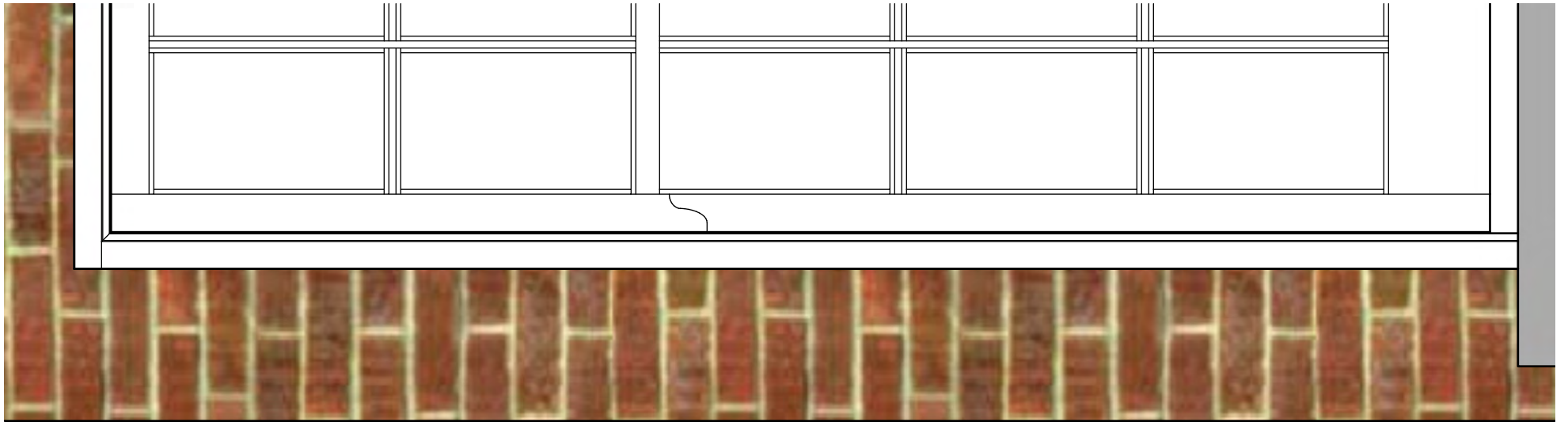


Original Window Elevation

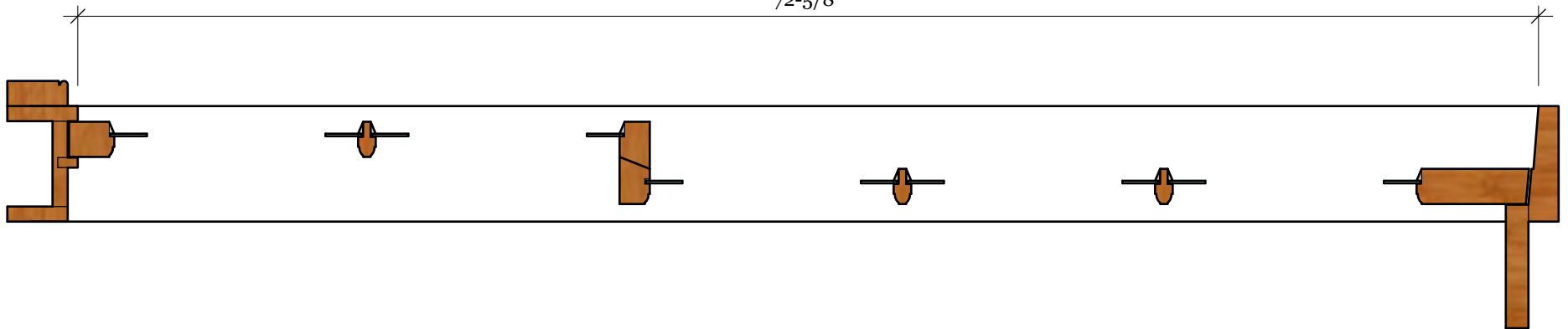
Browne & Perry
JOINERY CO.

9 Drumsnab Rd

Ciaran Browne, BscEng, CAHP
Browne & Perry Joinery Co.
3-14 Cataraqui St. | Kingston, ON |
K7K 1Z7
CiaranBrowne@browneperry.com
Tel: (613) 326-8114 |



72-5/8"



Original Window Elevation

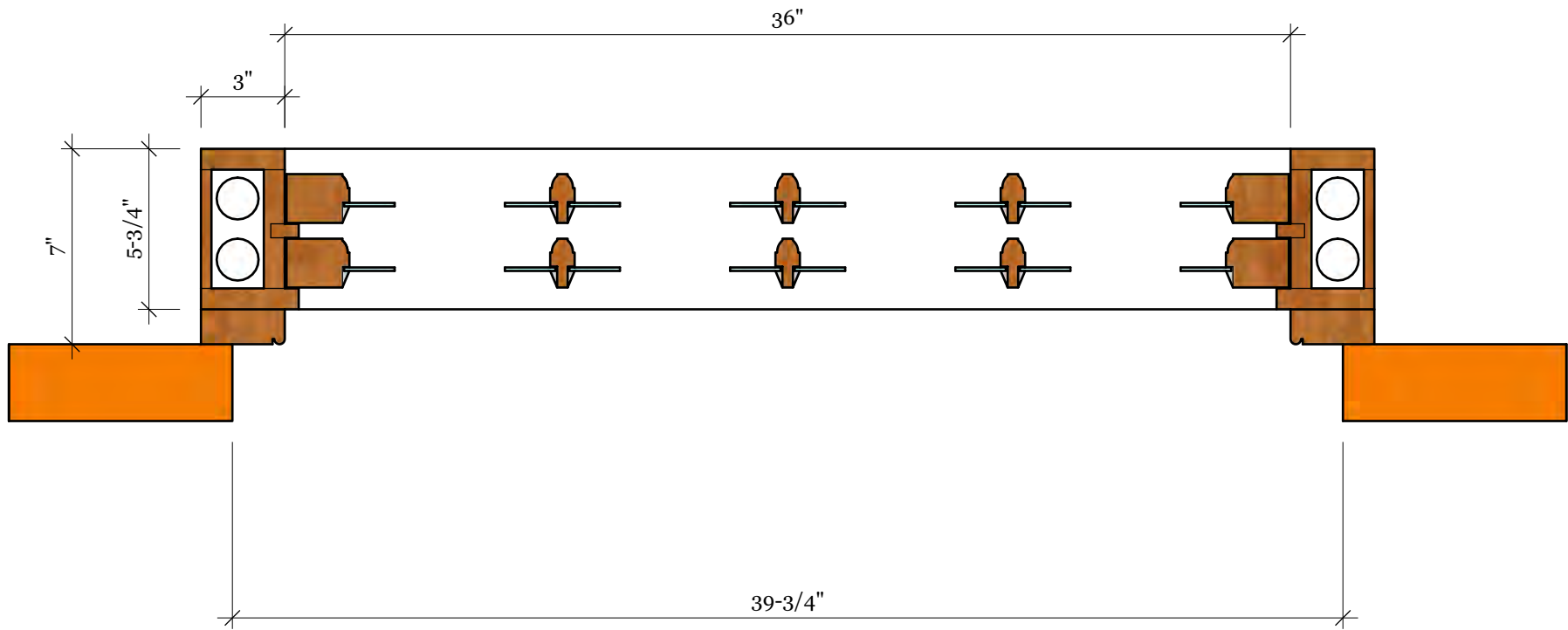
Browne & Perry
JOINERY CO.

9 Drumsnab Rd

Ciaran Browne, BscEng, CAHP
Browne & Perry Joinery Co.
3-14 Cataraqui St. | Kingston, ON |
K7K 1Z7
CiaranBrowne@browneperry.com
Tel: (613) 326-8114 |

4

A



Original Window Plan

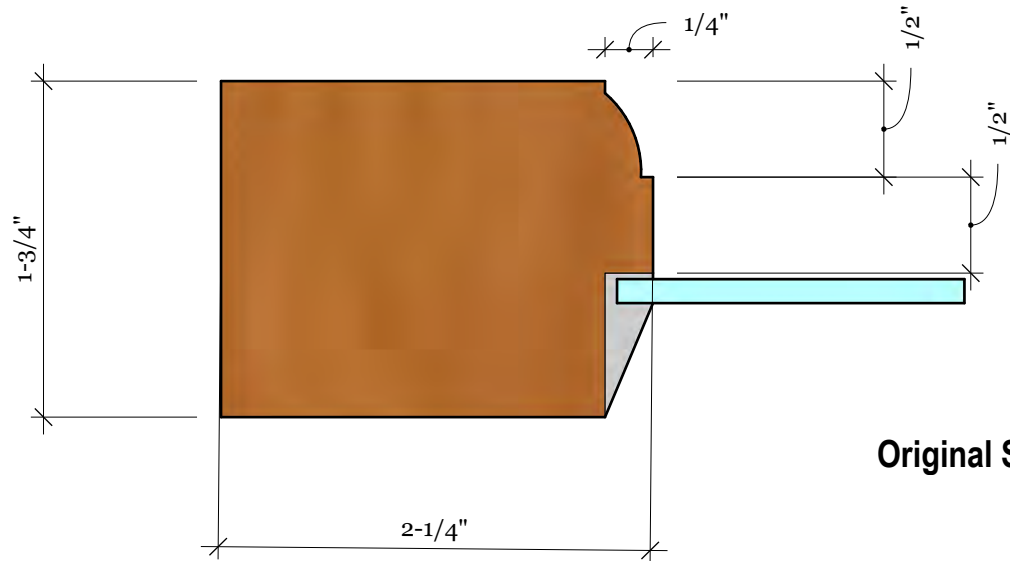
Browne & Perry
JOINERY CO.

9 Drumsnab Rd

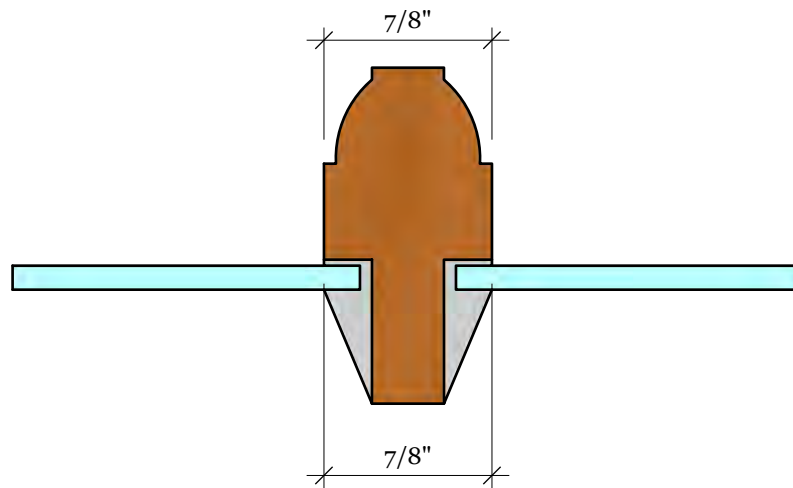
Ciaran Browne, BscEng, CAHP
Browne & Perry Joinery Co.
3-14 Cataraqui St. | Kingston, ON |
K7K 1Z7
CiaranBrowne@browneperry.com
Tel: (613) 326-8114 |

5

A



Original Stile Detail



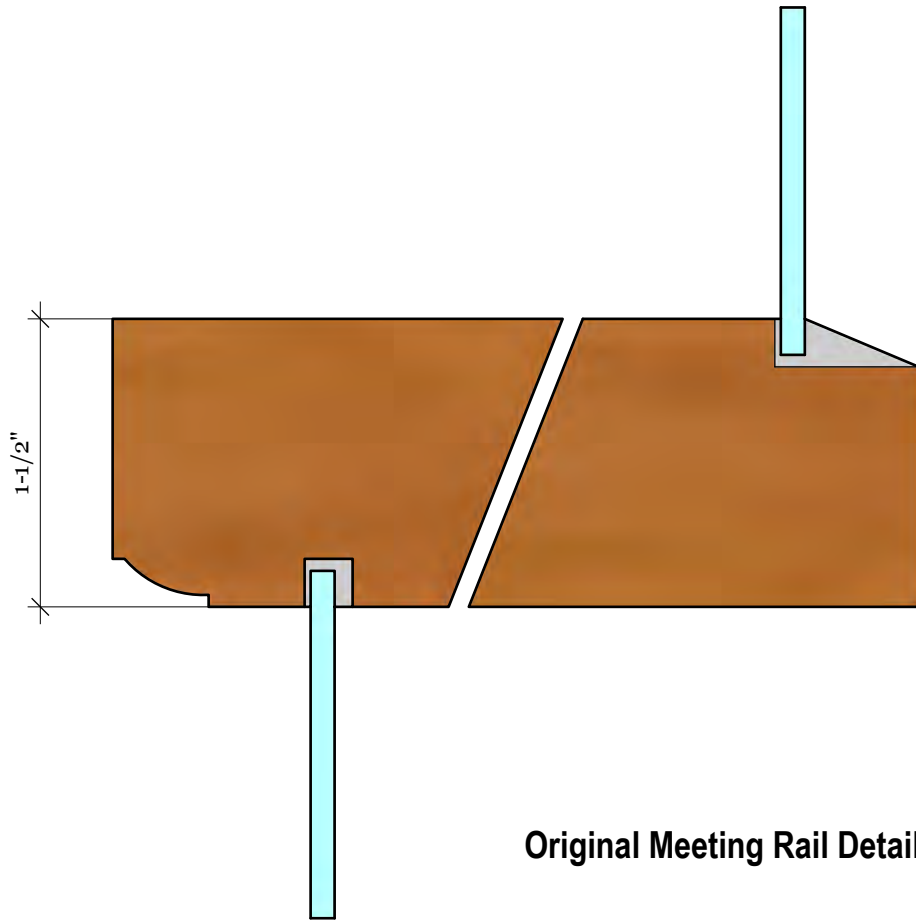
Original Muntin Detail

Original Sash Details

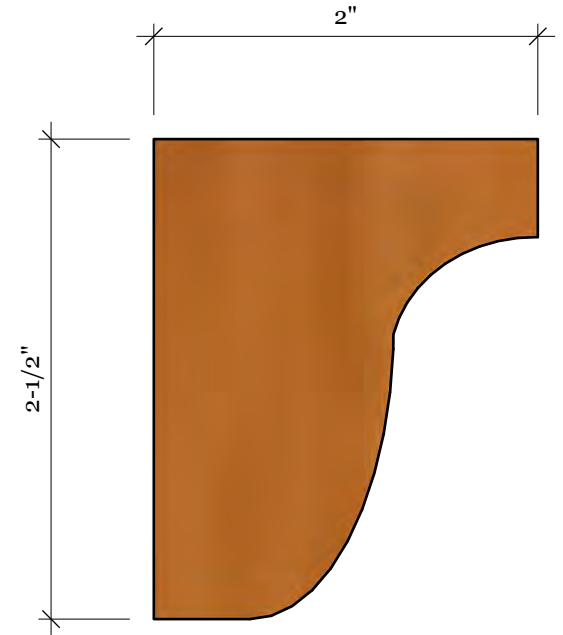
Browne & Perry
JOINERY CO.

9 Drumsnab Rd

Ciaran Browne, BscEng, CAHP
Browne & Perry Joinery Co.
3-14 Cataraqui St. | Kingston, ON |
K7K 1Z7
CiaranBrowne@browneperry.com
Tel: (613) 326-8114 |



Original Meeting Rail Detail



Original Horn Detail

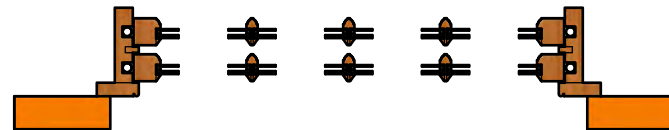
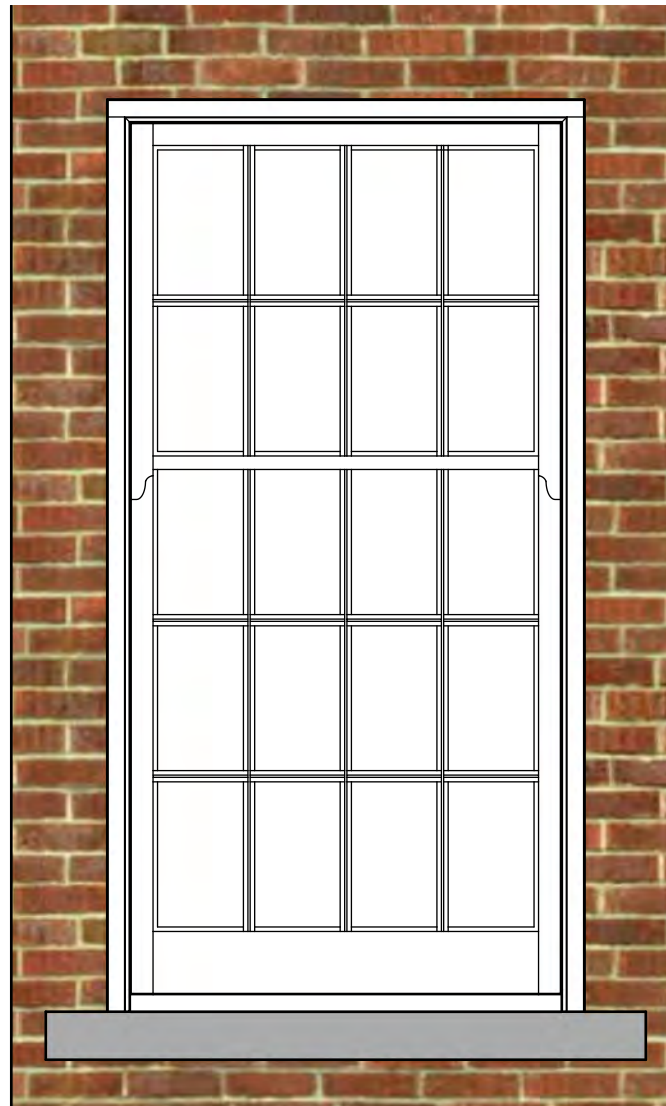
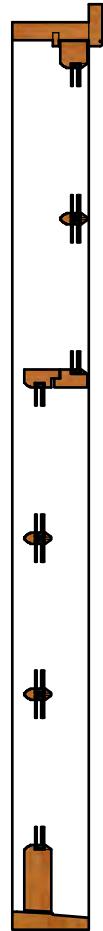
Original Sash Details

Browne & Perry
JOINERY CO.

9 Drumsnab Rd

Ciaran Browne, BscEng, CAHP
Browne & Perry Joinery Co.
3-14 Cataraqui St. | Kingston, ON |
K7K 1Z7
CiaranBrowne@browneperry.com
Tel: (613) 326-8114 |

Reproduction Window W/Insulated Glass
True Divided Lite

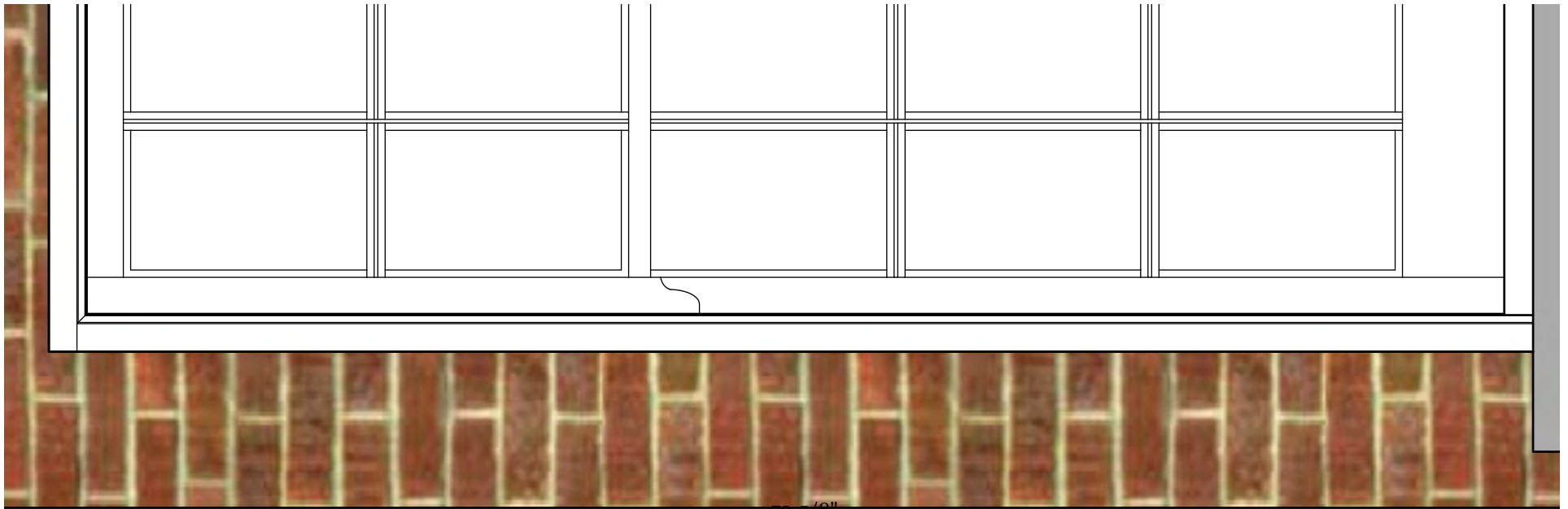


Reproduction Window W/Insulated Glass

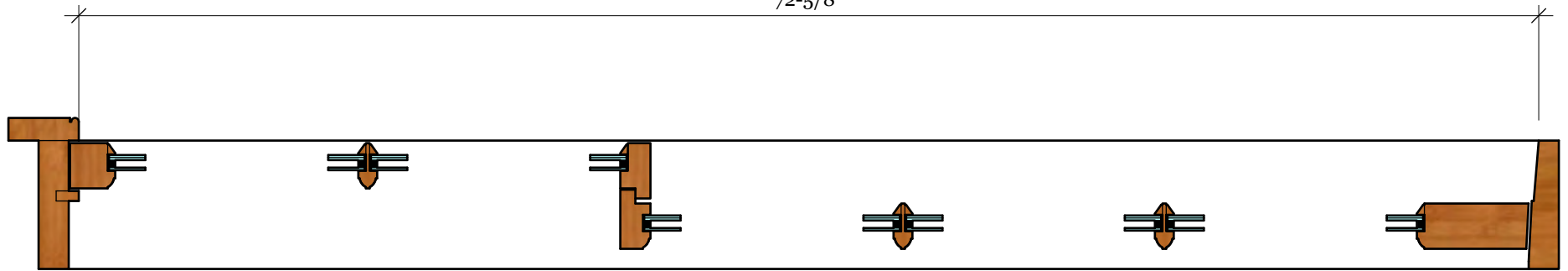
Browne & Perry
JOINERY CO.

9 Drumsnab Rd

Ciaran Browne, BscEng, CAHP
Browne & Perry Joinery Co.
3-14 Cataraqui St. | Kingston, ON |
K7K 1Z7
CiaranBrowne@browneperry.com
Tel: (613) 326-8114 |



72-5/8"



72-5/8"

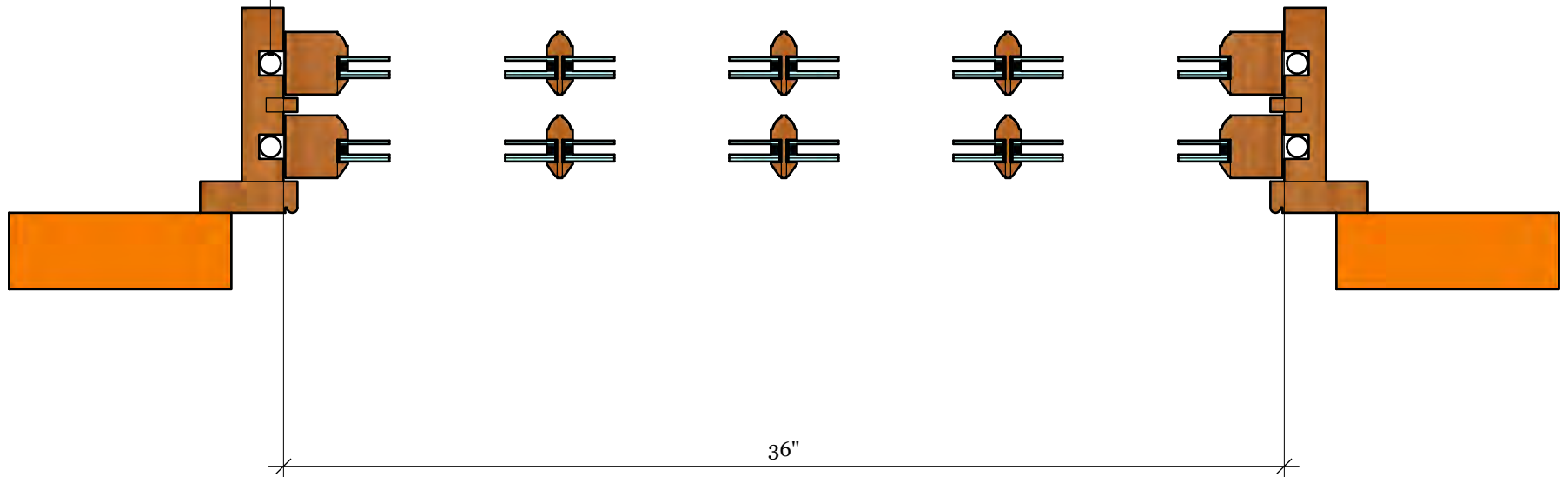
Reproduction Window W/Insulated Glass. True
Divided lite. Elevation

Browne & Perry
JOINERY CO.

9 Drumsnab Rd

Ciaran Browne, BscEng, CAHP
Browne & Perry Joinery Co.
3-14 Cataraqui St. | Kingston, ON |
K7K 1Z7
CiaranBrowne@browneperry.com
Tel: (613) 326-8114 |

Spiral Spring Balance



Reproduction Window W/Insulated Glass
True Divided lite. Plan

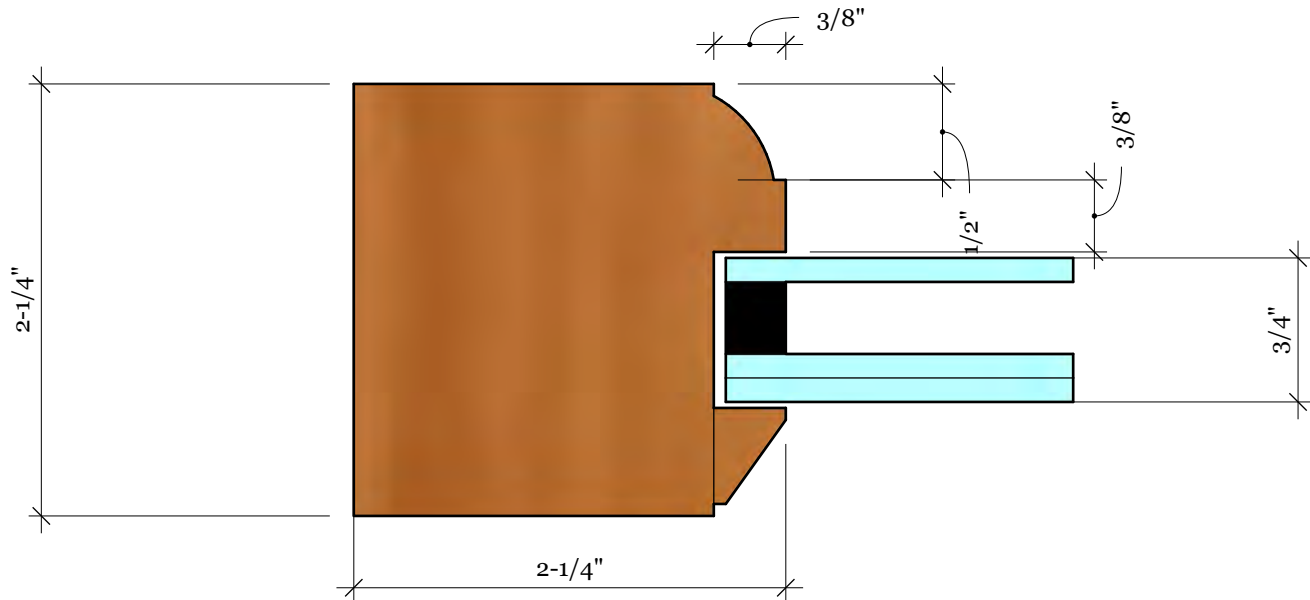
Browne & Perry
JOINERY CO.

9 Drumsnab Rd

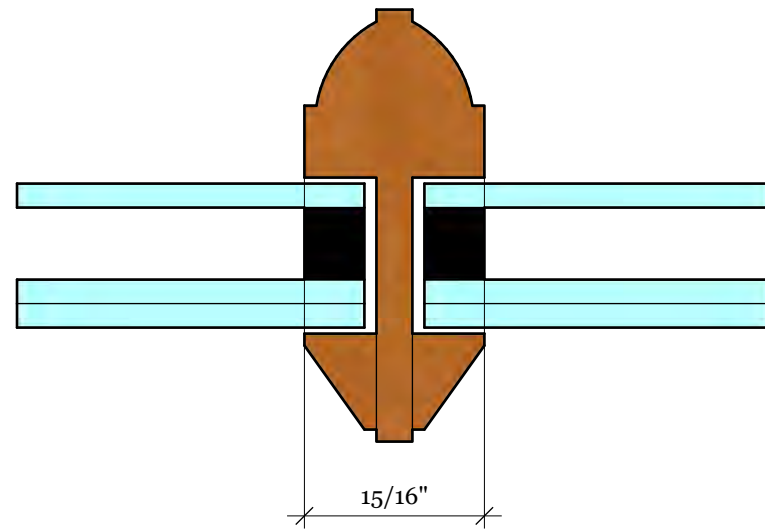
Ciaran Browne, BscEng, CAHP
Browne & Perry Joinery Co.
3-14 Cataraqui St. | Kingston, ON |
K7K 1Z7
CiaranBrowne@browneperry.com
Tel: (613) 326-8114 |

A

10



Stile Detail



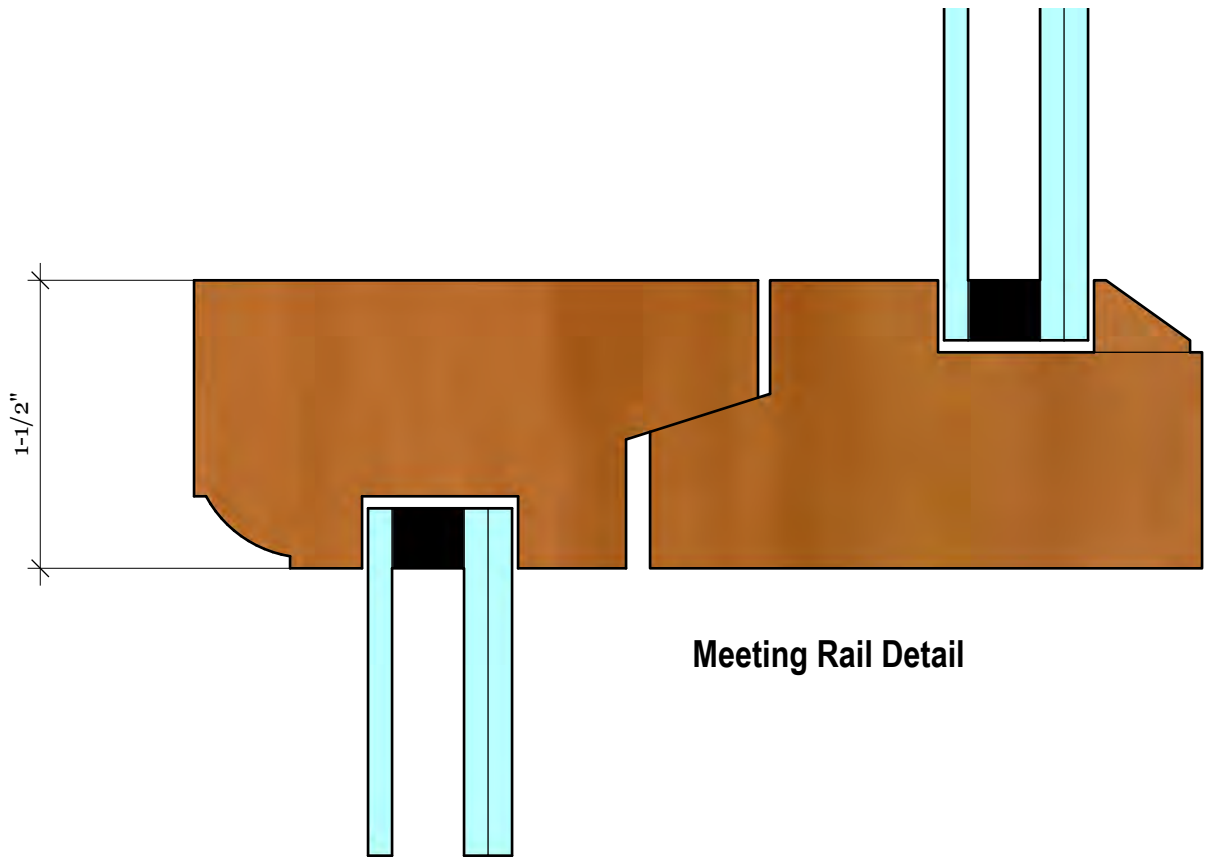
Muntin Detail

Reproduction Window W/Insulated Glass
Details

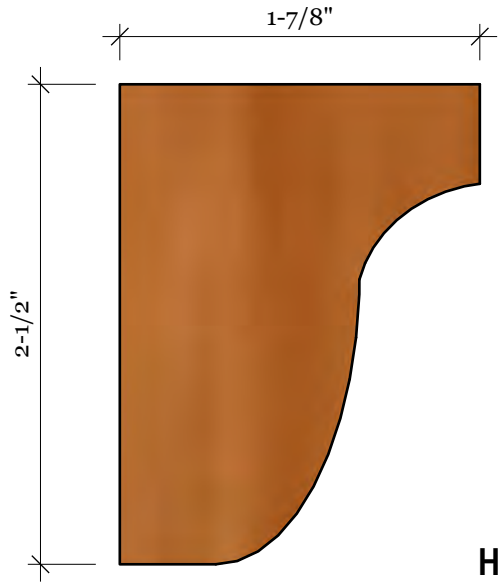
Browne & Perry
JOINERY CO.

9 Drumsnab Rd

Ciaran Browne, BscEng, CAHP
Browne & Perry Joinery Co.
3-14 Cataraqui St. | Kingston, ON |
K7K 1Z7
CiaranBrowne@browneperry.com
Tel: (613) 326-8114 |



Meeting Rail Detail



Horn Detail

Reproduction Window W/Insulated Glass
Details

Browne & Perry
JOINERY CO.

9 Drumsnab Rd

Ciaran Browne, BscEng, CAHP
Browne & Perry Joinery Co.
3-14 Cataraqui St. | Kingston, ON |
K7K 1Z7
CiaranBrowne@browneperry.com
Tel: (613) 326-8114 |



Casing Detail

Reproduction Window W/Insulated Glass
Details

Browne & Perry
JOINERY CO.

9 Drumsnab Rd

Ciaran Browne, BscEng, CAHP
Browne & Perry Joinery Co.
3-14 Cataraqui St. | Kingston, ON |
K7K 1Z7
CiaranBrowne@browneperry.com
Tel: (613) 326-8114 |



Reproduction Window W/Insulated Glass
Example

Browne & Perry
JOINERY CO.

9 Drumsnab Rd

Ciaran Browne, BscEng, CAHP
Browne & Perry Joinery Co.
3-14 Cataraqui St. | Kingston, ON |
K7K 1Z7
CiaranBrowne@browneperry.com
Tel: (613) 326-8114 |



Traditional Through Mortise/Tenon/Coped Joinery

Reproduction Window W/Insulated Glass
Example

Browne & Perry
JOINERY CO.

9 Drumsnab Rd

Ciaran Browne, BscEng, CAHP
Browne & Perry Joinery Co.
3-14 Cataraqui St. | Kingston, ON |
K7K 1Z7
CiaranBrowne@browneperry.com
Tel: (613) 326-8114 |



Reproduction Window W/Insulated Glass
Example

Browne & Perry
JOINERY CO.

9 Drumsnab Rd

Ciaran Browne, BscEng, CAHP
Browne & Perry Joinery Co.
3-14 Cataraqui St. | Kingston, ON |
K7K 1Z7
CiaranBrowne@browneperry.com
Tel: (613) 326-8114 |

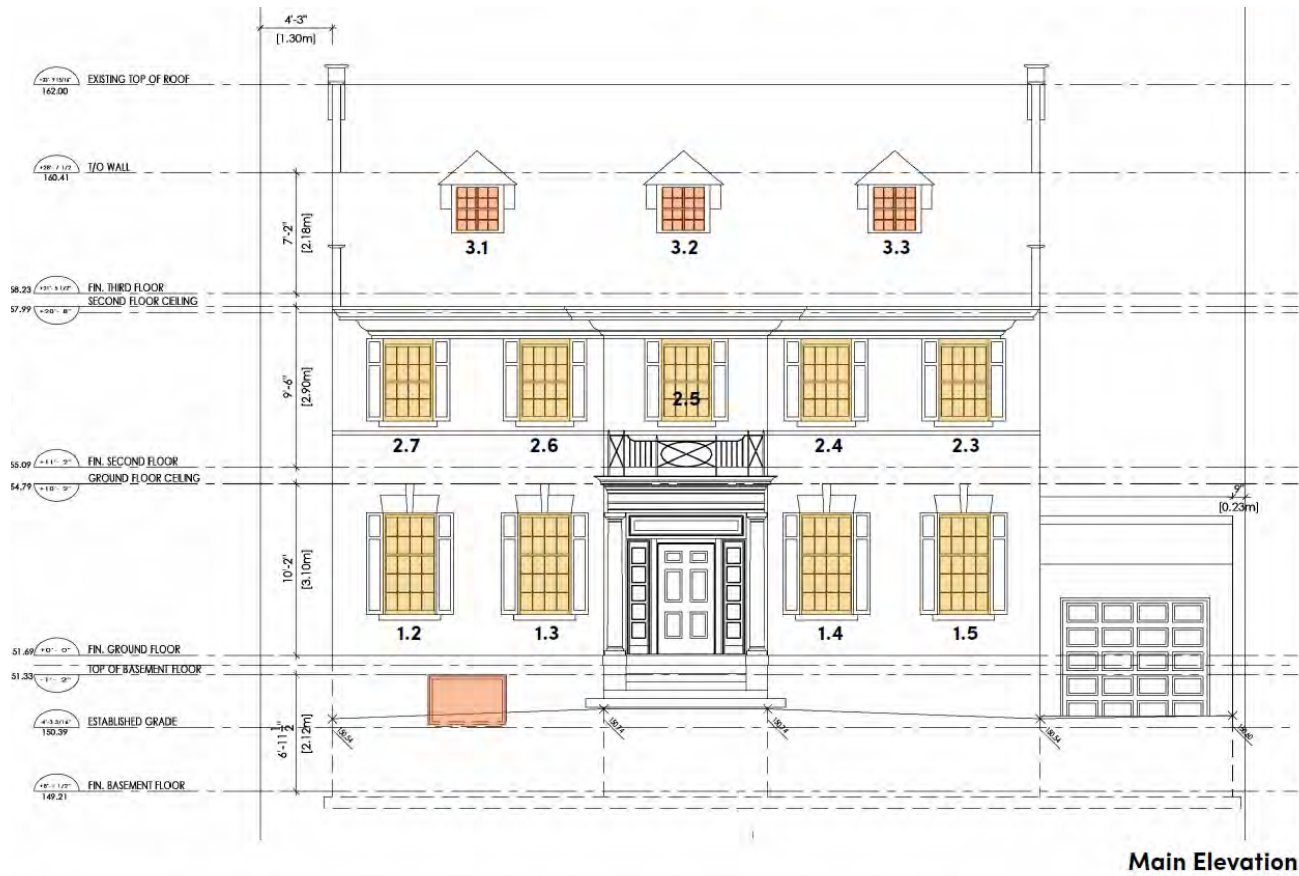


Reproduction Window W/Insulated Glass
Example

Browne & Perry
JOINERY CO.

9 Drumsnab Rd

Ciaran Browne, BscEng, CAHP
Browne & Perry Joinery Co.
3-14 Cataraqui St. | Kingston, ON |
K7K 1Z7
CiaranBrowne@browneperry.com
Tel: (613) 326-8114 |



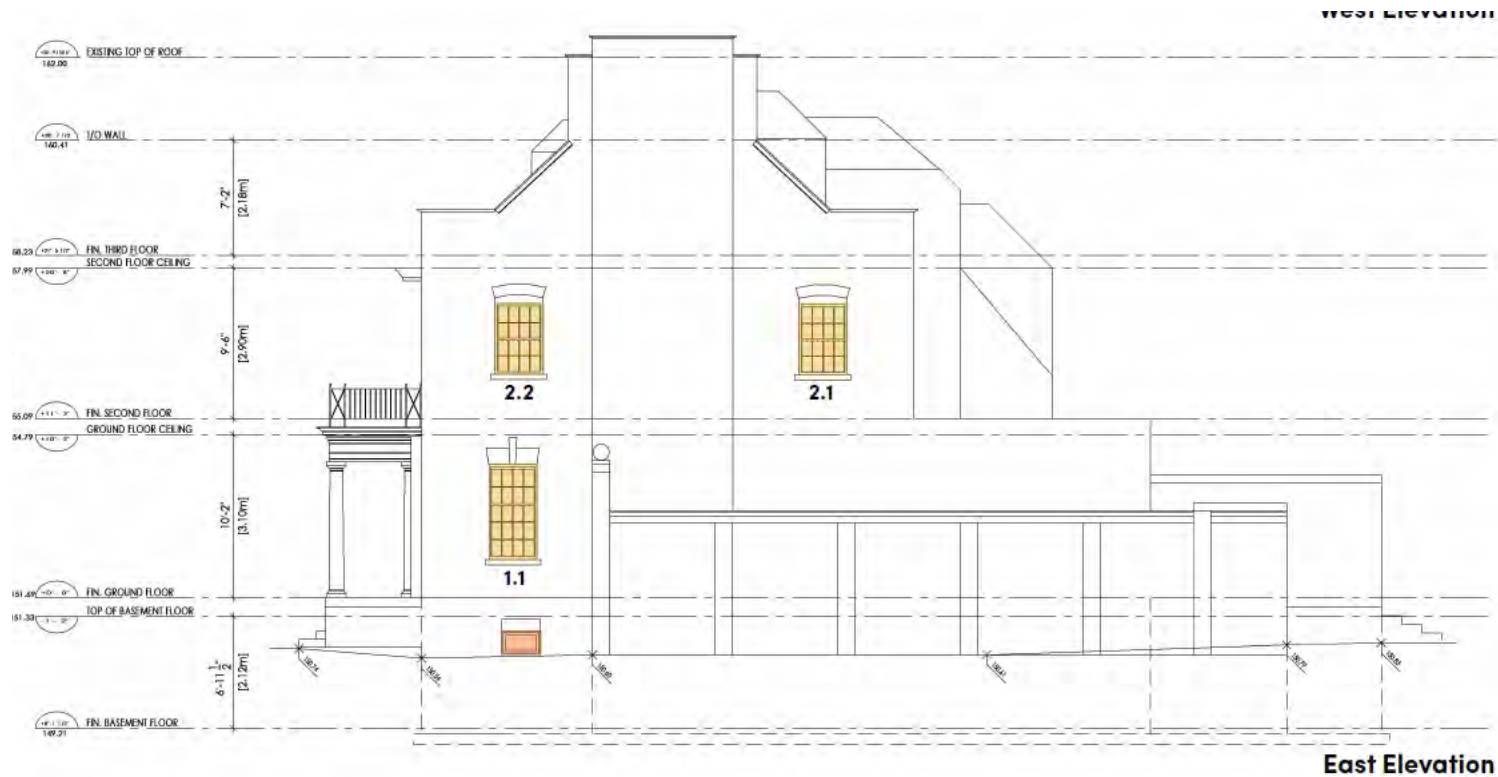
Windows: 1.2, 1.3, 1.4, 1.5, 2.3, 2.4, 2.5, 2.6, 2.7

Location of Proposed Reproduction Windows

Browne & Perry
JOINERY CO.

9 Drumsnab Rd

Ciaran Browne, BscEng, CAHP
Browne & Perry Joinery Co.
3-14 Cataraqui St. | Kingston, ON |
K7K 1Z7
CiaranBrowne@browneperry.com
Tel: (613) 326-8114 |



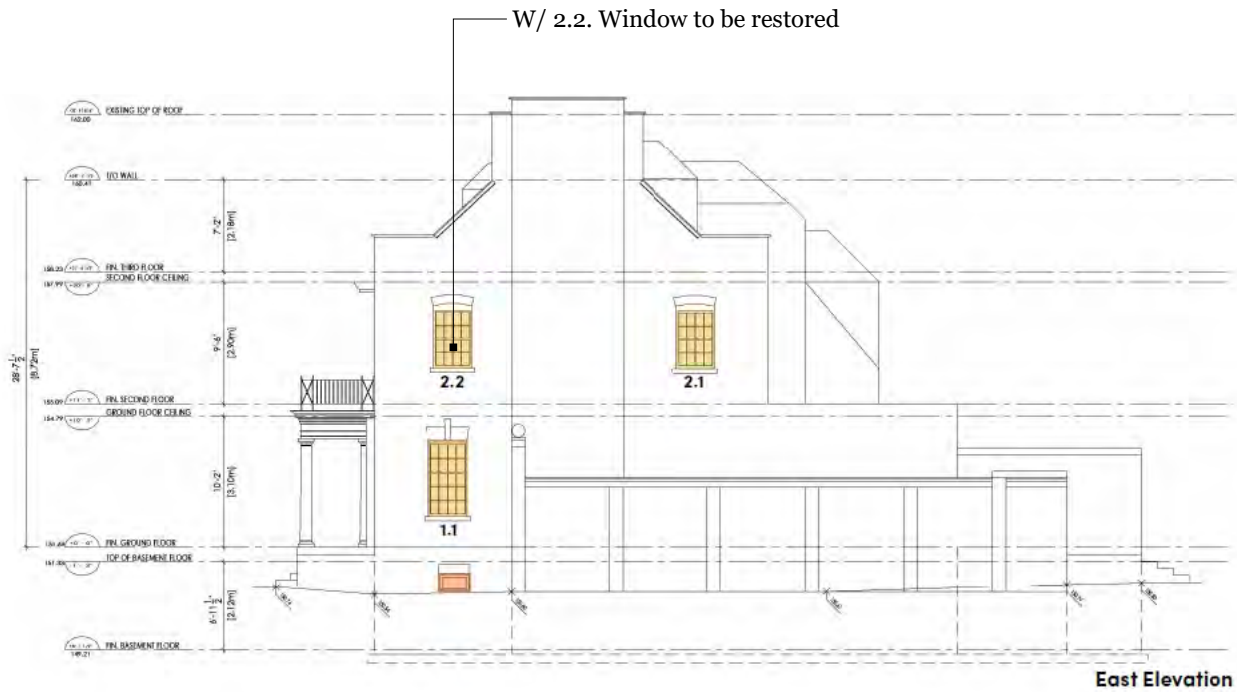
Windows: 1.1

Location of Proposed Reproduction Windows

Browne & Perry
JOINERY CO.

9 Drumsnab Rd

Ciaran Browne, BscEng, CAHP
Browne & Perry Joinery Co.
3-14 Cataraqui St. | Kingston, ON |
K7K 1Z7
CiaranBrowne@browneperry.com
Tel: (613) 326-8114 |

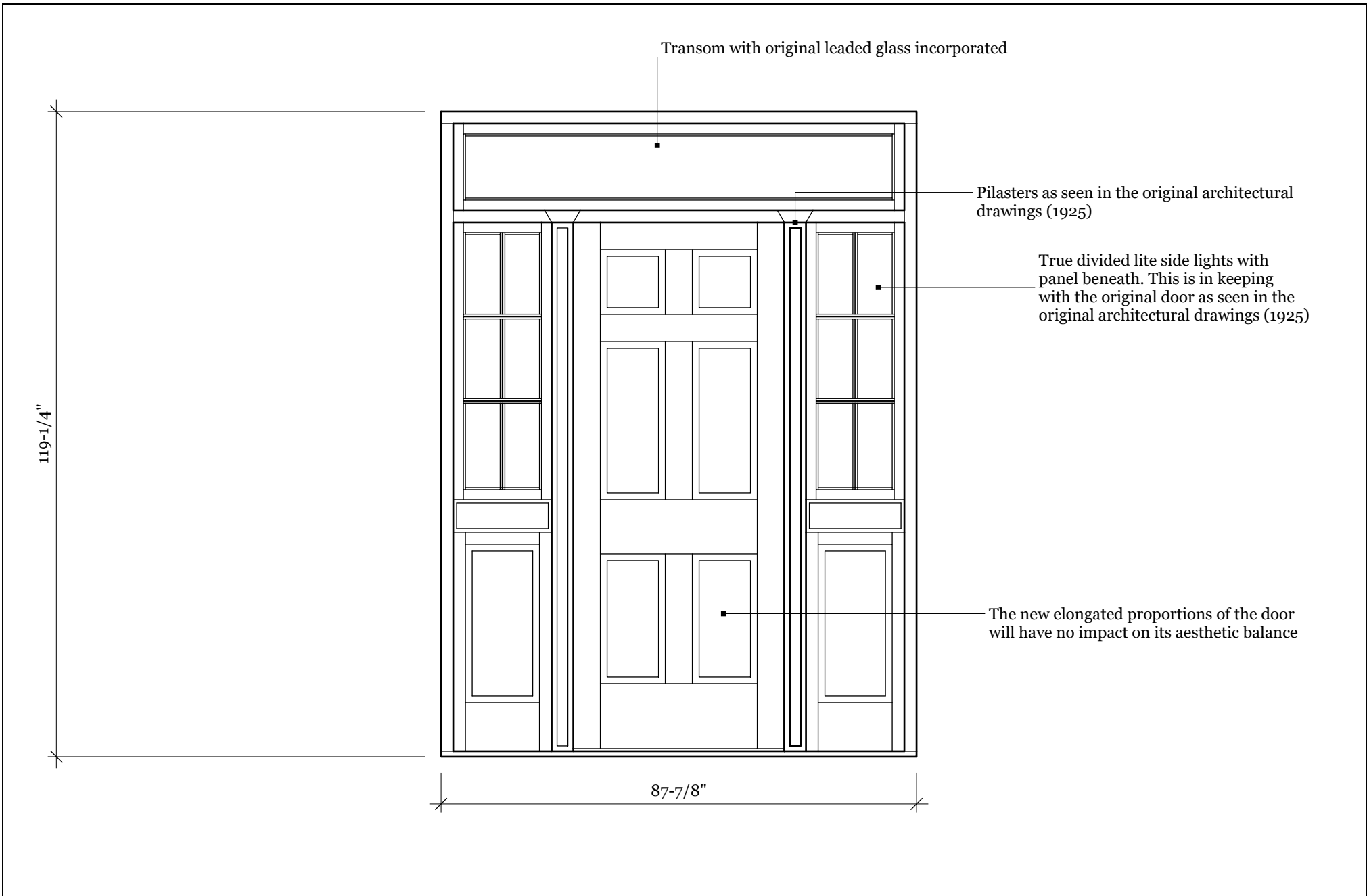


Location of Proposed window Restoration

Browne & Perry
JOINERY CO.

9 Drumsnab Rd

Ciaran Browne, BscEng, CAHP
Browne & Perry Joinery Co.
3-14 Cataraqui St. | Kingston, ON |
K7K 1Z7
CiaranBrowne@browneperry.com
Tel: (613) 326-8114 |

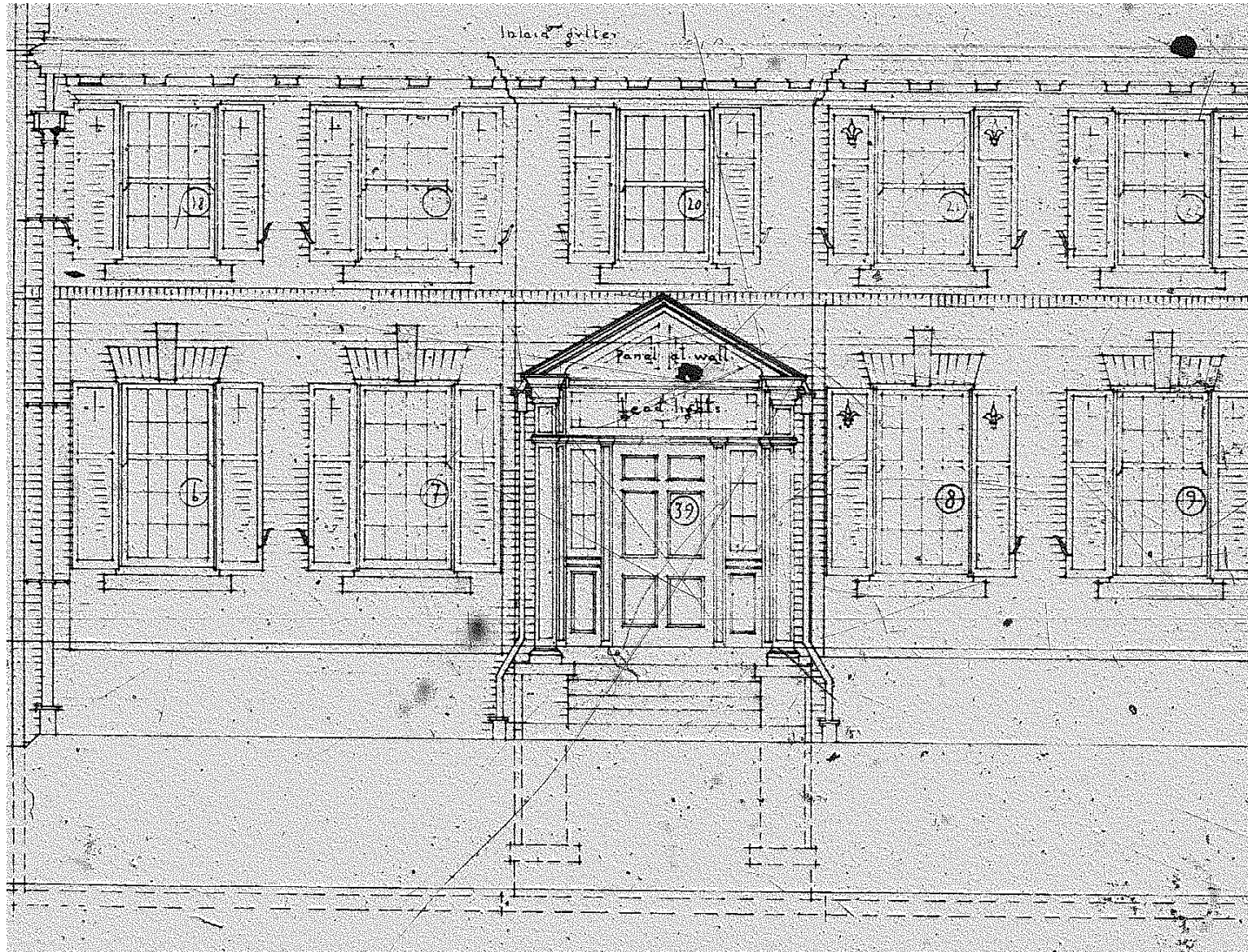


Proposed New Entrance Door Design

Browne & Perry
JOINERY CO.

9 Drumsnab Rd

Ciaran Browne, BscEng, CAHP
Browne & Perry Joinery Co.
3-14 Cataraqui St. | Kingston, ON |
K7K 1Z7
CiaranBrowne@browneperry.com
Tel: (613) 326-8114 |



Original Architectural Drawing (1925)

Browne & Perry
JOINERY CO.

9 Drumsnab Rd

Ciaran Browne, BscEng, CAHP
Browne & Perry Joinery Co.
3-14 Cataraqui St. | Kingston, ON |
K7K 1Z7
CiaranBrowne@browneperry.com
Tel: (613) 326-8114 |