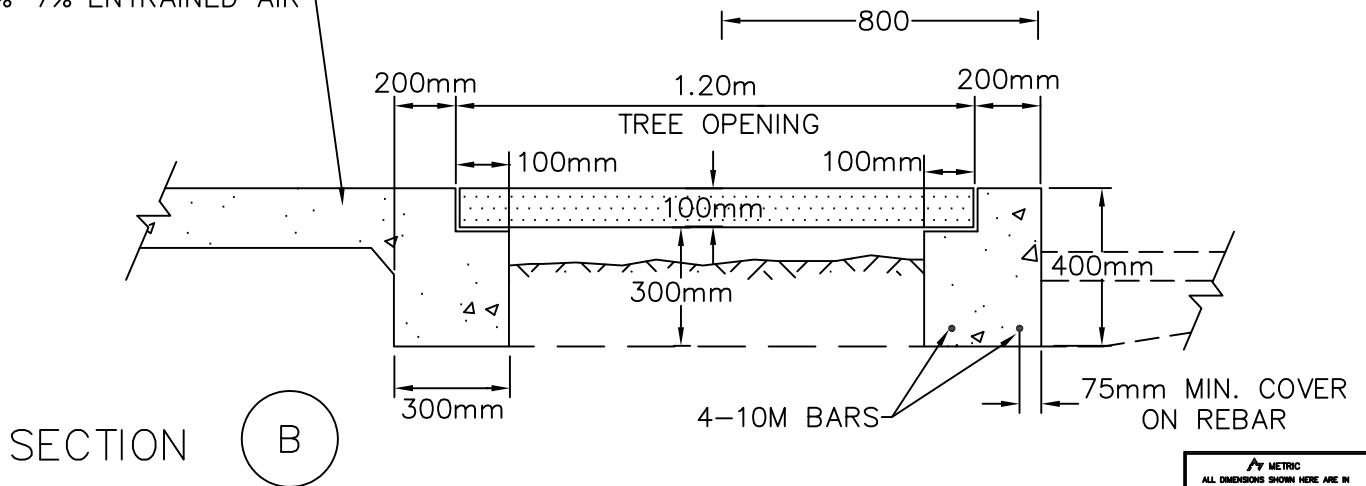


30MPa CONCRETE WITH 5%-7% ENTRAINED AIR



METRIC  
ALL DIMENSIONS SHOWN HERE ARE IN MILLIMETRES UNLESS OTHERWISE NOTED

APPROVED BY

SCALE

N.T.S.



DETAIL OF  
TREE OPENING  
(WITH CONVENTIONAL CONCRETE WALK)

DATE: MARCH, 2002

REVISED:

STANDARD No.

T-310.050-3T3