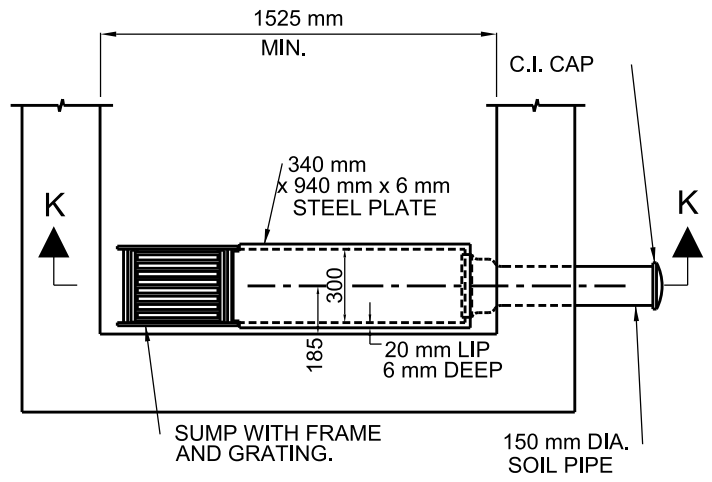
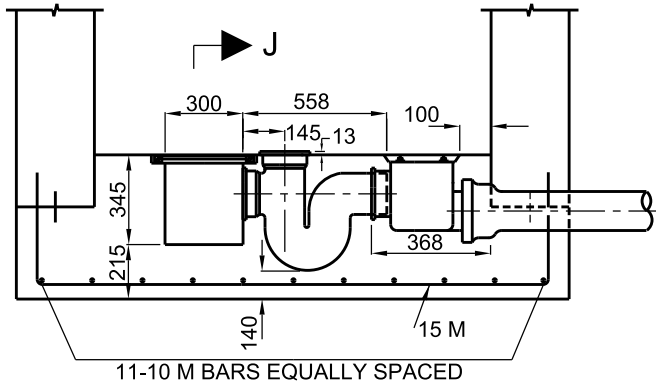


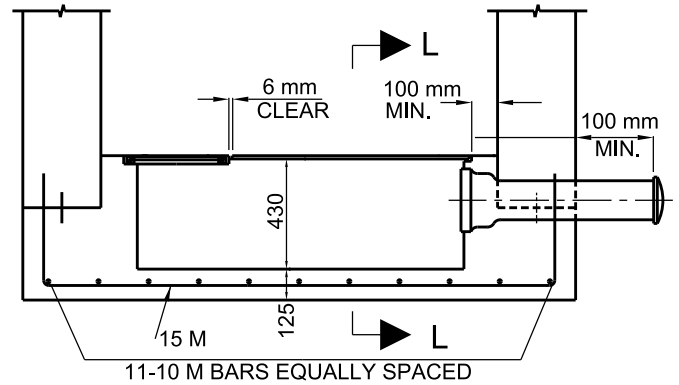
PLAN



PLAN



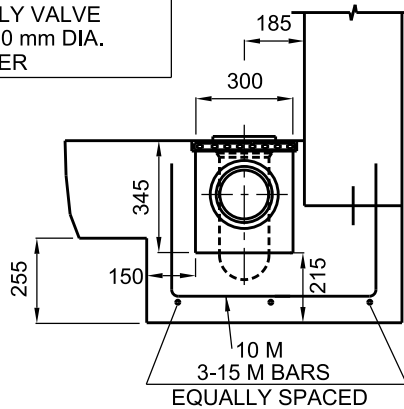
SECTION J



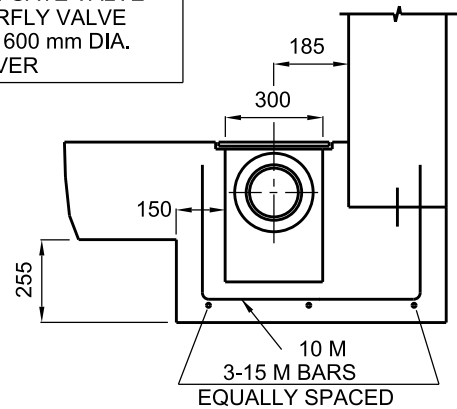
SECTION L

TO BE USED IN GATE VALVE AND BUTTERFLY VALVE CHAMBERS 600 mm DIA. AND OVER

TO BE USED IN GATE VALVE AND BUTTERFLY VALVE CHAMBERS 600 mm DIA. AND OVER



SECTION I



SECTION K

150 mm DRAIN - TYPE 'A'

150 mm DRAIN - TYPE 'B'

All dimensions are in millimetres unless otherwise shown.



ENGINEERING AND CONSTRUCTION SERVICES STANDARD DRAWING

REV 1

APR 2013

SUMP AND DRAIN DETAILS
FOR 600 mm DIA AND OVER GATE VALVE
AND BUTTERFLY VALVE CHAMBERS

T-1102.01-2

NTS

SHEET 1