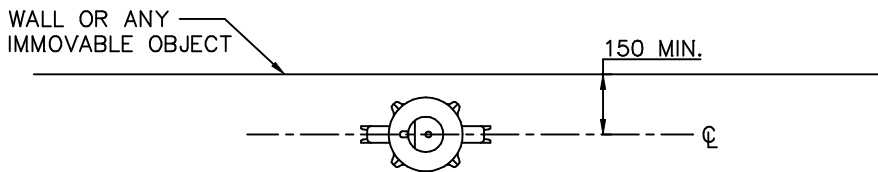
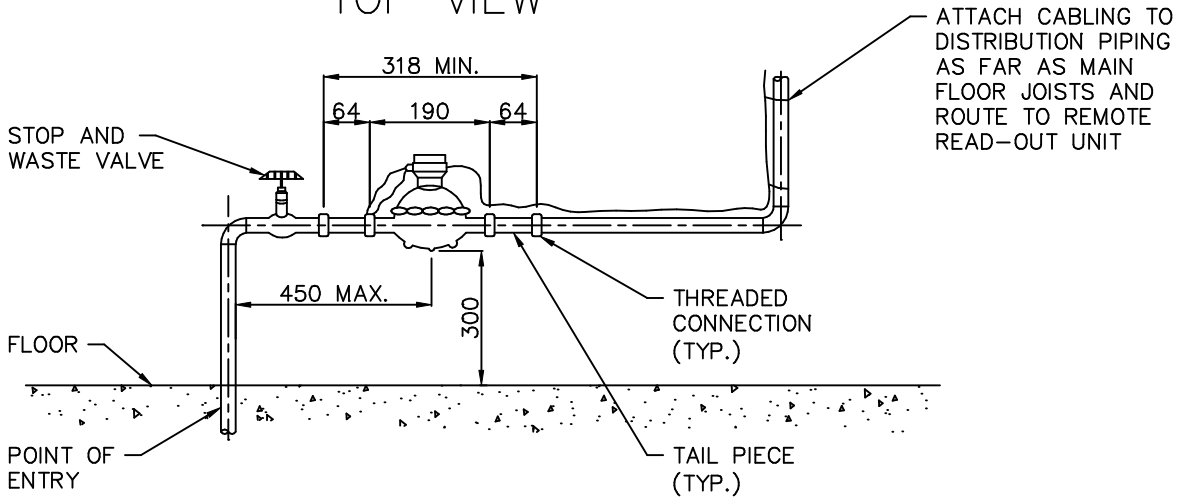


NOTES:

1. THE WATER METER REMOTE READ-OUT MAY BE INSTALLED ON EITHER SIDE OF HYDRO METER.



TOP VIEW



NOTES:

1. WATER SERVICE PIPE FROM THE OUTLET SIDE OF THE METER TO THE CEILING MUST BE FASTENED TO THE WALLS AT 600mm INTERVALS.
2. REMOTE READ-OUT DEVICE, TAIL PIECES AND A 20m LENGTH OF CABLE ARE SUPPLIED WITH EACH METER.

METRIC
ALL DIMENSIONS SHOWN HERE ARE IN MILLIMETRES UNLESS OTHERWISE NOTED

APPROVED BY
Tom Denes
TOM DENES, P. ENG.
EXECUTIVE DIRECTOR TECHNICAL SERVICES

SCALE
N.T.S.

DATE: JUNE, 2001

REVISED:

STANDARD No.

T-1107.04-2



INSTALLATION DETAILS FOR A
RESIDENTIAL WATER METER