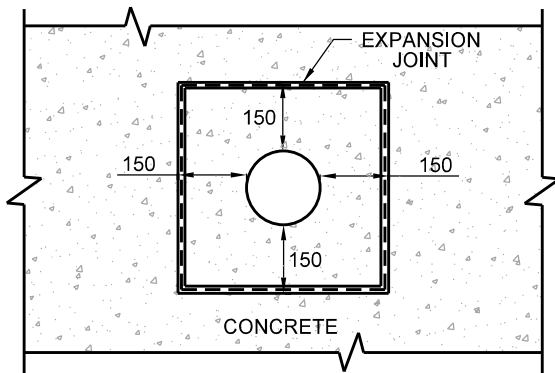
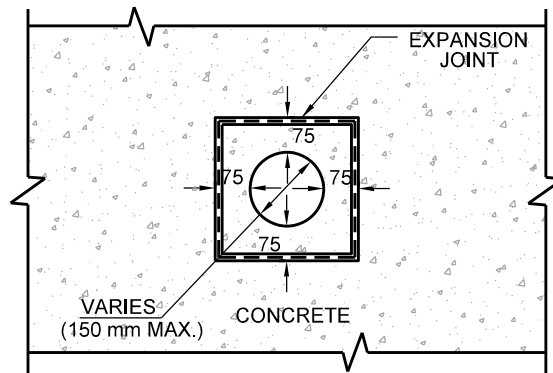


ISOLATION OF CATCH BASIN CHAMBERS, MAINTENANCE HOLES AND CHAMBERS WITHIN THE SIDEWALK AND CURB



POLE OR HYDRANT



ISOLATION OF OIL INTAKE

All dimensions are in millimetres unless otherwise shown.