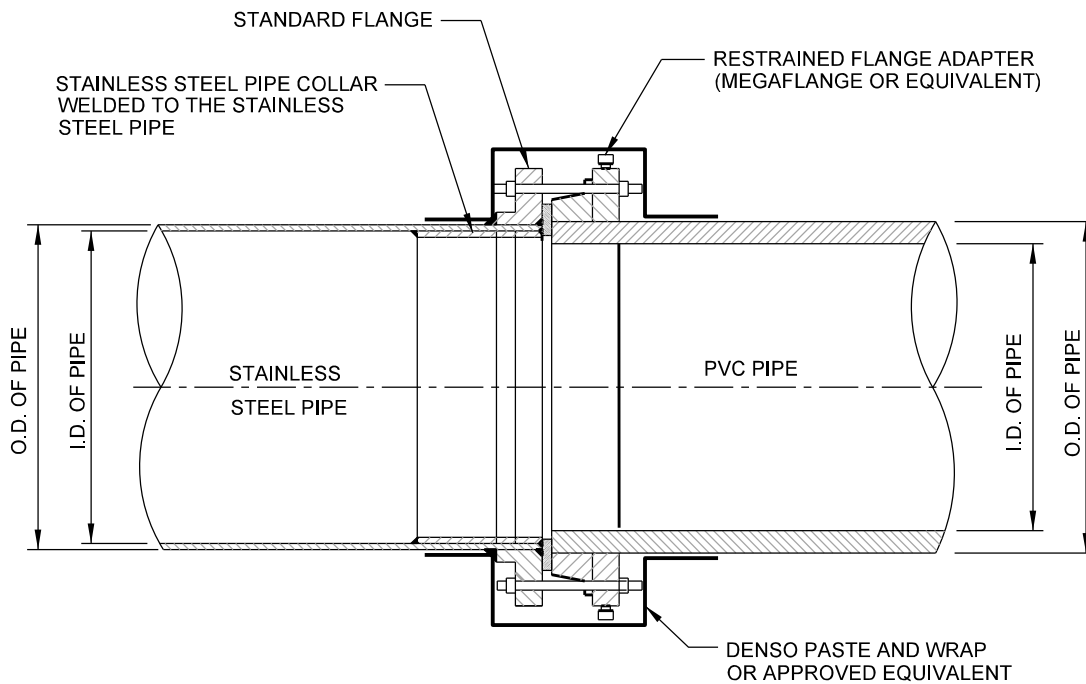


**A - UNRESTRAINED - LOW RISK**



**B - RESTRAINED**

NOTE:

1. THIS DRAWING IS APPLICABLE TO LARGE DIAMETER WATERMAINS SIZES 750 TO 2300 mm DIA.

All dimensions are in millimetres unless otherwise shown.



ENGINEERING & CONSTRUCTION SERVICES STANDARD DRAWING

REV 0

APR 2017

**STAINLESS STEEL PIPE CONNECTION  
TO PVC**

**T-1110.03-14**

NTS

SHEET 1