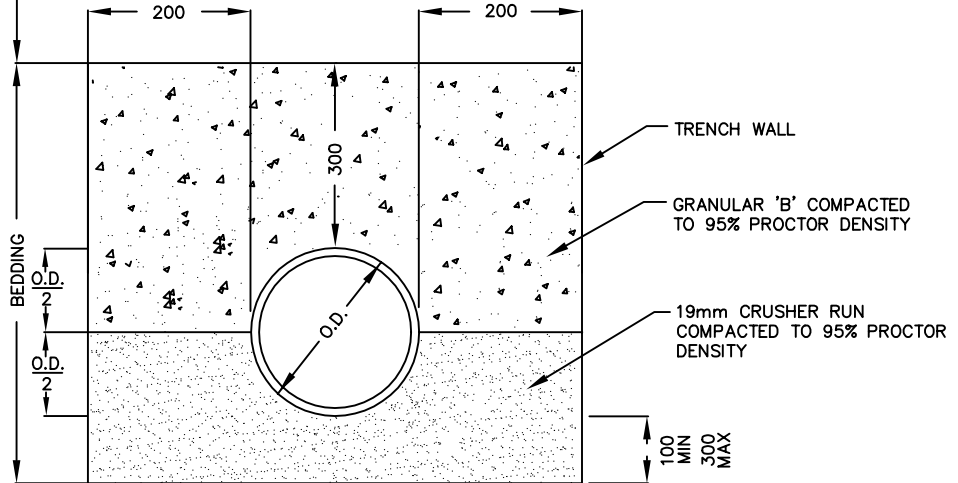


BACKFILL AS PER TENDER



METRIC
ALL DIMENSIONS SHOWN HERE ARE IN MILLIMETRES UNLESS OTHERWISE NOTED



WORKS & EMERGENCY SERVICES

TECHNICAL SERVICES DIVISION
Engineering Services - Works Facilities & Structures

BEDDING FOR PLASTIC WATER PIPES

SCALE: N.T.S.
DATE: JANUARY, 2004
DRAFTING: V. DIDIANO

DRAWING NUMBER:
T-708.04
SHEET: 1