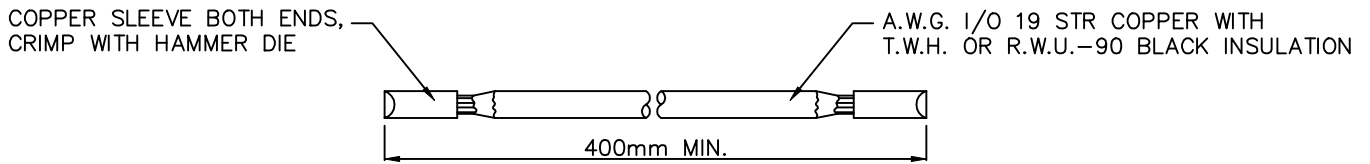
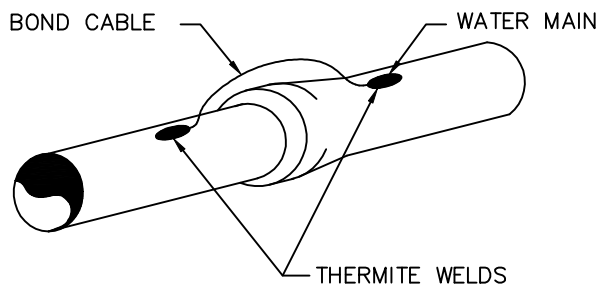


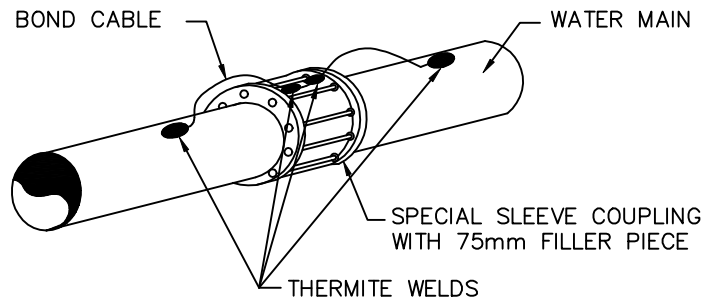
VALVE BONDING



BOND CABLE



PIPE JOINT BONDING



SLEEVE COUPLING BONDING

METRIC
ALL DIMENSIONS SHOWN HERE ARE IN MILLIMETRES UNLESS OTHERWISE NOTED

APPROVED BY

 TOM DENES, P. ENG.
 EXECUTIVE DIRECTOR TECHNICAL SERVICES

SCALE
 N.T.S.

DATE: JUNE, 2001

REVISED:

STANDARD No.

T-1106.03



ELECTRICAL BONDING OF METALLIC WATER MAINS