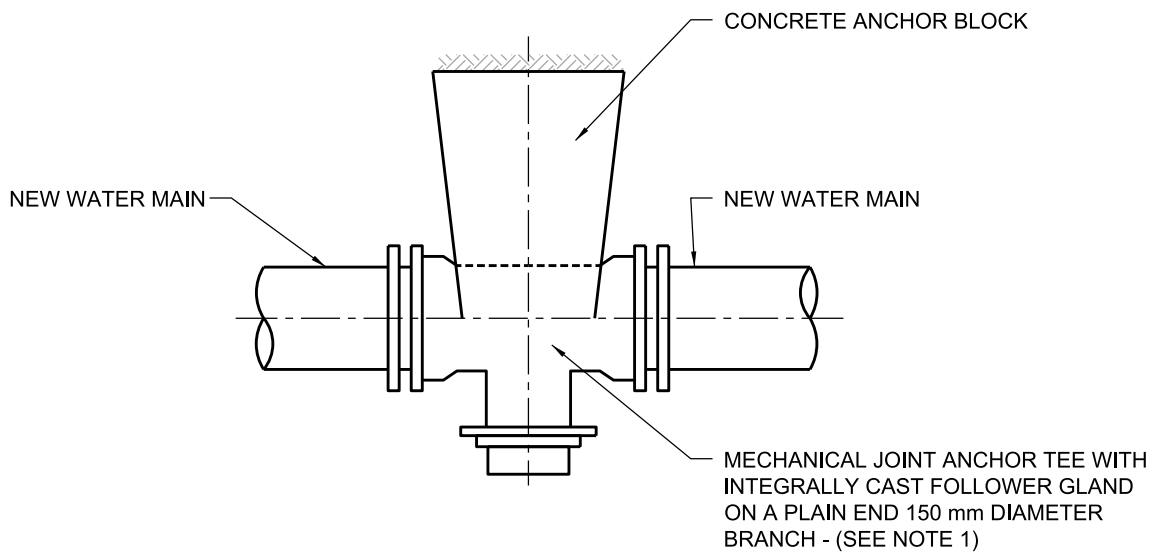


**PLAN VIEW
CONNECTIONS TO EXISTING MAINS**




**PLAN VIEW
CONNECTIONS TO NEW MAINS**

NOTES:

1. STEEL TIE RODS TO BE USED IF A BRANCH VALVE IS CONNECTED TO THE MECHANICAL JOINT BRANCH. RODS TO BE PROTECTED WITH BRUSH APPLIED MASTIC COATING.

All dimensions are in millimetres unless otherwise shown.

	ENGINEERING AND CONSTRUCTION SERVICES STANDARD DRAWING	REV 1	APR 2013
	150 mm DIAMETER BRANCH CONNECTION	T-1107.04-4	
		NTS	SHEET 1