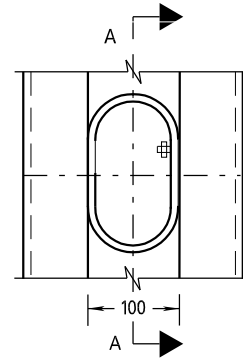
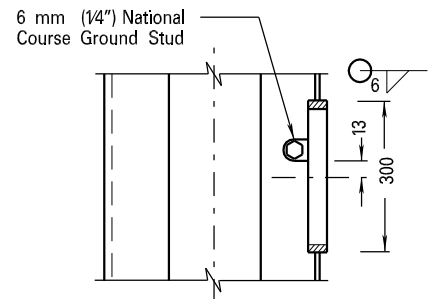


| FABRICATION DATA (Typical) | | | |
|----------------------------|----------------|----------------|----------------|
| Pole Length | Bottom O.D. | Plate | Shaft O.D. |
| <i>a</i> m | <i>b</i> mm | <i>c</i> mm | <i>d</i> mm |
| 4.7 | 140 | 16 | 100 |
| 6.1 | 170 | 16 | 100 |
| 6.1 HD | 240 | 25 | 125 |
| 7.3 | 180 | 22 | 100 |
| 7.3 HD | 240 | 25 | 125 |
| 9.0 | 240 | 25 | 100 |
| 10.5 | 240 | 25 | 100 |

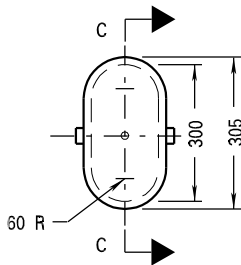
HD = HEAVY DUTY



HANDHOLE
DETAIL 'A'

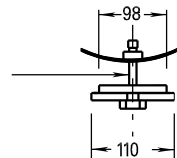


SECTION A-A



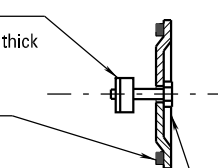
HANDHOLE COVER
DETAIL 'C'

6 mm dia x 50 mm
captive stainless steel
allen head screw

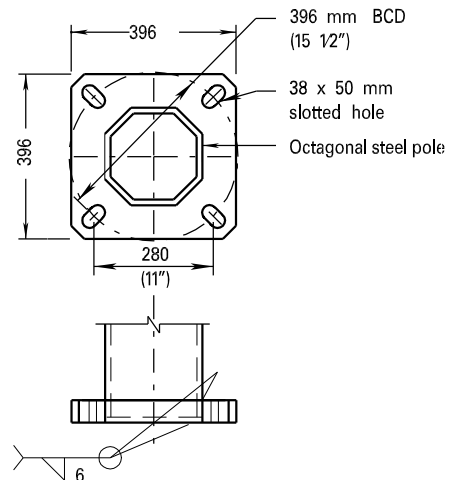


Locking Bar
25 x 150 x 6 mm thick

Rubber gasket
3 mm galvanized
steel or aluminum plate



SECTION C-C



ANCHOR BASE
DETAIL 'B'

NOTES

1. The diameter shall be measured across the flats.
2. Dimensions are in millimetres or metres, unless otherwise shown.