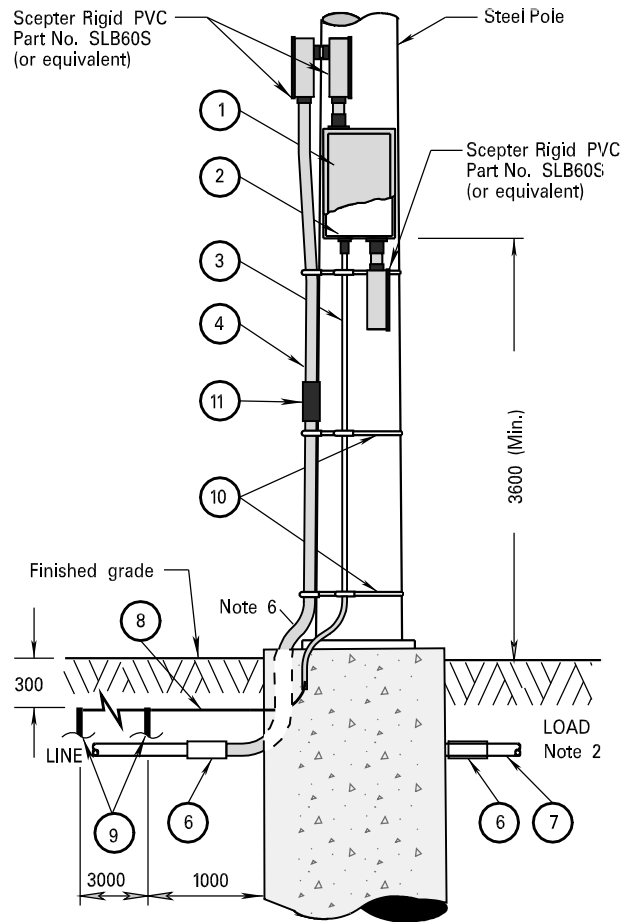


UNDERGROUND SUPPLY INSTALLATION ON A DIRECT BURIED POLE



UNDERGROUND SUPPLY INSTALLATION ON A STEEL BASE MOUNTED POLE

- ① Power supply disconnect, see TTD 806.005
- ② Terminal adapter and locknut, 20 mm dia. rigid PVC
- ③ Conduit, 20 mm dia. rigid PVC
- ④ Conduit, 38 mm dia. rigid PVC
- ⑤ 90° elbow, 50 mm dia. rigid PVC
- ⑥ Coupling, 50 mm dia. rigid PVC
- ⑦ Conduit, 50 mm dia. rigid PVC
- ⑧ Ground wire, (Note 1)
- ⑨ Ground plate or rod, (Note 1)
- ⑩ 16 mm Stainless steel strapping every 1.5 m, or Pipe straps every 1.5 m
- ⑪ 50 mm Expansion Joint

NOTES

1. Number of ground plates or rods, and size of ground wire shall be as indicated elsewhere in the contract. See TTD 806.010
2. Refer to layout drawings for the number and orientation of ducts.
3. Modify size of conduits according to layout drawings.
4. Install conduit for any supply wiring that is surface mounted on the pole.
5. For Power supply disconnect schematic wiring diagram, See TTD-806.005
6. PVC bend to be installed in close proximity to pole.

All dimensions are in millimetres or metres unless otherwise shown.