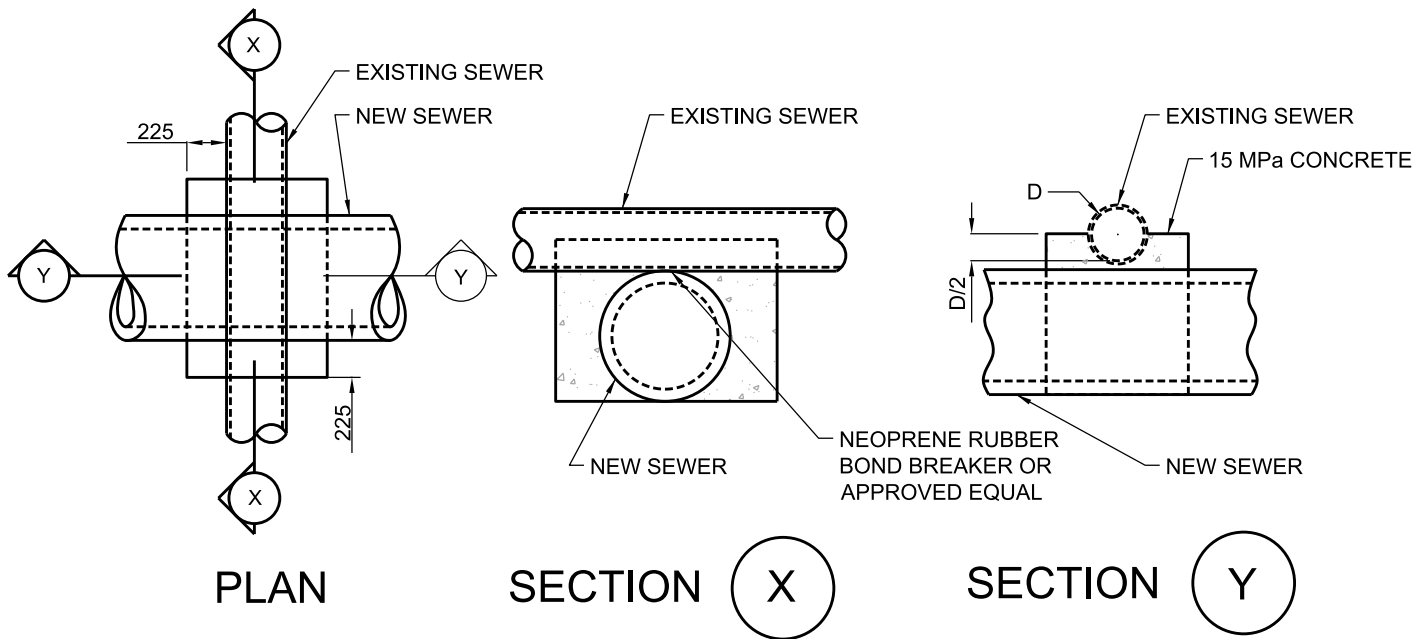


TYPE (1) NEW SEWER OVER EXISTING SEWER



TYPE (2) NEW SEWER UNDER EXISTING SEWER

All dimensions are in millimetres unless otherwise shown.



ENGINEERING AND CONSTRUCTION SERVICES STANDARD DRAWING

REV 1

APR 2013

DETAIL OF CROSSING
OF NEW SEWER OVER/UNDER
EXISTING SEWER

T-1007.01-7

NTS

SHEET 1