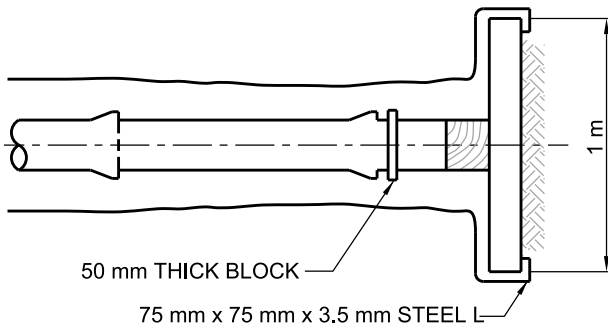
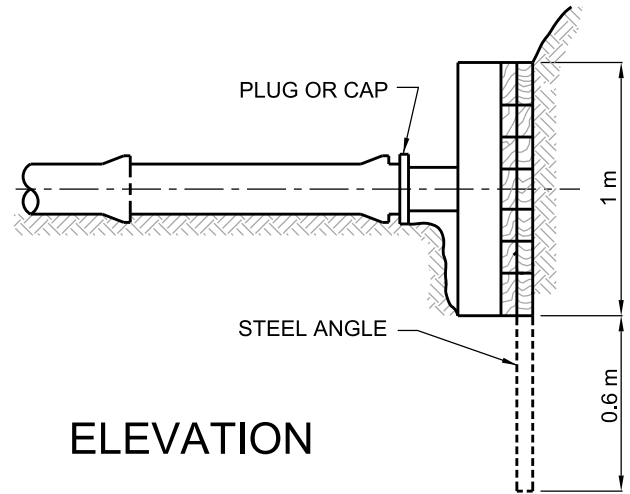


TIMBER

100 mm x 100 mm FOR 150 mm TO 250 mm PIPE.
 150 mm x 150 mm FOR 300 mm AND OVER PIPE.



PLAN

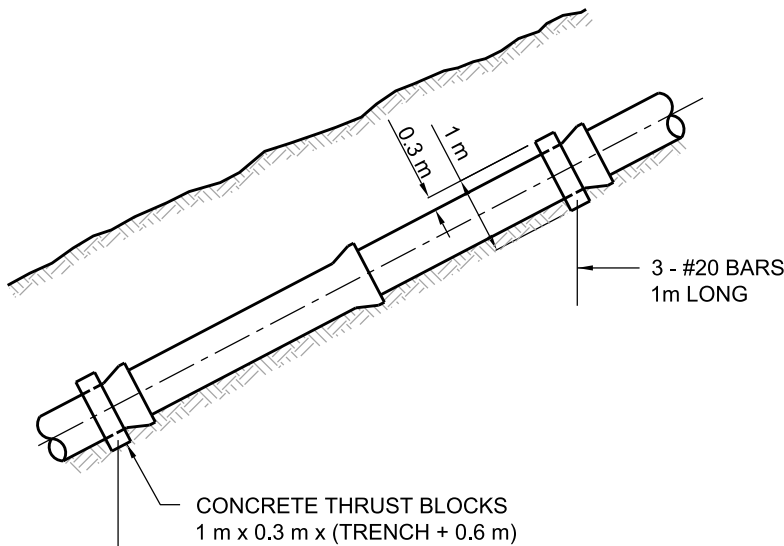


ELEVATION

NOTES:

1. ALL TIMBER TO BE PLACED AGAINST UNDISTURBED GROUND.
2. THE BLOCKING DESIGN APPLY ONLY WHERE 1030 kPa PRESSURE IS NOT EXCEEDED.
3. THRUST BLOCK FOR PERMANENT INSTALLATIONS IN FILL GROUND MUST BE DESIGNED FOR SPECIFIC FIELD CONDITIONS.

TEMPORARY THRUST BLOCK FOR DEAD-END WATERMAIN ON FILL GROUND



GRADIENT	SPACING OF ANCHOR BLOCKS
2:1	5.5 m
3:1	11 m
4:1	11 m

NOTES:

1. ALL CONCRETE TO BE 20 MPa.
2. ALL CONCRETE TO BE PLACED AGAINST UNDISTURBED GROUND.
3. THE BLOCKING DESIGN APPLIES ONLY WHERE 1030 kPa PRESSURE IS NOT EXCEEDED.

THRUST BLOCK FOR WATERMAIN ON SLOPE (4:1 OR GREATER)

All dimensions are in millimetres unless otherwise shown.



ENGINEERING AND CONSTRUCTION SERVICES STANDARD DRAWING

REV 1

APR 2013

**THRUST BLOCKS
SPECIAL APPLICATIONS**

T-1103.020-2

NTS

SHEET 1