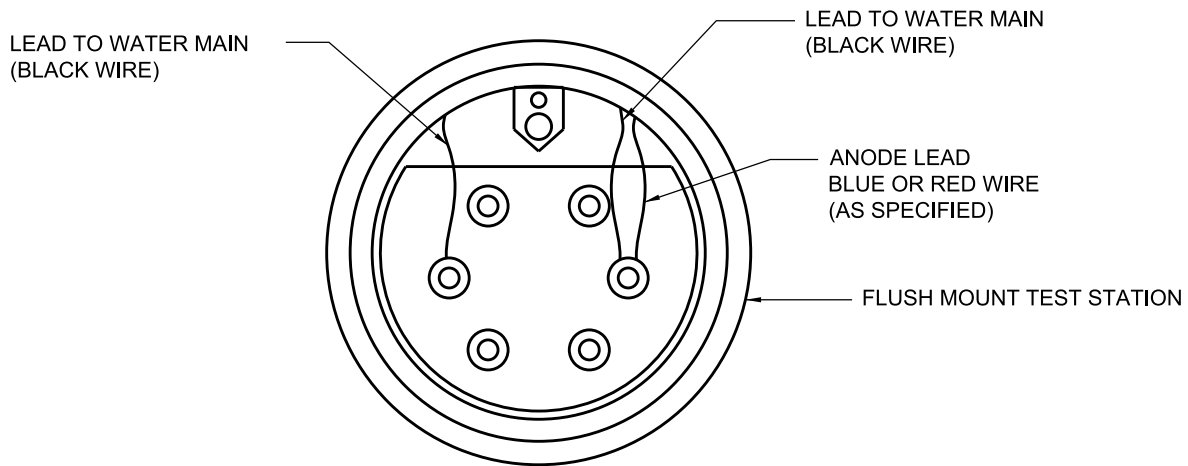


FLUSH MOUNT TEST STATION INSTALLATION



FLUSH MOUNT TEST STATION TERMINAL WIRING

All dimensions are in millimetres unless otherwise shown.



ENGINEERING AND CONSTRUCTION SERVICES STANDARD DRAWING

REV 3

APR 2013

TEST STATION FOR CATHODIC PROTECTION
OF DUCTILE IRON WATER MAINS

T-1106.07

NTS

SHEET 1