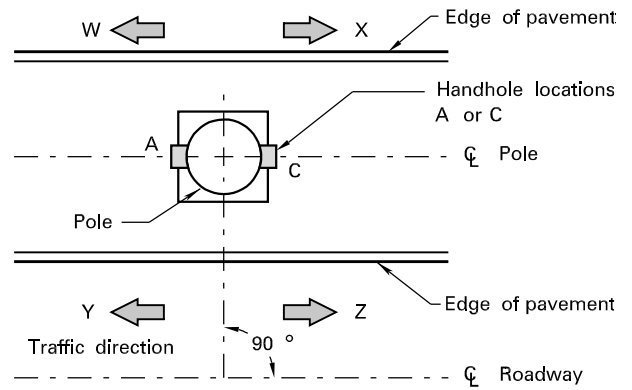
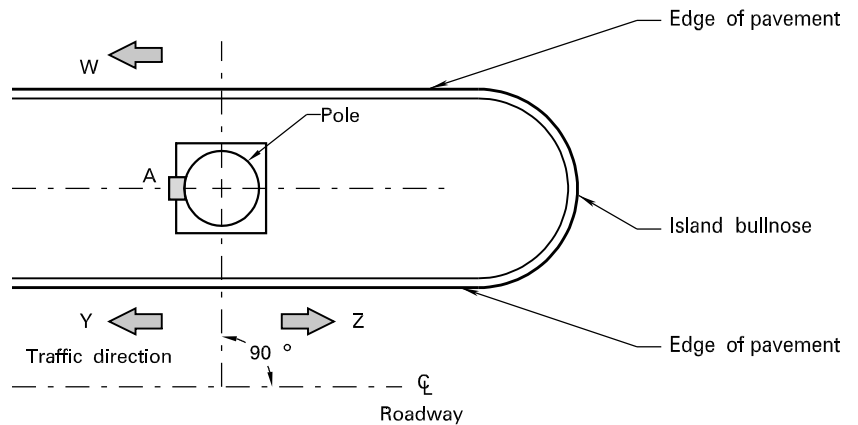


Case I
Along roadways



Case II
Continuous median



Case III
Islands and bullnoses

Type of pole	Pole use	Case	Traffic direction	Handholes location
Steel	Traffic Signals	I	Y	A (or B: Note 1)
		I	Z	C (or B: Note 1)
		II	Z or X	C
		II	W and Y	A (Note 2)
		II	X and Z	C
		III	W and Z	A
		III	W and Y	A

NOTES

1. Where other traffic signal equipment, structures or vegetation interferes with the preferred handhole location, the pole shall be rotated 90 deg. to give the alternative handhole location as indicated.
2. For multiple pole installations, handwells should be on the same side of all poles.