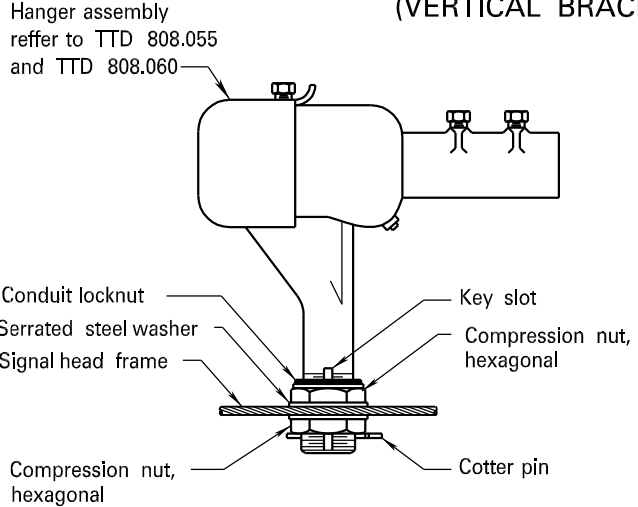
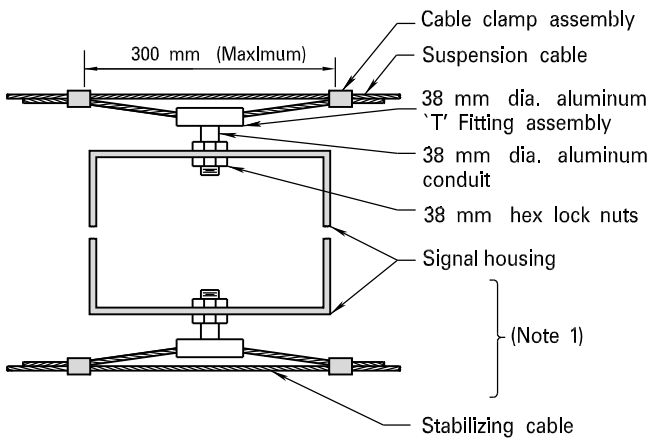


**DOUBLE ARM BRACKET DETAIL  
(VERTICAL BRACKET)**



**HANGER DETAIL**



**OPTIONAL SPAN WIRE  
CABLE MOUNTING DETAIL**

**NOTES**

1. This standard is to be used in conjunction with TTD 804.030, 804.035, 804.040 and 811.010.
  2. This method is optional to use of standard span wire cable head hangers.
- Dimensions are in millimetres or metres, unless otherwise shown.



**TRAFFIC SIGNAL HEAD MOUNTING DETAIL**

SCALE  
NOT TO SCALE

REVISION DATE  
JANUARY, 2012

*Traffic Plant Installation and Maintenance*

APPROVED BY:  
--

DRAWN BY:  
P. B.

PLAN No.  
**808.010**