

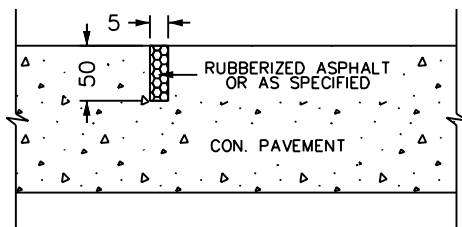
JOINT LOCATIONS

CONTRACTION JOINTS:

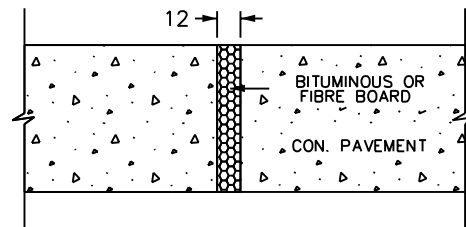
LONGITUDINAL: AT CENTRE LINE OF PAVEMENT WHERE WIDTH IS GREATER THAN 4m

TRANSVERSE: AT 3m TO 5m INTERVALS
AT CATCH BASINS AND MAINTENANCE HOLES

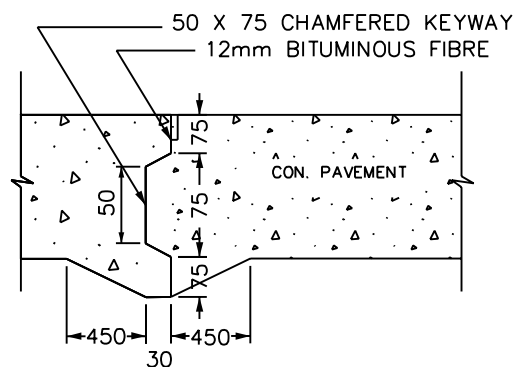
EXPANSION JOINTS: PAVEMENT NEXT TO BUILDING AND OTHER STRUCTURES
PAVEMENT NEXT TO CONCRETE APPROACHES
AT BACK OF CITY SIDEWALKS
AT INTERSECTIONS
AT ABRUPT CHANGES IN WIDTH



CONTRACTION JOINT



EXPANSION JOINT



CONSTRUCTION JOINT

METRIC
MEASUREMENTS SHOWN ON THESE PLANS
ARE IN MILLIMETERS UNLESS OTHERWISE NOTED



TECHNICAL SERVICES
Engineering Services - Works Facilities & Structures
CADD Services

SCALE:	N.T.S.	CONCRETE PAVEMENT FOR LANES	DRAWING NUMBER:
DATE:	NOVEMBER 2009		T-502.01
DRAFTING:	V. DIDIANO		GENERAL