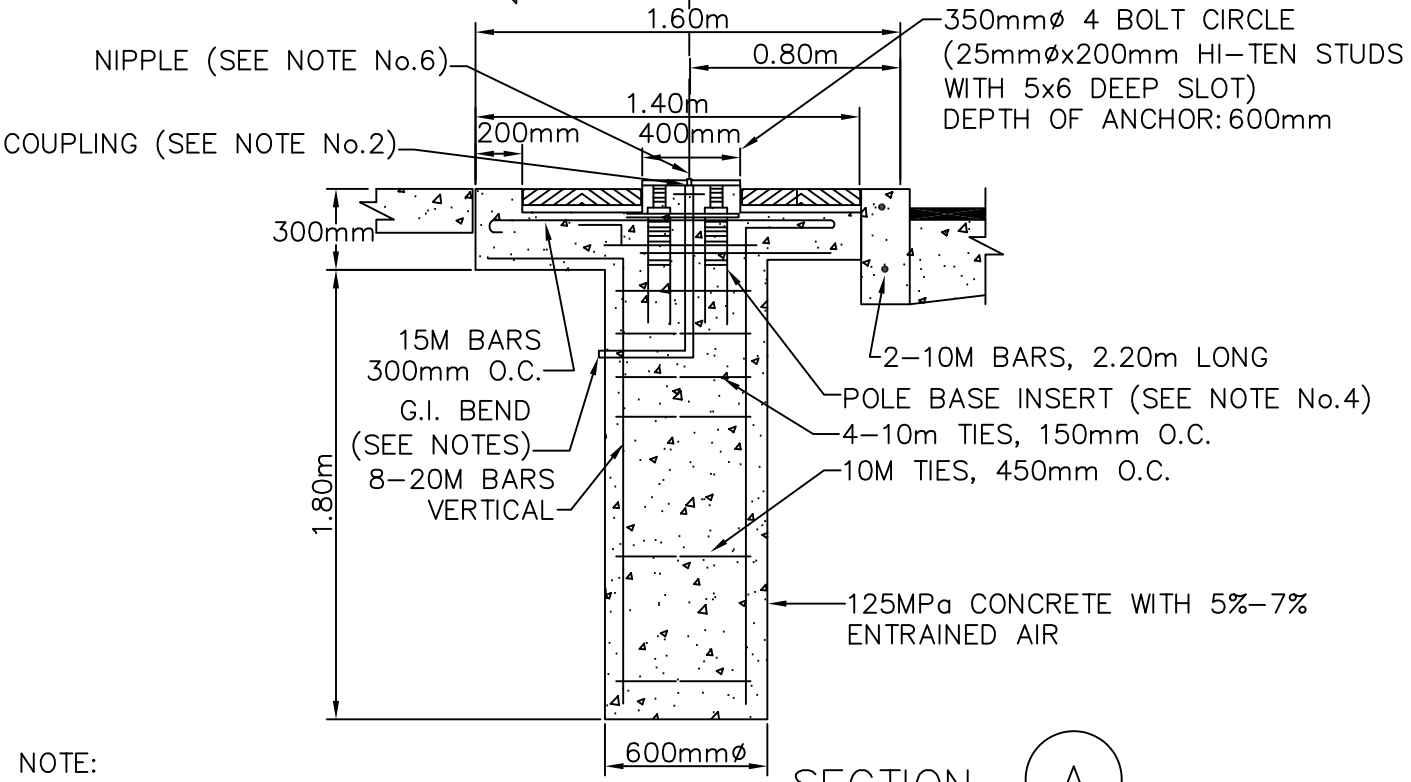


- NOTES:
1. G.I. BEND FOR SIZE & DIRECTION SEE CONST. DWG.
  2. COUPLING—ATTACH PIPE COUPLING TO G.I. BEND & SET FLUSH WITH CONC. WALK
  3. PLASTIC STUD PLUG TO REMAIN IN BOLT HOLES & COUPLING UNTIL POLE IS ERECTED.
  4. POLE BASE INSERT TO BE SET WITH AID OF TEMPLATE (SUPPLIED WITH INSERT)
  5. CONCRETE—25MPa CONCRETE WITH 5%–7% ENTRAINED AIR.
  6. NIPPLE—AFTER ERECTING POLE A 50mm NIPPLE IS TO BE INSTALLED IN COUPLING.



NOTE:  
FOR TRAFFIC LIGHT INSTALL ADDITIONAL  
Ø 50mm POLYPIPE WITH Ø 50mm (90°) RIGID  
P.V.C. ELBOW.

SECTION A

METRIC  
ALL DIMENSIONS SHOWN HERE ARE IN  
MILLIMETRES UNLESS OTHERWISE NOTED

	APPROVED BY	SCALE N.T.S.
<b>Toronto</b> Works and Emergency Services	<b>CONCRETE BASE WITH POLE BASE INSERT FOR RAILWAY TYPE STREET LIGHT POLE BASE (HEAVY DUTY) (WITH DRY LAID PAVER INSTALLATION)</b>	
	DATE: MARCH, 2002	
	REVISED: STANDARD No. T-310.050-8T1 1 OF 2	