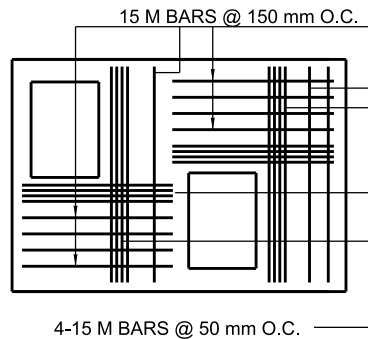
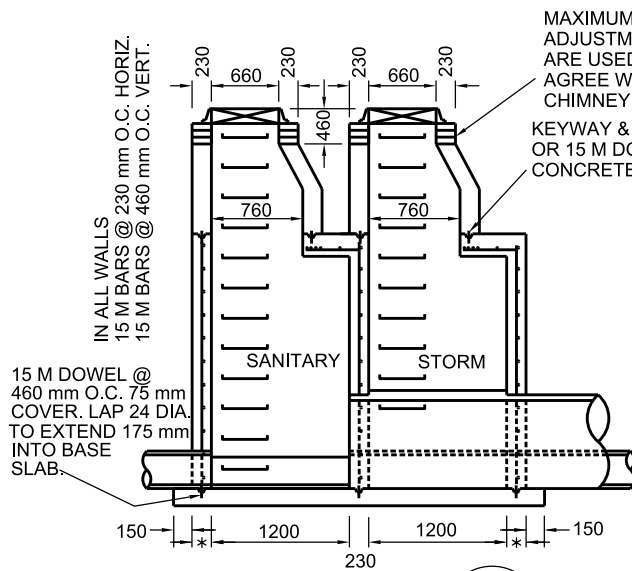


PLAN

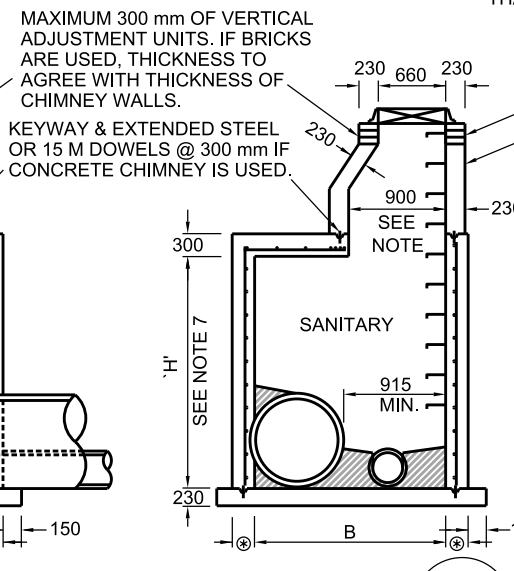


SLAB REINFORCING SCHEDULE

| STORM SIZE | A DIMENSION SANITARY SIZE | | | | B DIMENSION |
|------------|------------------------------|------|------|------|-------------|
| | 250 | 300 | 375 | 450 | |
| 750 | 780 | 825 | 870 | 915 | 1675 |
| 825 | 825 | 870 | 915 | 960 | 1750 |
| 900 | 870 | 915 | 960 | 1000 | 1830 |
| 975 | 915 | 960 | 1000 | 1045 | 1905 |
| 1050 | 960 | 1000 | 1045 | 1090 | 1980 |
| 1200 | 1045 | 1090 | 1135 | 1180 | 2135 |
| 1350 | 1135 | 1180 | 1225 | 1270 | 2285 |
| 1500 | 1225 | 1270 | 1315 | 1360 | 2440 |
| 1650 | 1315 | 1360 | 1400 | 1445 | 2590 |
| 1800 | 1400 | 1445 | 1490 | 1535 | 2745 |
| 1950 | 1490 | 1535 | 1580 | 1625 | 2895 |
| 2100 | 1580 | 1625 | 1670 | 1715 | 3050 |

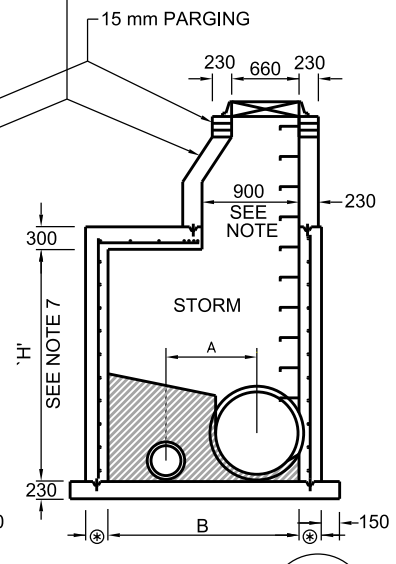


SECTION A



SECTION B

CHIMNEY WALLS TO BE 230 mm THICK THROUGHOUT CHAMBER WHERE TOTAL DEPTH IS LESS THAN 4.6 m & 300 mm WHERE TOTAL DEPTH IS GREATER THAN 4.6 m



SECTION C

NOTES:

- CONCRETE TO BE 32 MPa AT 28 DAYS CAST IN PLACE.
- REINFORCING STEEL TO BE 350 MPa DEFORMED BARS MINIMUM COVER TO BE 50 mm LAP 24 BAR DIA.
- FIRST STEP TO BE 75 TO 300 mm BELOW FRAME. LAST STEP TO BE 300 mm ABOVE BENCHING OR 600mm ABOVE INVERT IF NO BENCHING.
- ALL BOXES FOR FUTURE SEWER TO HAVE 50 mm x 100 mm KEYWAY ON ALL SIDES.
- TOP OF BENCHING TO BE SLOPED TO A MAXIMUM OF 8:1
- IF DEPTH IS SUFFICIENT TO WARRANT A SAFETY PLATFORM CHIMNEY SHALL BE 1200 mm x 1200 mm.

- * 230 mm UNDER 4.6 m ⊕ PIPE BARREL THICKNESS 300 mm OVER 4.6 m + 230 mm UNDER 4.6 m + 300 mm OVER 4.6 m

| | |
|-----|---------------------------------|
| 7. | FOR USE ON STRAIGHT RUNS ONLY |
| H = | 1.2 m FOR DEPTHS 2.0 m to 2.3 m |
| | 1.5 m FOR DEPTHS 2.3 m to 2.8 m |
| | 1.8 m FOR DEPTHS 2.8 m to 3.2 m |
| | 2.1 m FOR DEPTHS 3.2 m and over |
| | STACK 760 mm X 760 mm |
| | STACK 760 mm X 900 mm |

- PARGING SHALL BE 1:3 MORTAR MIX.
- WATERPROOFING OVER PARGING TO BE TWO HEAVY COATS OF BITUMEN.
- WHERE PIPES JOIN AT MAINTENANCE HOLE, JOINTS ARE TO BE WATERTIGHT WITH THE APPROVED SEAL.

All dimensions are in millimetres unless otherwise shown.



ENGINEERING AND CONSTRUCTION SERVICES STANDARD DRAWING

TYPICAL DUAL MAINTENANCE HOLE
WITH INVERTS LEVEL
MINIMUM STORM SIZE 750 mm DIAMETER

REV 1 APR 2013

T-701.013-1

NTS SHEET 1