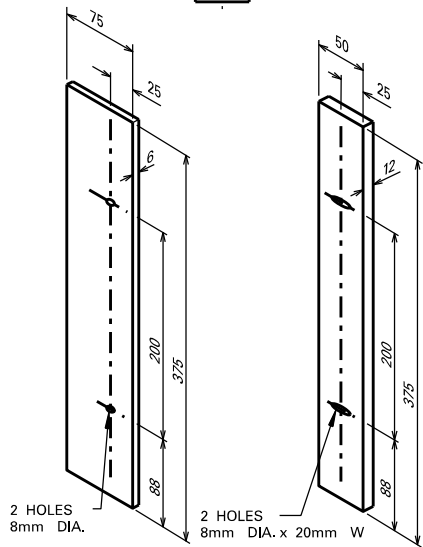
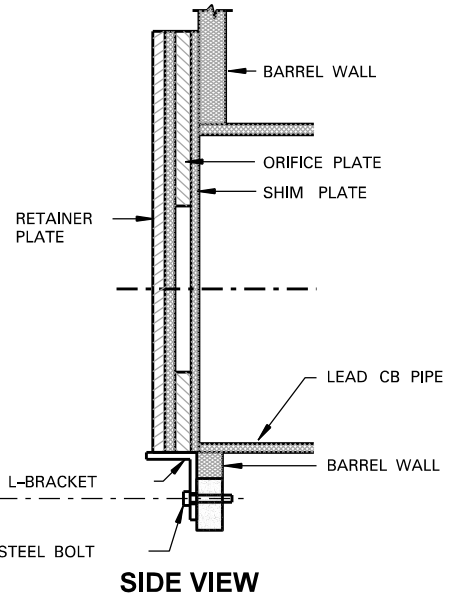
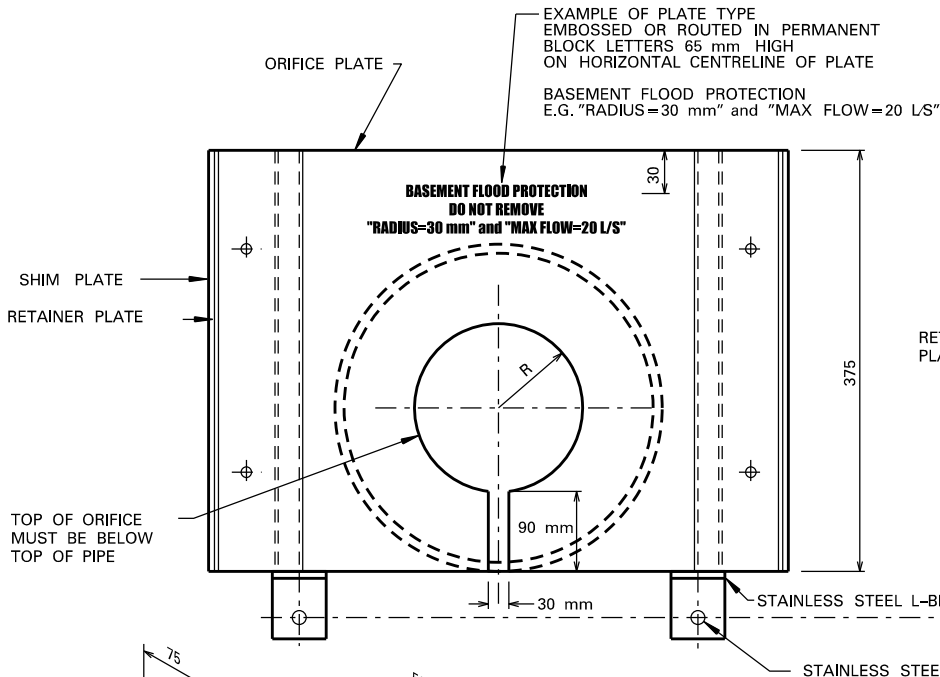
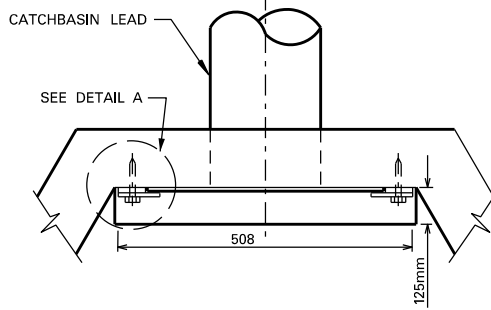


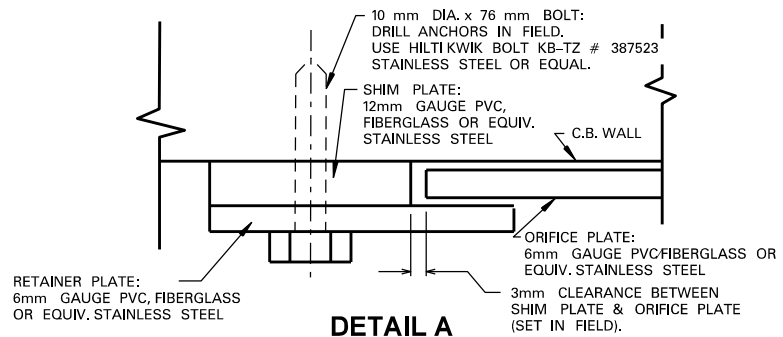
FLAT PLATE DESIGN

(FOR USE IN PRECAST MONOLITHIC CATCHBASIN BASES)



RETAINER PLATE

SHIM PLATE



H = DEPTH FROM THE CENTRELINE OF THE ORIFICE TO THE TOP OF THE CATCHBASIN GRATE + MAXIMUM DEPTH OF PONDING ABOVE CATCHBASIN GRATES

TYPE	RADIUS of ORIFICE	MAX FLOW (LS)
R30	30 mm	$Q=17,1 \times H^{0.5}$
R50	50 mm	$Q=30,05 \times H^{0.5}$
R70	70 mm	$Q=49,4 \times H^{0.5}$
R100	100 mm	$Q=89,8 \times H^{0.5}$

All dimensions are in millimetres unless otherwise shown.



ENGINEERING & CONSTRUCTION SERVICES STANDARD DRAWING

REV 0

NOV 2016

**CATCH BASIN INLET CONTROL ASSEMBLY
FOR PLATE TYPE CONTROL**

T-706.010

NTS

SHEET 1