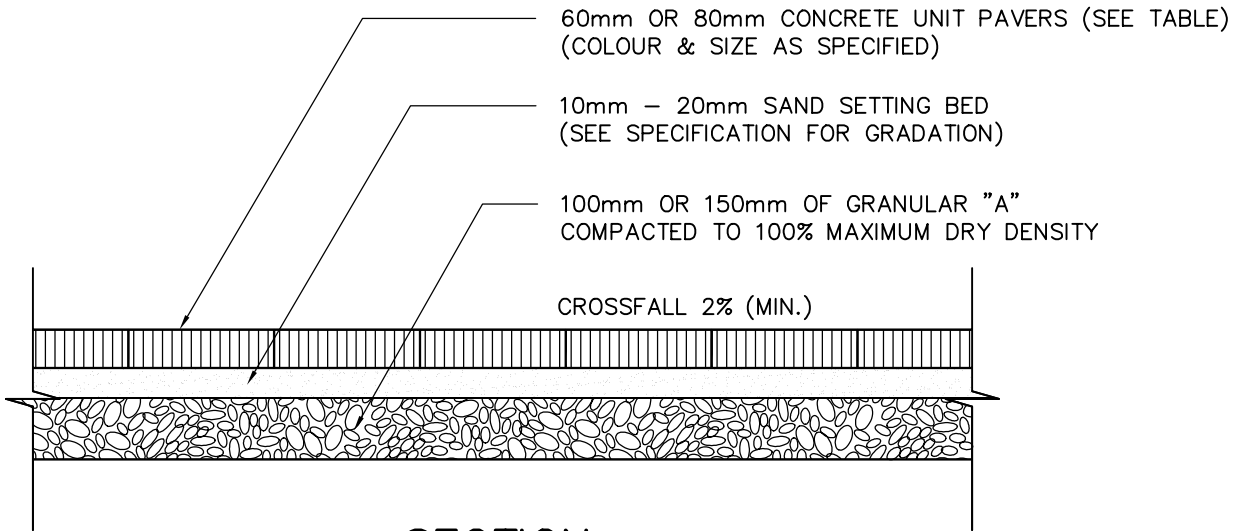


PLAN
(SUGGESTED LAYOUT PATTERN)

(SUBJECT TO VARIATION AS SPECIFIED)



SECTION

TABLE		
	STONE BASE	PAVERS
PAVEMENTS & DRIVES	150mm	80mm
WALKS, BOULEVARDS	100mm	60mm

} OR AS SPECIFIED

METRIC
 ALL DIMENSIONS SHOWN HERE ARE IN MILLIMETRES UNLESS OTHERWISE NOTED



WORKS & EMERGENCY SERVICES

TECHNICAL SERVICES DIVISION
Engineering Services - Works Facilities & Structures

SCALE:	N.T.S.	DETAIL OF PAVING WITH CONCRETE UNIT PAVERS	DRAWING NUMBER:
DATE:	DECEMBER, 2003		T-561.030-3
DRAFTING:	V. DIDIANO		SHEET: 1