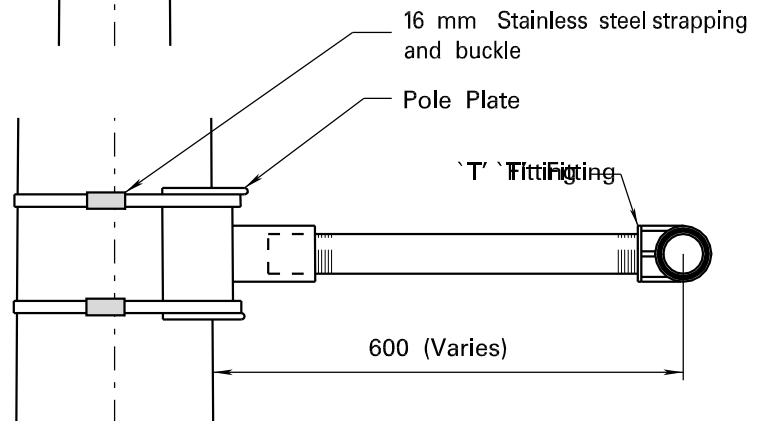


MOUNTING BRACKET DETAIL



ARM BRACKET DETAIL

**NOTES**

1. On concrete poles, mount conduits using 16 mm stainless steel strapping and buckles. On wood poles mount conduits using galvanized pipe straps with 6 mm  $\phi$  x 38 mm lag bolts.
2. For flashing beacon and traffic sign mounting height, refer to layout drawings.
3. For duct sizes, refer to layout drawings.
4. For orientation and location of pole, sign and flasher refer to layout drawings.
5. All dimensions are in millimetres unless otherwise shown.