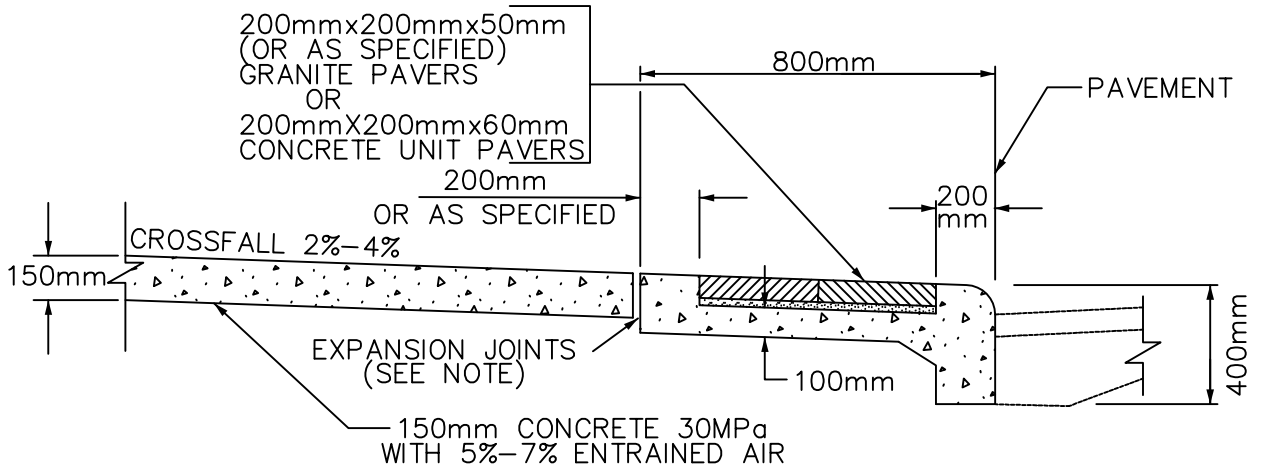


PLAN



SECTION

NOTE:

- 1 WHEN SIDEWALK WIDTH IS LESS THAN 2.0m REPLACE EXPANSION JOINT WITH TOOLED JOINT AND POUR CURB, BASE AND WALK MONOLITHICALLY
- 2 LAYOUT PATTERN, COLOUR AND PAVERS SIZE AS SPECIFIED

METRIC
ALL DIMENSIONS SHOWN HERE ARE IN MILLIMETRES UNLESS OTHERWISE NOTED

APPROVED BY

SCALE

N.T.S.



DETAIL OF SIDEWALK PAVED
WITH TWO ROWS OF
GRANITE OR CONCRETE UNIT PAVERS

DATE: MARCH, 2002

REVISED:

STANDARD No.

T-310.020-2T1