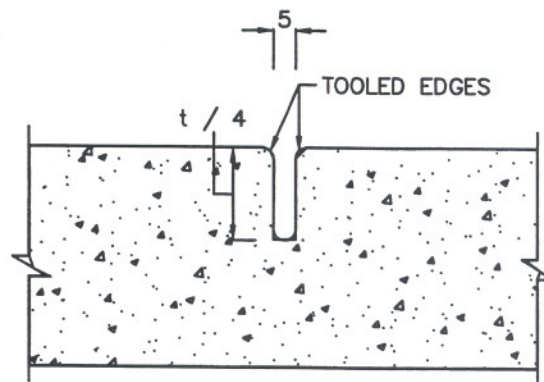
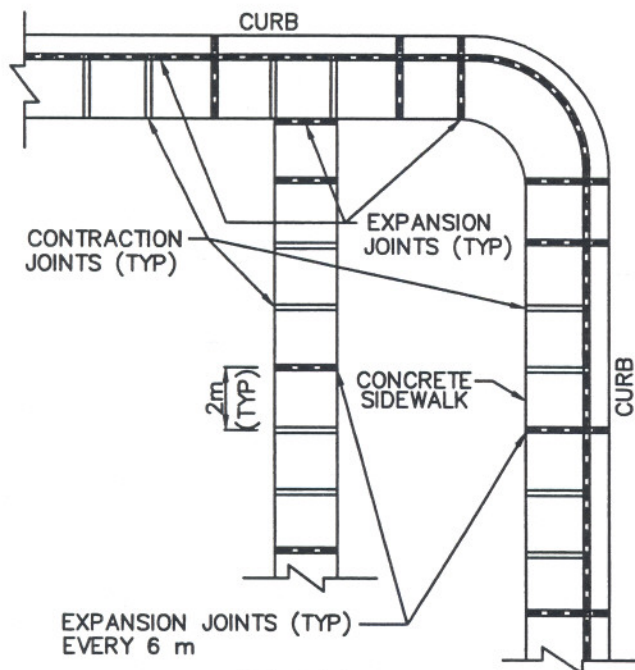


PLAN

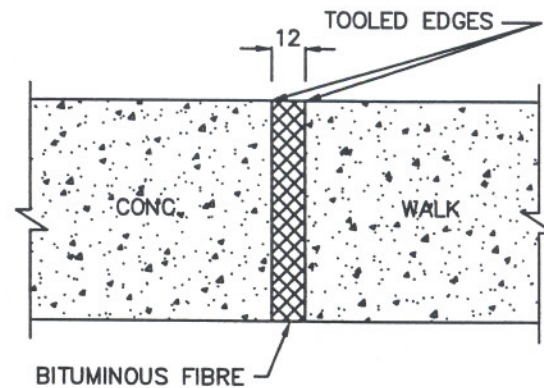


t = THICKNESS OF SIDEWALK

CONTRACTION JOINT



PLAN



EXPANSION JOINT

NOTE:
POLES AND OTHER FIXED OBJECTS SHALL
BE ISOLATED BY THE USE OF EXPANSION
JOINTS.

AS METRIC
ALL DIMENSIONS SHOWN HERE ARE IN
MILLIMETERS UNLESS OTHERWISE NOTED

APPROVED BY

Tom Denes
TOM DENES, P. ENG.
EXECUTIVE DIRECTOR TECHNICAL SERVICES

SCALE

N.T.S.

DATE: JUNE, 2001

REVISED:

STANDARD No.

T-310.010-1