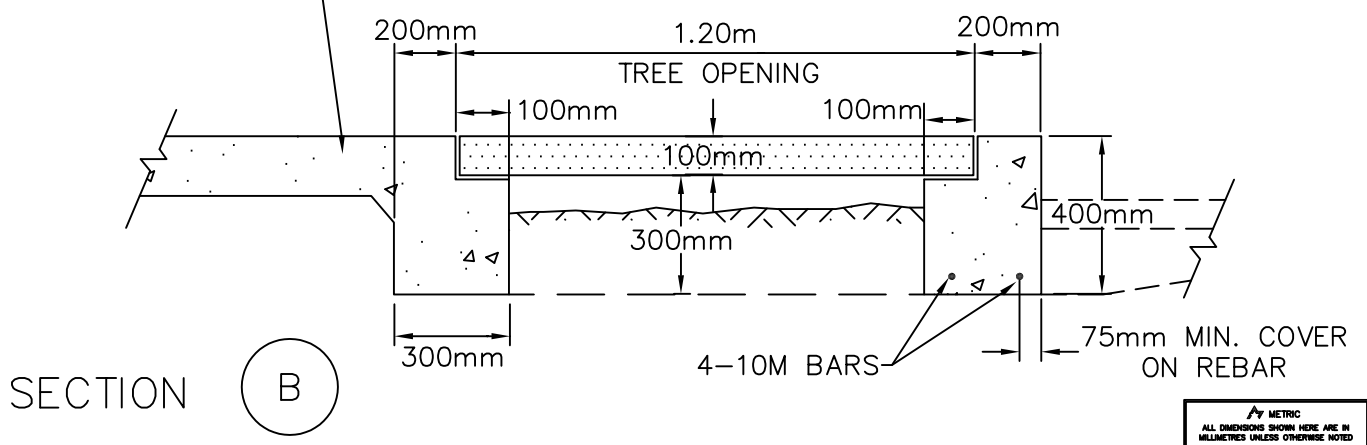


30MPa CONCRETE WITH  
5%-7% ENTRAINED AIR

SECTION A



SECTION B

METRIC  
ALL DIMENSIONS SHOWN HERE ARE IN  
MILLIMETRES UNLESS OTHERWISE NOTED

APPROVED BY	SCALE
	N.T.S.



DETAIL OF  
TREE OPENING  
(WITH CONVENTIONAL CONCRETE WALK)

DATE: MARCH, 2002
REVISED:
STANDARD No.
T-310.050-3T2