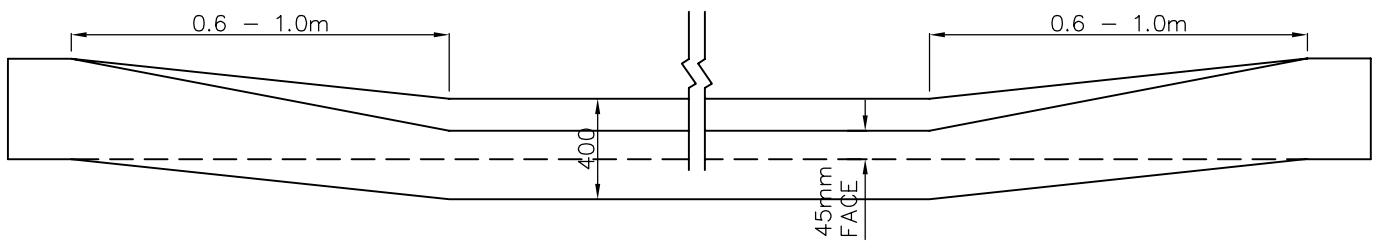
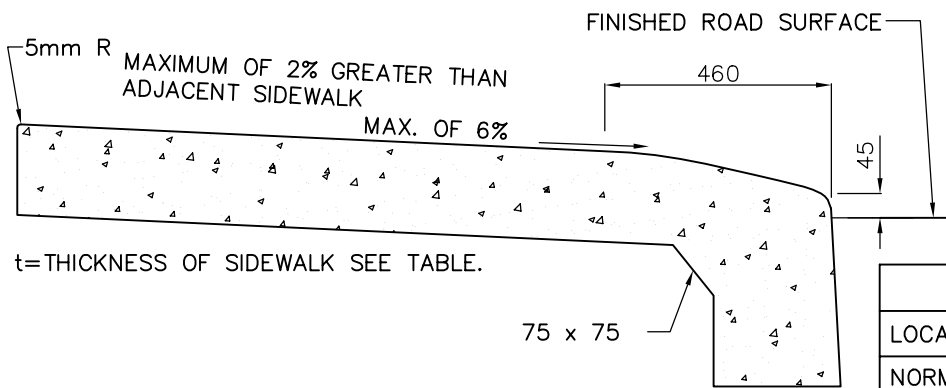


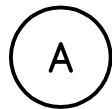
PLAN



ELEVATION



SECTION



THICKNESS TABLE	
LOCATION OR USE	THICKNESS (t)mm
NORMAL DRIVEWAY ACCESS LOTS FRONTING ON STREET	150
LOCATIONS WHERE TRUCKS MAY MOUNT CURB	150
ACROSS COMMERCIAL AND INDUSTRIAL DRIVEWAYS.	180

METRIC  
ALL DIMENSIONS SHOWN HERE ARE IN  
MILLIMETRES UNLESS OTHERWISE NOTED



WORKS & EMERGENCY SERVICES

TECHNICAL SERVICES DIVISION  
Engineering Services - Works Facilities & Structures

VEHICLE ENTRANCE IN COMBINED  
CURB AND SIDEWALK

SCALE: N.T.S.  
DATE: DECEMBER, 2003  
DRAFTING: V.DIDIANO

DRAWING NUMBER:  
T-310.050-1  
SHEET: 1