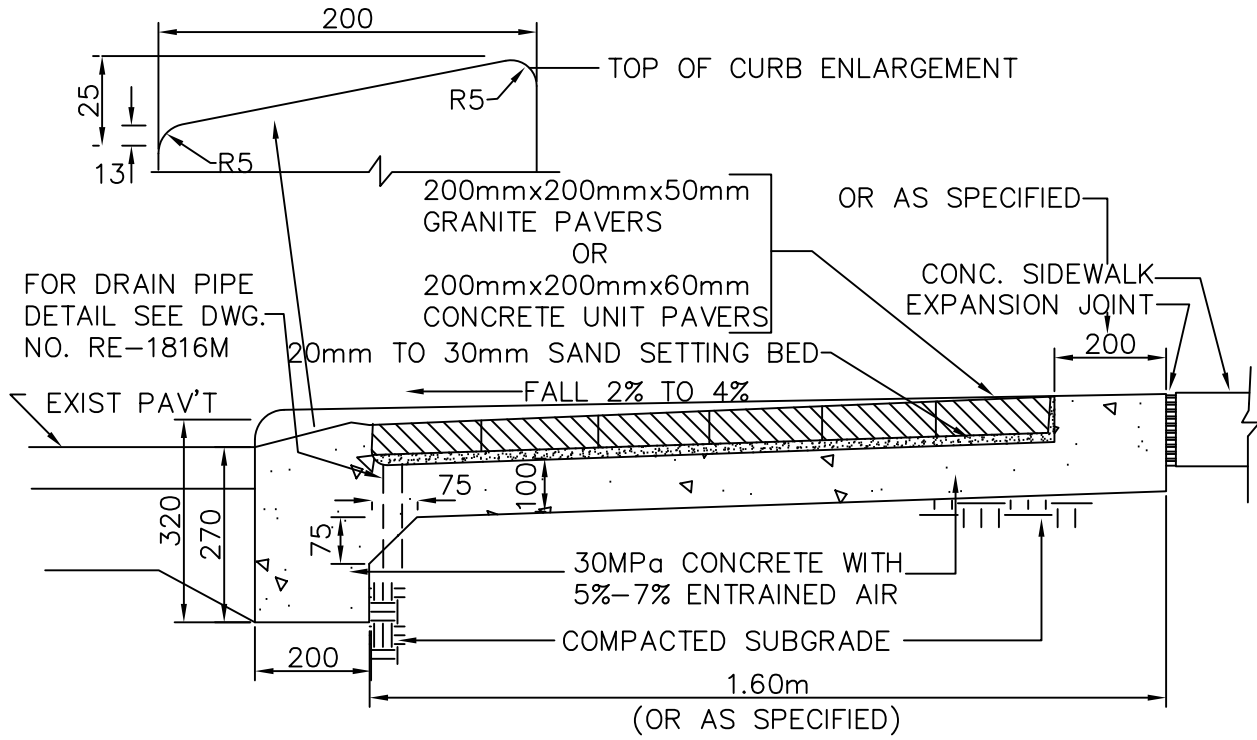


PLAN



SECTION A

NOTE: ALL DIMENSIONS ARE IN MILLIMETRES UNLESS SHOWN OTHERWISE.

METRIC  
ALL DIMENSIONS SHOWN HERE ARE IN  
MILLIMETRES UNLESS OTHERWISE NOTED

APPROVED BY

SCALE

N.T.S.



PEDESTRAIN SIDEWALK RAMP  
WITH DRY LAID PAVER INSTALLATION

DATE: MARCH, 2002

REVISED:

STANDARD No.

T-310.050-2T1