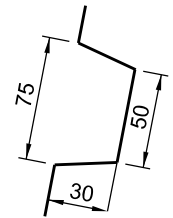
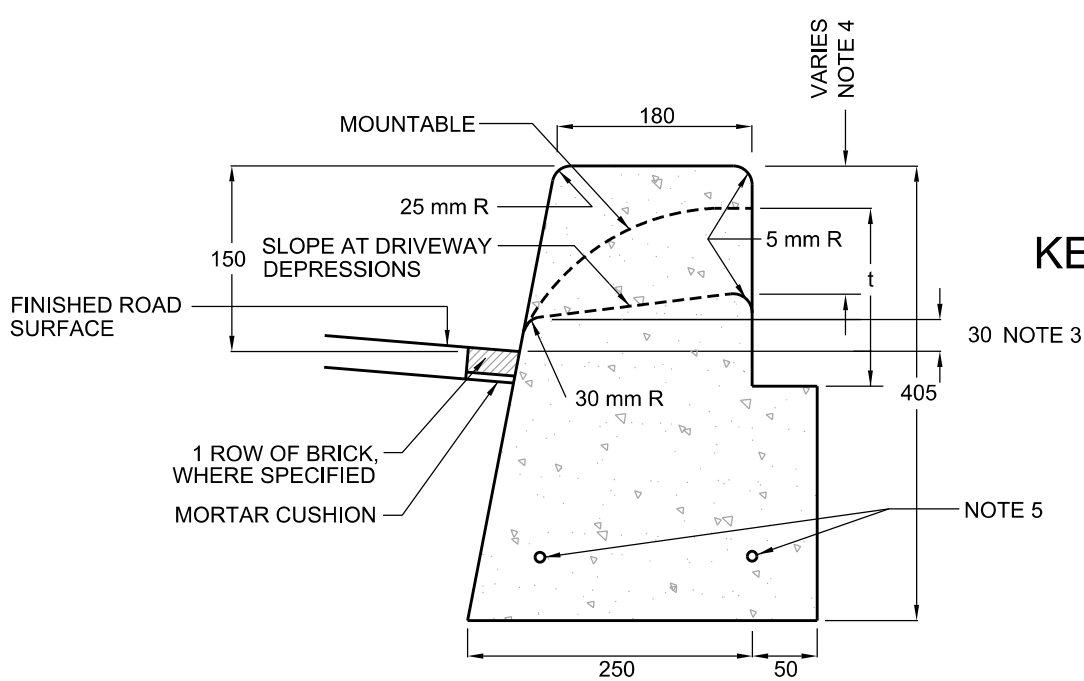


FOR USE WITH RIGID PAVEMENT



KEYWAY DETAIL

FOR USE WITH FLEXIBLE PAVEMENT

NOTES:

1. EXPANSION JOINTS SHALL BE SPACED 6 m APART OR COINCIDE WITH JOINTS IN ADJACENT SIDEWALK AND CONCRETE ROAD BASE.
2. t = 130 mm, 150 mm, OR 180 mm TO SUIT CONCRETE SIDEWALK, CONCRETE BOULEVARD OR CONCRETE DRIVEWAY MEASURED FROM TOP OF CURB DEPRESSION.
3. 10 mm FOR SIDEWALK RAMPS AND DISABILITY ACCESSSES.
4. ENTRANCE TERMINATION ACCORDING TO DRAWING T-350.01. DROP CURB AT ENTRANCE, TYP 70-100 mm, DEPENDS ON SITE CONDITIONS AS SPECIFIED.
5. 2 - 15 M REINFORCING BARS FOR INDUSTRIAL AND COMMERCIAL DRIVEWAYS, 50 mm CONCRETE COVER, TO BE EXTENDED 600 mm BEYOND WIDTH OF DRIVEWAY ON EACH END.

All dimensions are in millimetres unless otherwise shown.



ENGINEERING & CONSTRUCTION SERVICES STANDARD DRAWING

REV 2

NOV 2014

CONCRETE CURB

T-600.11-1

NTS

SHEET 1