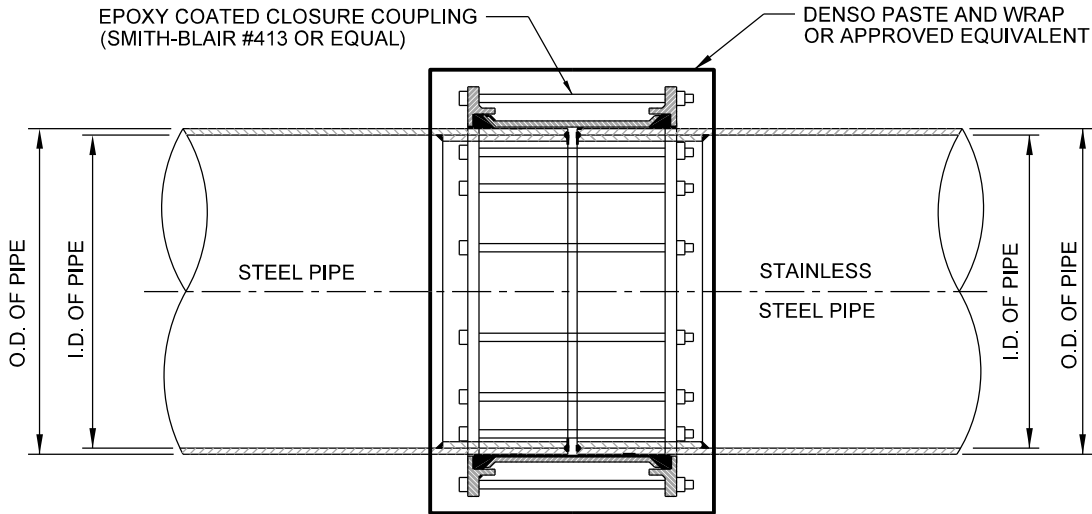
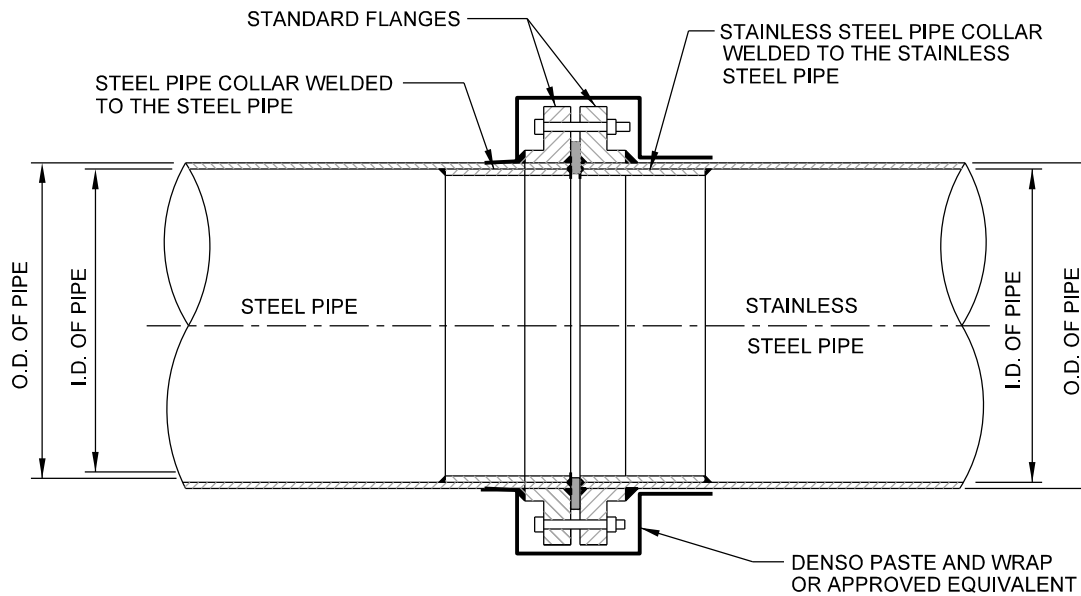


**A - RESTRAINED, BUTT WELDED (SEE DWG. No. T-1110.04-1)**



**B - UNRESTRAINED - LOW RISK**



**C - RESTRAINED, FLANGED**

**NOTE:**

1. THIS DRAWING IS APPLICABLE TO LARGE DIAMETER WATERMAINS SIZES 750 TO 2300 mm DIA.

All dimensions are in millimetres unless otherwise shown.



ENGINEERING & CONSTRUCTION SERVICES STANDARD DRAWING

REV 0

APR 2017

**STEEL PIPE CONNECTION  
TO STAINLESS STEEL PIPE**

**T-1110.03-5**

NTS

SHEET 1