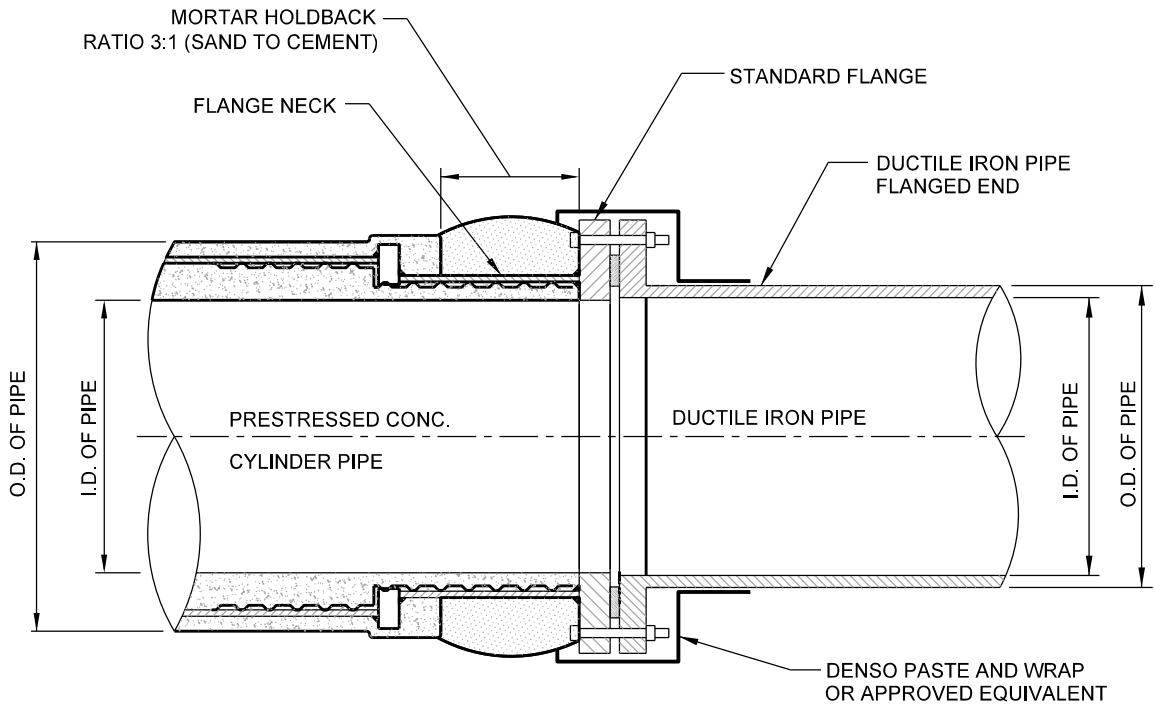


A - UNRESTRAINED - LOW RISK



B - RESTRAINED

NOTE:

1. THIS DRAWING IS APPLICABLE TO LARGE DIAMETER WATERMAINS SIZES 750 TO 2300 mm DIA.

All dimensions are in millimetres unless otherwise shown.



ENGINEERING & CONSTRUCTION SERVICES STANDARD DRAWING

REV 1

SEP 2017

**PRESSURE CONCRETE CYLINDER PIPE
CONNECTION TO DUCTILE IRON PIPE
OR CAST IRON PIPE**

T-1110.03-6

NTS

SHEET 1