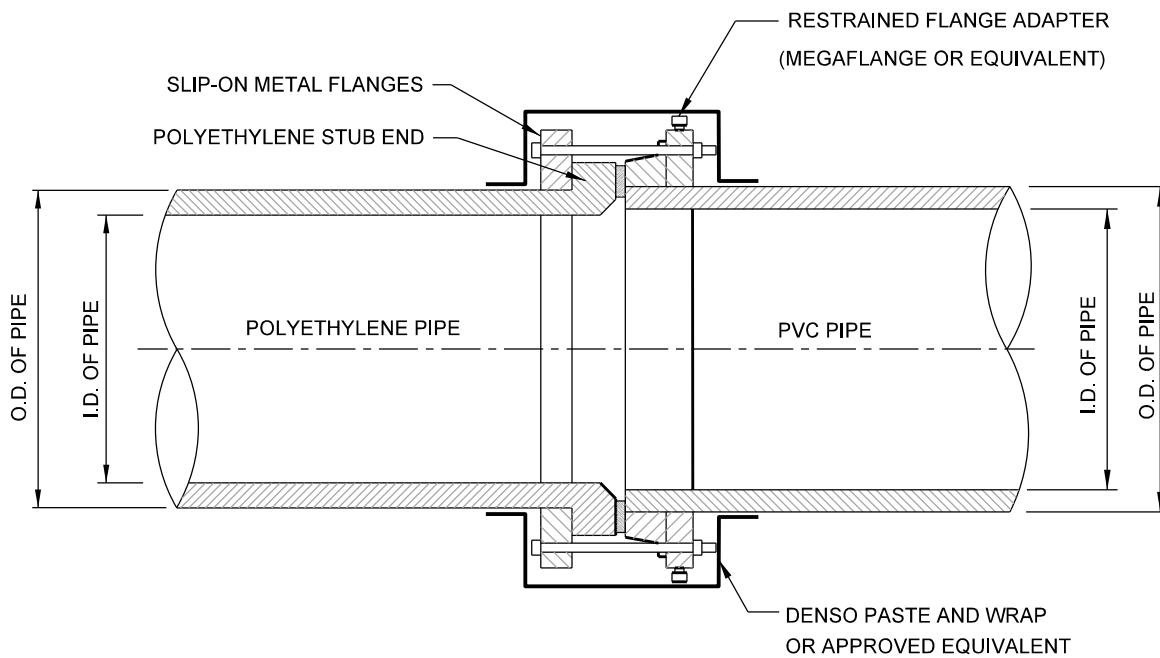


A - UNRESTRAINED - LOW RISK



B - RESTRAINED

NOTE:

1. THIS DRAWING IS APPLICABLE TO LARGE DIAMETER WATERMAINS SIZES 750 TO 2300 mm DIA.

All dimensions are in millimetres unless otherwise shown.



ENGINEERING & CONSTRUCTION SERVICES STANDARD DRAWING

REV 0

APR 2017

**POLYETHYLENE PIPE CONNECTION
TO PVC**

T-1110.03-12

NTS

SHEET 1