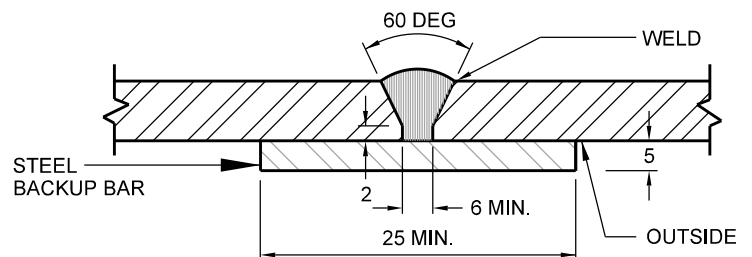
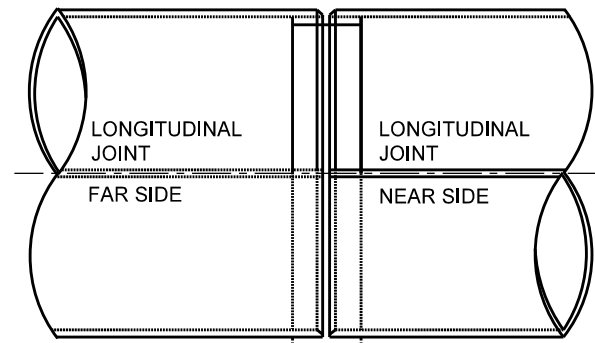
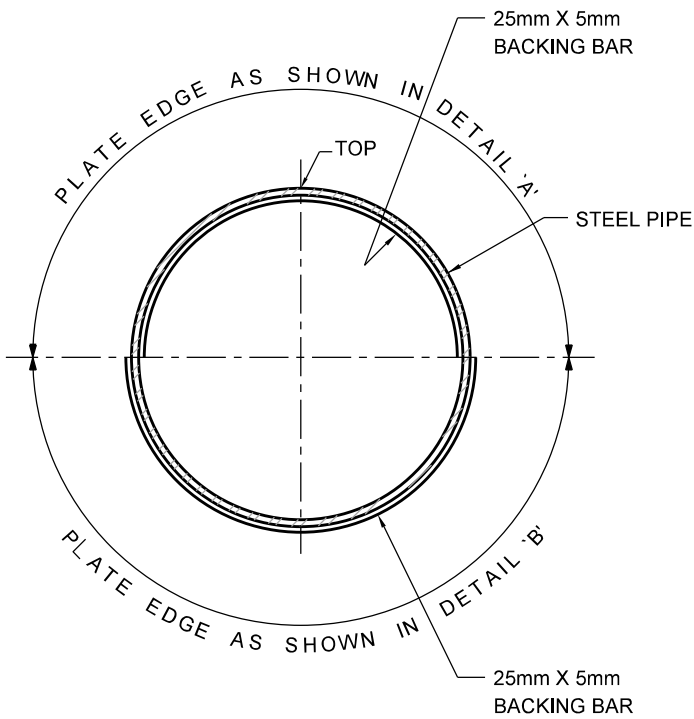


TOP HALF OF PIPE TO HAVE OUTSIDE BEVEL

DETAIL OF BEVEL END

DETAIL



BOTTOM HALF OF PIPE TO HAVE INSIDE BEVEL

DETAIL OF BEVEL END

DETAIL



All dimensions are in millimetres unless otherwise shown.



ENGINEERING & CONSTRUCTION SERVICES STANDARD DRAWING

REV 0

APR 2017

**STEEL PIPE WELDING DETAIL
BUTT-JOINT**

T-1110.04-1

NTS

SHEET 1