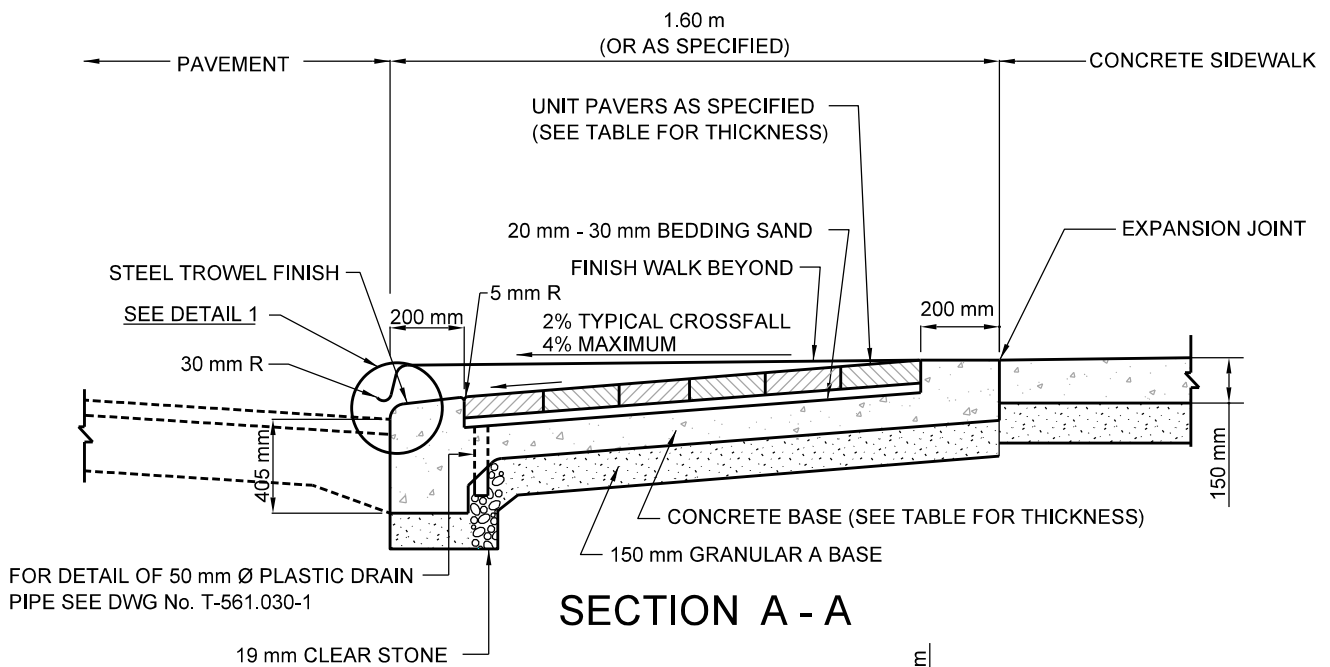
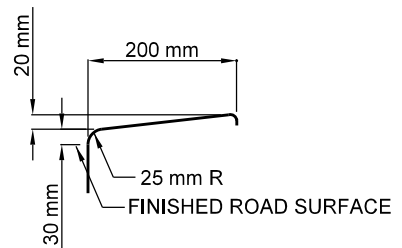


### PLAN



### SECTION A - A



### DETAIL 1

RAMP	THICKNESS	
	RESIDENTIAL	COMMERCIAL
CONCRETE BASE	100 mm OR AS SPECIFIED	125 mm OR AS SPECIFIED
CONCRETE PAVERS	70 mm OR AS SPECIFIED	80 mm OR AS SPECIFIED
GRANITE PAVERS	50 mm OR AS SPECIFIED	AS SPECIFIED

All dimensions are in millimetres unless otherwise shown.



ENGINEERING & CONSTRUCTION SERVICES STANDARD DRAWING

REV 5

NOV 2016

## VEHICULAR CROSSING OF SIDEWALK WITH UNIT PAVER INSTALLATION

T-310.050-2

NTS

SHEET 1